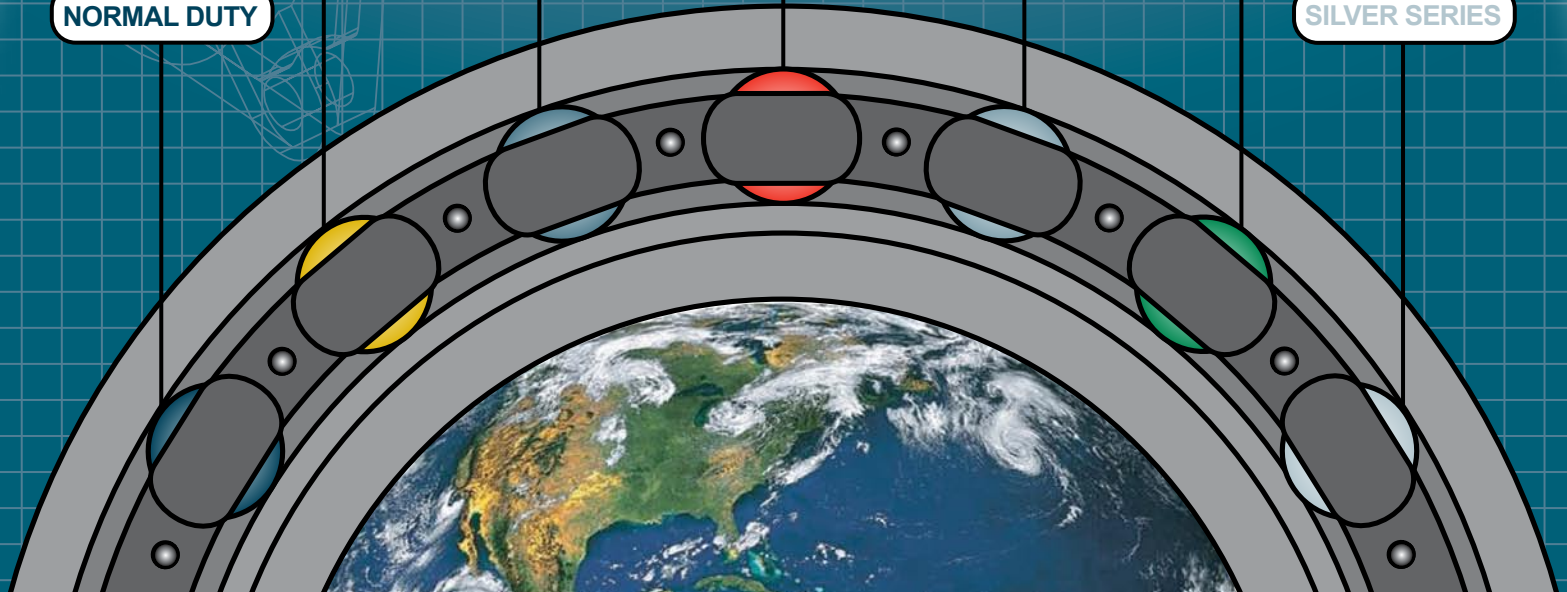
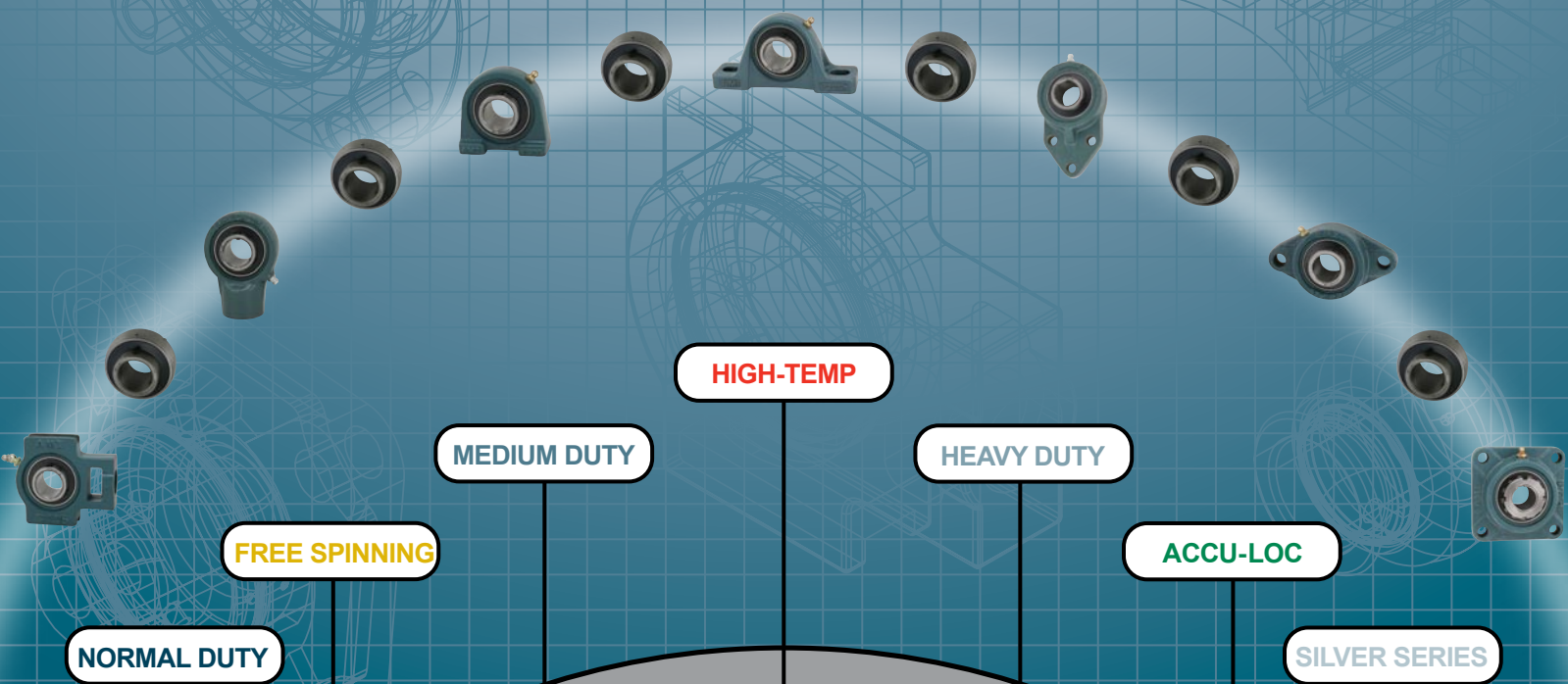


AMI Bearings, Inc.

an **ASAHI** company

Mounted Bearing Units

Phone: (800) 882-8642 • www.amibearings.com • Fax: (847) 759-0630





Fully self-aligning



Grease fitting for relubrication



Set-screw mount shown (also available with adapter sleeves, eccentric and concentric locking collars)



Single row deep groove ball bearing with riveted steel cage standard



Sturdy one piece cast iron housing, solid base pillow blocks

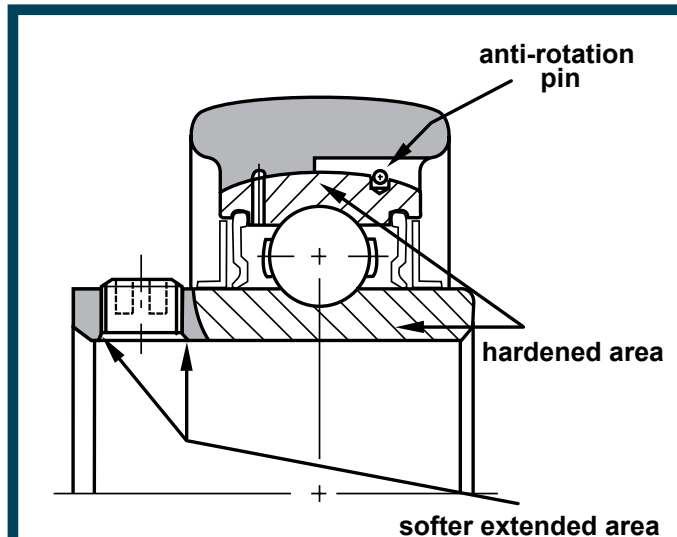
These consist of single row deep groove ball bearings; using world renowned **ASAHI**[®] brand quality bearings manufactured by Asahi Seiko Co., Ltd., Japan, and cast iron, malleable or ductile cast iron, pressed steel, stainless steel or thermoplastic housings of various configurations.

The self-contained bearing features a spherical ground outside diameter bearing that is assembled into a corresponding spherical housing seat, providing full self-alignment of the bearing unit.

A set-screw locking mechanism is shown in the bearing cutaway above; this is the most popular method of locking the bearing insert onto a shaft. Bearings with adapter sleeves, eccentric and concentric locking collars are also available.

For set-screw locking types, the inner ring of the self-contained bearing is hardened in the raceway and surrounding areas, where hardening is necessary, while the extended part where the set-screws are located is left metallurgically softer and slightly more flexible. This special heat treatment method ensures maximum bearing performance, while preventing the setscrews from loosening during operation, because the setscrews can be tightened as needed without causing destructive inner ring cracking.

ASAHI[®] is a registered trademark of Asahi Seiko Co., Ltd., Japan; Accu-Loc[®] is a registered trademark of AMI Bearings, Inc.; Browning is a registered trademark of Emerson Power Transmission Manufacturing L.P.; Dodge is a registered trademark of Baldor Electric Company; Fafnir is a registered trademark of The Timken Company; FYH is a registered trademark of Nippon Pillow Block MFG. Co.; Hub City is a registered trademark of Regal Beloit Corp.; IPTCI is a registered trademark of a Paul E. Robey Company; Link-Belt is a registered trademark of Rexnord Corporation; MB is a registered trademark of Rexnord Corporation; MRC/SKF is a registered trademark of SKF USA Inc.; NTN is a registered trademark of NTN Corporation of Japan; SealMaster is a registered trademark of Emerson Power Transmission Manufacturing L.P.



NOMENCLATURE						
Interchange by Manufacturer					6	
INTERCHANGE INFORMATION						
Prefix and Suffix Nomenclature					11	
Description	Series #	Locking Style	Dimensional Unit of Measurement	Housing Material	Page	
NORMAL DUTY UNITS						
Pillow Block	UCP200	Set-Screw (wide)	Inch & Metric	Cast Iron	13	
	UGP200	Eccentric (wide)	Inch & Metric		14	
	BP200	Set-Screw (narrow)	Inch & Metric		15	
	KHP200	Eccentric (narrow)	Inch & Metric		15	
	UKP200+H	Adapter Sleeve	Inch & Metric		16	
	UGAKH200	Eccentric (wide)	Inch & Metric		17	
Low Base Pillow Block	UCLP200	Set-Screw (wide)	Inch & Metric		18	
	BLP200	Set-Screw (narrow)	Inch & Metric		19	
	KHLP200	Eccentric (narrow)	Inch & Metric		19	
	UGAK200	Eccentric (wide)	Inch & Metric		20	
Expansion Pillow Block	UCEP200	Set-Screw (wide)	Inch & Metric		21	
Pillow Block	UCSP200	Set-Screw (wide)	Inch & Metric		22	
	BLLP200	Set-Screw (narrow)	Inch & Metric		23	
	KHLLP200	Eccentric (narrow)	Inch & Metric		23	
	BPW200	Set-Screw (narrow)	Inch & Metric		24	
	KHPW200	Eccentric (narrow)	Inch & Metric		24	
	Pressed Steel Pillow Block	BPR200	Set-Screw (narrow)		Inch & Metric	Malleable Cast
KHPR200		Eccentric (narrow)	Inch & Metric		Pressed Steel	25
BPP200		Set-Screw (narrow)	Inch & Metric	26		
KHPP200		Eccentric (narrow)	Inch & Metric	26		
Tap Base Pillow Block	UCTB200	Set-Screw (wide)	Inch	Cast Iron	27	
	UCPA200		Metric		27	
	BSHE200	Set-Screw (narrow)	Inch & Metric		28	
	KHSHE200	Eccentric (narrow)	Inch & Metric		28	
	UGSHE200	Eccentric (wide)	Metric		28	
	UCSHE200	Set-Screw (wide)	Metric		28	
Pedestal Base Pillow Block	UCPH200	Set-Screw (wide)	Inch & Metric	29		
Two-Bolt Adjustable Flange	UCFA200	Set-Screw (wide)	Inch & Metric	Cast Iron	30	
	UCFL200		Inch & Metric		31	
Two-Bolt Flange	UCFT200	Set-Screw (wide)	Inch & Metric		32	
	BFT200		Set-Screw (narrow)		Inch & Metric	33
	KHFT200	Eccentric (narrow)	Inch & Metric		33	
	UGFJT200	Eccentric (wide)	Inch & Metric		34	
	UGCJTZ200		Inch & Metric		35	
Piloted Two-Bolt Flange	BLFL200	Set-Screw (narrow)	Inch & Metric		36	
	KHLFL200	Eccentric (narrow)	Inch & Metric		36	
	BFX200	Set-Screw (narrow)	Inch & Metric		Malleable Cast	37
	KHFX200	Eccentric (narrow)	Inch & Metric	37		
	BLCTE200	Set-Screw (narrow)	Inch & Metric	38		
	Pressed Steel Two-Bolt Flange	KHLCTE200	Eccentric (narrow)	Inch & Metric	38	
BPFL200		Set-Screw (narrow)	Inch & Metric	39		
KHPFL200		Eccentric (narrow)	Inch & Metric	39		
Three-Bolt Flange Bracket	UCFB200	Set-Screw (wide)	Inch	Cast Iron	40	
	UCFK200		Metric		40	
Three-Bolt Flange	BTM200	Set-Screw (narrow)	Inch	Malleable Cast	41	
	KHTM200	Eccentric (narrow)	Metric		41	
	BPF200	Set-Screw (narrow)	Inch & Metric	Pressed Steel	42	
	KHPF200	Eccentric (narrow)	Inch & Metric		42	
	BPFT200	Set-Screw (narrow)	Inch & Metric		43	
	KHPFT200	Eccentric (narrow)	Inch & Metric		43	
Four-Bolt Flange	UCLF200	Set-Screw (wide)	Inch	Cast Iron	44	
	UCF200		Inch & Metric		44	
	KHLF200	Eccentric (narrow)	Inch & Metric		45	
	KHF200		Inch & Metric		45	
	UGSLF200	Eccentric (wide)	Inch & Metric		46	
	UKF200+H	Adapter Sleeve	Inch & Metric		47	
	UGGFDR200	Eccentric (wide)	Inch & Metric		Malleable Cast	48
	Piloted Flange Cartridge	UCFC200	Set-Screw (wide)		Metric	Cast Iron
UCFCS200		Inch & Metric		50		
UCFCF200		Inch & Metric		51		
BME200		Set-Screw (narrow)	Metric	52		
KHME200		Eccentric (narrow)	Metric	52		
UGME200		Eccentric (wide)	Metric	52		

Description	Series #	Locking Style	Dimensional Unit of Measurement	Housing Material	Page		
NORMAL DUTY UNITS							
Piloted Flange Cartridge	UCME200	Set-Screw (wide)	Metric	Cast Iron	52		
Cartridge	UCLC200		Inch		53		
	UCC200		Metric		53		
Cylindrical Rubber Cartridge	BRRCSM200	Set-Screw (narrow)	Inch & Metric	Rubber	54		
	KHRRCSM200	Eccentric (narrow)	Inch & Metric		54		
Wide Slot Take-Up	UCST200	Set-Screw (wide)	Inch	Cast Iron	55		
	UCT200		Metric		56		
Narrow Slot Take-Up	UCNST200		Inch		57		
Hanger Bearing	UCECH200	Set-Screw (wide)	Inch & Metric		58		
NORMAL DUTY UNITS WITH PRESSED STEEL COVERS							
Pillow Block w/cover	UCP200C(CE)	Set-Screw (wide)	Metric	Cast Iron	59		
	UCLP200C(CE)		Metric		59		
Two-Bolt Flange w/cover	UCFL200C(CE)		Metric		59		
Four-Bolt Flange w/cover	UCF200C(CE)		Metric		59		
Piloted Flange Cartridge w/cover	UCFC200C(CE)		Metric		59		
Wide Slot Take-Up w/cover	UCST200C(CE)		Metric		59		
NORMAL DUTY UNITS WITH CAST IRON COVERS							
Pillow Block w/cover	CUCP200C(CE)	Set-Screw (wide)	Metric	Pressed Steel	60		
Two-Bolt Flange w/cover	CUCFL200C(CE)		Metric		60		
Four-Bolt Flange w/cover	CUCF200C(CE)		Metric		60		
Piloted Flange Cartridge w/cover	CUCFC200C(CE)		Metric		60		
Wide Slot Take-Up w/cover	CUCT200C(CE)		Metric		60		
ACCU-LOC UNITS							
Pillow Block	UEP200	Concentric	Inch & Metric	Cast Iron	62		
Low Base Pillow Block	UELP200		Inch & Metric		63		
Tap Base Pillow Block	UETB200		Inch		64		
	UEPA200		Metric		64		
Two-Bolt Flange	UEFT200		Inch & Metric		65		
	UELFL200		Inch & Metric		66		
	UETFT200		Inch & Metric		67		
	UEFX200		Inch & Metric		68		
Three-Bolt Flange	UETM200		Inch & Metric		Malleable Cast	69	
Three-Bolt Flange Bracket	UEFB200		Inch		Cast Iron	70	
	UEFK200		Metric			70	
Four-Bolt Flange	UEF200		Inch & Metric		71		
Piloted Flange Cartridge	UEFCS200		Inch & Metric		Cast Iron	72	
	UELC200		Inch			73	
Cartridge	UEC200		Metric		73		
	UEST200		Inch		74		
Wide Slot Take-Up	UET200		Metric		74		
	UEECH200		Inch & Metric		75		
MEDIUM DUTY UNITS							
Pillow Block	UCPX00		Set-Screw (wide)		Inch & Metric	Cast Iron	77
	UKPX00+H		Adapter Sleeve		Inch & Metric		78
Two-Bolt Flange	UCFLX00		Set-Screw (wide)		Inch & Metric		79
	UCFX00				Inch & Metric		80
Four-Bolt Flange	UKFX00+H		Adapter Sleeve		Inch & Metric		81
	UCFCSX00		Set-Screw (wide)		Inch		82
Piloted Flange Cartridge	UCFCX00	Metric		82			
	Wide Slot Take-Up	UCTX00	Set-Screw (wide)	Inch & Metric	83		
HEAVY DUTY UNITS							
Pillow Block	UCP300	Set-Screw (wide)	Inch & Metric	Cast Iron	85		
	UGP300	Eccentric (wide)	Inch & Metric		86		
	UKP-U300+H	Adapter Sleeve	Inch		87		
	UGP-U300	Eccentric (wide)	Inch & Metric		88		
	UCP-U300	Set-Screw (wide)	Inch & Metric		89		
Expansion Pillow Block	UGPE-U300	Eccentric (wide)	Inch & Metric		90		
	UCPE-U300	Set-Screw (wide)	Inch & Metric		91		
Pillow Block	UGAO300	Eccentric (wide)	Inch & Metric		92		
	UCAO300	Set-Screw (wide)	Inch & Metric		93		
	UGSAO300	Eccentric (wide)	Inch & Metric		94		
	UCSAO300	Set-Screw (wide)	Inch & Metric	95			
	UKP300+H	Adapter Sleeve	Inch & Metric	96			
Two-Bolt Flange	UCFL300	Set-Screw (wide)	Inch & Metric	97			
Four-Bolt Flange	UCF300	Set-Screw (wide)	Inch & Metric	98			
Piloted Four-Bolt Flange	UCFS300		Metric	99			
	UGF300		Eccentric (wide)	Inch & Metric	100		

Description	Series #	Locking Style	Dimensional Unit of Measurement	Housing Material	Page	
HEAVY DUTY UNITS						
Four-Bolt Flange	UCF-U300	Set-Screw (wide)	Inch & Metric	Cast Iron	101	
Expansion Four-Bolt Flange	UCFE-U300		Inch & Metric		102	
Four-Bolt Flange	UGCJO300	Eccentric (wide)	Inch & Metric		103	
	UCCJO300	Set-Screw (wide)	Inch & Metric		104	
	UKF300+H	Adapter Sleeve	Inch & Metric		105	
Take-Up	UCT300	Set-Screw (wide)	Metric		106	
Cartridge	UCC300		Metric		107	
SILVER SERIES COMPLETE UNITS						
Pillow Block	UP000	Eccentric (extra narrow)	Metric	ZDC Alloy	109	
	KP000	Set-Screw (extra narrow)	Metric		109	
Two-Bolt Flange	UFL000	Eccentric (extra narrow)	Metric		110	
	KFL000	Set-Screw (extra narrow)	Metric	110		
Pillow Block	MUP000	Eccentric (extra narrow)	Metric	ZDC Alloy with Electroless Chromate Finish	109	
Two-Bolt Flange	MUFL000		Metric	110		
ALL BEARING INSERT UNITS						
Normal Duty Ball Bearing	UC200	Set-Screw (wide)	Inch	—	112	
	UCW200		Inch		112	
	UC200		Metric		113	
	UCW200		Metric		113	
	UR200		Inch & Metric		114	
	UG200	Eccentric (wide)	Inch & Metric		115	
			UGW200		Inch	115
	B	Set-Screw (narrow)	Inch & Metric		116	
			BR		Inch & Metric	116
	KH200	Eccentric (narrow)	Inch & Metric		117	
			KHR200		Inch & Metric	117
	Cylindrical Normal Duty Ball Bearing	SER200	Set-Screw (wide)		Inch & Metric	118
	Normal Duty Ball Bearing	UK200+H	Adapter Sleeve		Inch & Metric	119
Accu-Loc Ball Bearing	UE200	Concentric	Inch & Metric	120		
Cylindrical Accu-Loc Ball Bearing	SUE200		Inch & Metric	121		
Medium Duty Ball Bearing	UCX00	Set-Screw (wide)	Inch & Metric	122		
	UKX00+H	Adapter Sleeve	Inch & Metric	123		
Heavy Duty Ball Bearing	UC300	Set-Screw (wide)	Inch & Metric	124		
	UG300	Eccentric (wide)	Inch & Metric	125		
	UK300+H	Adapter Sleeve	Inch & Metric	126		
Silver Series Ball Bearing	U000	Eccentric (narrow)	Metric	127		
	URE000		Inch	127		
	K000	Set-Screw (extra narrow)	Metric	127		
	MU000	Eccentric (extra narrow)	Metric	127		
FREE-SPINNING BEARINGS						
Free-Spinning Bearing Units					128	
HIGH-TEMPERATURE UNITS						
High Temperature Bearing Units					130	
TECHNICAL INFORMATION						
Materials					132	
Tolerances					133	
Bearing Mounting					134	
Recommended Tightening Torque					138	
Lubrication					139	
Load Capacity and Life of Bearings					141	
Accu-Loc vs. Set-Screws					143	
COMPANY INFORMATION						
Terms & Conditions of Sale					144	
Limited Warranty					145	
Literature Request					146	
Company Profile					147	

AMI Part #	Browning	Dodge	Fafnir	FYH	HUB CITY	INA	IPTCI	Link-Belt	MB	MRC/SKF	NTN	Sealmaster
PILLOW BLOCKS												
BLLP5-16	VSPL-116	P2B-VSCB-100	SAK1	SBP205-16	PB100x1	PAKY1	SBP205-16	PL3-S216N			ASBP205-100	VPL-16
BLP5-16	VPS-116	P2B-VSC-100	SAS1	SBP205-16	PB100Lx1	PASEY1	SBP205-16					VP-16
BPP5-16				SBPP205-16F	PB100Sx1	PBY1			PS-25-1		ASPP205-100	SSP-16
BPPL5-16MZCEW								KP-S216DC				
BPPL5-16MZCW								KP-S216D				
BPPL5-16MZ2W								KP-S216				
BPR5-16	SSRPS-116										ASRPP205-100	LP-16
BPW5-16	VPS-116M		GPSD1		PB150x1							
KHLLP200												
KHLP205-16	VPL-116	P2B-SXVB-100	VAK1		PB220x1	PAK1		PL3-W216U			AELPB205-100	VPL-16
KHP205-16	VPE-116	P2B-SXV-200	VAS1		PB221x1	PASE1		P3-W216U			AELPL205-100	VP-16E
KHPP205-16	SSPE-116	P2B-SLX-100	PB1	SAPP205-16F		PB1					AELP205-100	SSP16E
KHPR205-16	SSRPE-116		RPB1			RPB1					AELRPP205-100	LRP-16
KHPW205-16	VPE-116M											LP-16E
MUCP205-16	SPS-S216			UCSP205-16S6H1	PB251STWx1		SUCSP205-16				F-UCFPM205-100	CRPS-PN216
MUCP205-16NP							SUCNPP205-16					
MUCPPL205-16CEW	CPS-S216 ECC											CRPC-PN16 ECC
MUCPPL205-16CW	CPS-S216 ECO				PB251CTWx1 CPOC							CRPC-PN16 ECO
MUCPPL205-16W	CPS-S216			UCP205-16S6PL	PB251CTWx1		SUCTP205-16				F-UCPR205-100D1	CRPC-PN16
MUCPPWS205-16				UCPP205-16S6H1								
UCEP205-16		P2B-SCH-100-E	RAKHL1									
UCLP205-16	VPLS-216	P2B-SCB-100	YAK1	SL205-16	PB250Wx1	RAKY1	UCPL205-16	PL3-U216N			UCPL205-100D1	EMP-16
UCMP205-16MZZ		P2B-SCEZ-100-SH										NPL-16
UCP205-16	VPS-216	P2B-SC-100	YAS1	UCP205-16	PB251Wx1	RASEY1	UCP205-16	P3-U216N			UCP205-100D1	BP-16
UCP205-16NPMZZ			YAS1NT		PB271WZx1		B/C UCNP205-16					NP-16
UCP205-16TCMZZ		P2B-SCTC-100-CR						WP3-S2216E				
UCP305-16				UCP305-16							UCP305-100D1	
UCPEU306-19								PE-U319				
UCPH205-16				UCPH205-16							UCUP205-100D1	
UCPPL205-16MZCEW	CPS-Z216 ECC	P2B-SCEZ-100-PCR ECC										
UCPPL205-16MZ2CW	CPS-Z216 ECO	P2B-SCEZ-100-PCR ECO										
UCPPL205-16MZ2W	CPS-Z216	P2B-SCEZ-100-PCR	YAS1PT				B/C UCTP205-16					
UCPPL205-16W	CPS-216	P2B-SCEZ-100-P										NP-16C-CR
UCPU306-19								P-U339				
UCPX05-16	VPS-316	P2B-SCM-100	YASM1	UCPX05-16	PB350x1		UCPX05-16				UCPX05-100D1	MP-16
UCSP205-16												SP-16
UEL205												NPL205TM
UEL205-16	VPLB-216	P2B-DLB-100										NPL-16T
UEL205-16NP												NP205TM
UEP205-16	VPB-216	P2B-DL-100	RASC1									NP-16-T
UEP205-16NP												
UEPPL205-16MZ2W												CRPC-PN16T
UGAK205-16	VPLE-216	P2B-DL-100-PCR	RAK1	NAPK205-16	PB220Wx1	RAK1	NAPL205-16	PL3-Y216L			UUELPL205-100D1	RPL-16
UGAKH205-16		P2B-SXRB-100	RAKH1									
UGAO307-23			RAO x 2-7/16									
UGP205-16	VPE-216	P2B-SXR-100	RAS1	NAP205-16	PBZZ1Wx1	RASE1	NAP205-16	PLY-339N			UUEL205-100D1	RP-16E
UGP305-16								P3-Y216N				
UGPEU307-23								PE-Y339				
UGP307-23								P-Y339				
UGSAO307-23								P2-U339				
UKP206+HE2306			RSO x 27/16	UKP206+HE2306								

AMI Part #	Browning	Dodge	Fafnir	FYH	HUB CITY	INA	IPTCI	Link-Belt	MB	MRC/SKF	NTN	Sealmaster
UKP306+HEZ306				UKP306+HEZ306								
UKPU310+HE2310				UKPX06+HEZ306				P-U3K27				
UKPX06+HEZ306												
TAKE UP												
MUCNST205-16NP				UCTRS205-16S6PL			SUCNPTRS205-16			CTN100SS		
MUCNTPL205-16W				UCST205-16S6H1			SUCNPT205-16			STW100SS		
MUCST205-16NP				UCT205-16S6PL			SUCST205-16			CTW100SS		BST-16
MUCT205-16												
MUCWTP205-16W				UCTRS205-16E	TU250Wx1		B/C UCNPTRS205-16					
MUCMT205-16MZZ												
UCNST205-16												
UCNST205-16NPMZZ												
UCNTPL205-16MZZW		NSTU-SCEZ-100-PCR		UCT205-16E	WSTU250Wx1	RTUEY1	UCT205-16	TH3-U216N	TC-25-1	CTN100ZM		
UCST205-16	VTWS-216	WSTU-SC-100	YTU1	UCT205-16E			B/C UCNP205-16	TH3-S216EK75	NTC-25-1	TYB1TF		ST-16
UCST205-16NPMZZ											UCT205D1	
UCT205				UCT205								
UCT305-16				UCT305-16								
UCTPL205-16MZZW		WSTU-SCEZ-100-PCR	YTU1PT									CRST-16
UCTX05-16	VTWS-316	WSTU-SCM-100	YTUM1	UCTX05-16E			UCTX05-16	WTH-S216E	TC-35-1	TBYM1TF	UCTX05-100D1	MST-16
UCWTP205-16MZZW		WSTU-SCEZ-100-PCR										ST-16C-CR
UENTPL205-16MZZW		NSTU-DL-100-CR										
UEST205-16		WSTU-DL-100										ST-16T
UEST205-16NP												
UET205												ST205TMC
UEWTP205-16MZZW		WSTU-DL-100-PCR										ST-16TC-CR
TAP BASE												
KHSHE205						PSHEZ25-N						
MUCTB205-16				UCPAN205-16S6H1	TPB250STWx1		SUCSPA205-16			STB100SS		
MUCTB205-16NP							SUCNPPA205-16					
MUCTBL205-16CEW	CTBS-S216 ECC				TPB250CTWx1 CPOC							CRBTC-PN16 ECC
MUCTBL205-16CW	CTBS-S216 ECO				TPB250CTWx1 CPOC							CRBTC-PN16 ECO
MUCTBL205-16W	CTBS-S216			UCPAN205-16S6PL	TPB250CTWx1					CTB100SS		CRBTC-PN16
UCMTB205-16MZZ											UCUP205-D1	BTB-16
UCPA205				UCPA205								
UCSHE205						RSHEY25-N						
UCTB205-16	VTBS-216	TB-SC-100	STB1	UCPAN205-16	TPB250Wx1	RSHEY1	UCPA205-16	PT3-U216N	TBC-25-1			TB-16
UCTB205-16NPMZZ										ZTB100ZM		
UCTBL205-16MZZCEW	CTBS-Z216 ECC	TB-SCEZ-100-PCR ECC					B/C UCNP205-16					
UCTBL205-16MZZCW	CTBS-Z216 ECO	TB-SCEZ-100-PCR ECO										
UCTBL205-16MZZW	CTBS-Z216	TB-SCEZ-100-PCR										
UCTBL205-16W	CTBS-216	TB-SCEZ-100-P								CTB100ZM		TB-16C-CR
UEPA205												TB205TMC
UETB205-16	VTBB-216	TB-DL-100										TB-16T
UETB205-16NP												
UETBL205-16MZZW		TB-DL-100-CR										
BEARING INSERT												
BR5-16	VS-116	INS-VSC-100	YA100RRB	SB205-16	B250x1	GAY100NPP-BAS2V	SB205-16G	SG216EL			AS205-100	L-16
KH205-16	SLS-116	INS-SXV-100	RA100RRB	SA205-16F	B220x1	GRA100NPP-BAS2V	CSB205-16	SBG216EL	MSLN-16		ASS205-100	SL-16
KHR205-16	VE-116						SA205-16G	W216UL		YET205-100	AEL205-100	V-16E
MSER205-16	SLE-116			ER205-16S6		RAY100NPP	CSA205-16	WB216UL			AELS205-100	
MUC205-16	VS-S216			UC205-16S6PL	B250TWx1		SSER205-16				F-JC205-100D1	
MUC205-16RF							SUC205-16			RRH1100BRB		

AMI Part #	Browning	Dodge	Fafnir	FVH	HUB CITY	INA	IPTCI	Link-Belt	MB	MRC/SKF	NTN	Sealmaster
SER205				ER205			ER205					ER-205
SER205-16	VER-216		ER16	ER205-16			ER205-16	UBGL216NL	ER-16			ER-16
SER205-16FSX									ER-16-SFF			ERX-16 (LO, XLO)
SER205FSX												ERX205 (LO, XLO)
SUE205									ER-16K			ER-205TMC
SUE205-16									ER-16K-SFF			ER-16T
SUE205-16FSX												ERX-16T (LO, XLO)
SUE205FSX												ERX205TM (LO, XLO)
UC205												5205M
UC205-16	VS-216	INS-SC-100	GY1100KRB	UC205-16	YW250x1	GY1100-KRR-B-AS2V	UC205-16	UG216NL	MB-25-1-PA	YAR205-100-2F	UC205-100D1	2-1
UC205-16AH	VS-216AH											CR-16
UC205-16MZ2		INS-SC-100CR	GY1100KRBD0CF		YWZ250x1		B/C UC205-16			RRZ1100BRR	UC305-100D1	
UC305-16	VS-316	INS-SCM-100	GYM1100KRBB	UC305-16	B350x1		UCX05-16		MB-35-1-PA	YAR206-100-2F	UCX05-100D1	3-1
UCX05-16				UCX05-16					KMB-45-1-PA			5205TMC
UE205	VB-216	INS-DL-100										2-1T
UE205-16FSX												2-1T (LO, XLO)
UE205-16MZ20		INS-DL-100-CR										2-1TOR
UE205FSX												5205TM (LO, XLO)
UG205-16	VE-216	INS-SXR-100	G1100KRRB	NA205-16	YWZ20x1	G1100-KRR-B-AS2V	NA205-16	YG216NL		YEL205-100-2F	UEL205-100D1	R-16E
UG307-23			GN107KRRB								UEL307-107D1	
UK206+HE2306				UK206+HE2306							UK206D1+HE2306	
UK306+HE2306				UK306+HE2306								
UKX06+HE2306				UKX06+HE2306								
UR205-16								UBG216NL				
CARTRIDGE												
KHRRCSM205-16			RCSM1	UCC205		RCSMB1					UCC205	
UCC205				UCC305							UCC305	
UCLC205-16			RC1									SC-16
UEL205												SC205TMC
UEL205-16												SC-16T
2 BOLT FLANGE												
BFT205-16												LFT-16
BFX205-16	V2S-116M	LFT-SC-100	VFTD1		FB260x1	PCJTY1		FX-W216U			ASF205-100	
BLCTE205-16					FB160x1	FLCTEY1						
BLFL205-16												
BLFL205-16												
BLFL205-16												
BNFL5-16MZ2CEW	CF2S-Z216 ECC	F2B-SCEZ-100-POR-ECC		BLF205-16				KFX-S216DC		C2F100ZM EC	ASF205-100	CRFTC-PN16 ECC
BNFL5-16MZ2CW	CF2S-Z216 ECO	F2B-SCEZ-100-POR-ECO						KFX-S216D				CRFTC-PN16 ECO
BNFL5-16MZ2W								KFX-S216				
BPFL205-16	SSF2S-116	F2B-SL-100	VCJT1	SBPFL205-16	FB1105x1	RATY1		FX3-W216U	FPS2-25-1	FTP1	ASPFL205-100	SSFT-16
KHFT205-16	VF2E-116	F2B-SXV-100		SAPFL205-16	FB230x1	PCJT1	SALF205-16	FX-W216U		FYT1FM	AELFL205-100	VFT-16E
KHFL205-16	VF2E-116M	LFT-SXV-100	FLCT1				SALF205-16H4	FX-W216U			AELFD205-100	LFT-16E
KHFL205-16				ALF205-16		FLCTE1					AELFB205-100	
KHPFL205-16	SSF2E-116	F2B-SLX-100	RAT1	SAPFL205-16		RAT1	SALF205-16	52MST216		FT1FM	AELPFL205-100	SSFT-16E
MBNFL205-16CEW	CF2S-S216 ECC				FB250CTWx1 CPOC					C2F100S5 EC		
MBNFL205-16CW	CF2S-S216 ECO				FB250CTWx1 CPOC							
MUCFL205-16				UCSFL205-16S6H1	FB280STWx1		SUCSFL205-16			S2F100SS	F-UCFM205-100	CRFTS-PN16
MUCFT205-16NP				UCFL205-16S6PL	FB250CTWx1		SUCNPL205-16					
MUCNFL205-16W	CF2S-S216									C2F100SS	F-UCFL205-100D1	CRFTC-PN16
PFL5												
PFT5												

AMI Part #	Browning	Dodge	Fafnir	FYH	HUB CITY	INA	IPTCI	Link-Belt	MB	MRC/SKF	NTN	Sealmaster
UCFA205-16				UCFA205-16		PSFT1					UCFA205-100D1	
UCFL205-16				UCFL205-16							UCFL205D1	
UCFL305-16				UCFL305-16							UCFL305-100D1	
UCFLX05-16	VF2S-316	F2B-SCM-100	YCJTM1	UCFLX05-16			UCFLX05-16		FC2-35-1	FYTM1TF	UCFLX05-100D1	MSFT-16
UCFT205-16	VF2S-216	F2B-SC-100	YCJT1	UCFL205-16	FB260WX1	RCJTY1	UCFL205-16	FX3-U216N	FC2-25-1	FYTB1TR	UCFL205-100D1	SFT-16
UCFT205-16NPMZ2			YCJT1NT	UCFL205-16	FB280HWZx1		B/C UCNPFL205-16	WFX3-S216E	NFC2-25-1	ZZF100ZM		
UCFT205-16TCMZ2		F2B-SCTC-100-CR										BFT-16
UCMFL205-16MZ2		F2B-SCEZ-100-SH										SFT-16C-CR
UCNFL205-16MZ2W	CF2S-Z216	F2B-SCEZ-100-PCR	YCJT1PT									SFT205TM
UCNFL205-16W	CF2S-216	F2B-SCEZ-100-P										SFT-16T
UEFT205												
UEFT205-16	VF2B-216	F2B-DL-100										
UEFT205-16NP												
UEFX205-16		LFT-DL-100										
UELFL205-16												
UENFL205-16MZ20W		F2B-DL-100-PCR										
UETM205-16		LF-DL-100										
UGCJT205-16		F2BZ-SXR-100										
UGFJT205-16	VF2E-216	F2B-SXR-100	RCJT1	NANFL205-16	FB230WX1	RCJTZ1	NANFL205-16			FYT1VM	UELFLU205-100D1	RFT-16E
UKFL206+HEZ306				UKFL206+HEZ306								CRFTC-PN16T
UKFL306+HEZ306				UKFL306+HEZ306								TFT-16T
UKFLX06+HEZ306				UKFLX06+HEZ306								
3 BOLT FLANGE												
BPF205-16	SSF3S-116	F3B-SL-100		SBPF205-16	FB100SX1	RAY1			FPS3-25-1		ASPPF205-100	SSF-16
BPF205-16	SSF3TS-116					RATRY1			TFPS-25-1			TSSF-16
BTM205-16	VF3S-116M	LF-SC-100			FB150X1	RA1	SBRFB205-16	F-W216U				LF-16
KHPF205-16	SSF3E-116	F3B-SLX-100	RA1	SAPPF205-16		RATR1		52MSC216		F1FM	AELPF205-100	SSF-16E
KHPFT205-16	SSF3TE-100		RATR1			RATR1		52MSTR216				TSSF-16E
KHTM205-16	VF3E-116M	LF-SXV-100	VFD1				SARFB205-16	F-W216U				LF-16E
MBPFS-16				UCPF205-16S6H1								
MBPFTS-16				UCPFT205-16S6H1								
MUCFB205-16				UCSFB205-16S6H1			SUCSFB205-16					CRFBS-PN16
MUCFB205-16NP				UCSFB205-16S6H1			SUCNPFB205-16					
MUCFBL205-16W				UCFB205-16S6PPL			SUCTFB205-16			CBF100SS		
PF5-16								52MS-1				
UCFB205-16	VFB-216	FB-SC-100		UCFB205-16			UCFB205-16	FB3-U216N	MFB-25-1			FB-16
UCFB205-16NPMZ2							B/C UCNPFB205-16		NMFB-1			
UCFBL205-16MZ2CEW		FB-SCEZ-100-PCR ECC										
UCFBL205-16MZ2CW		FB-SCEZ-100-PCR ECO										
UCFBL205-16MZ2W		FB-SCEZ-100-PCR										CRFB-16
UCFBL205-16W		FB-SCEZ-100-P					B/C UCTFB205-16			CFB100ZM		FB-16-CR
UCFK205											UCFH205D1	
UCMFB205-16MZ2												BFB-16
UEFB205-16	VFB-216	FB-DL-100										FB16T
UEFB205-16NP												
UEFBL205-16MZ20W		FB-DL-100-CR										FB-16TC-CR
UEFK205												FB205TMC
4 BOLT FLANGE												
BF205-16	VF4S-116	F4B-VSC-100	SCJ1	SBF205-16	FB250X1	PCJY1	SBF205-16	F3-S216N				VF-16
BFPPL5-16MZ2CEW	CF4S-Z216 ECC	F4B-SCEZ-100-PCR ECC						KF-S216DC				CRFC-PN16 ECC
BFPPL5-16MZ2CW	CF4S-Z216 ECO	F4B-SCEZ-100-PCR ECO						KF-S216D		C4F100ZM EC		CRFC-PN16 ECO
BPL5-16MZ2W								KF-S216				
KHF205-16	VF-16E	F4B-SXV-100	VCJ1	SAF205-16	FB220X1	PCJ1		F3-W216U		FY1FM	AELF205-100D1	
MBFPL5-16CEW	CF4S-S216 ECC				FB250CTWX1 CPCC					C4F100SS EC		

AMI Part #	Browning	Dodge	Fafnir	FYH	HUB CITY	INA	IPTCI	Link-Belt	MB	MRC/SKF	NTN	Sealmaster
MBFPL5-16CW	CF4S-S216 ECO				FB250CTWx1 CPOC FB250STWx1					S4F100SS		CRFS-PN16
MUCF205-16		F4B-SCEZ-100-SHR		UCSF205-16S6H1			SUCNPF205-16					
MUCF205-16NP												
MUCFPL205-16W	CF4S-S216			UCF205-16S6PL	FB250CTWx1					C4F100SS		CRFC-PN16
UCF205-16	VF4S-216	F4B-SC-100	YCJ1	UCF205-16E	FB250WX1	RCJY1		F3-U216N	FC4-25-1 NFC4-25-1	FY1TF Z4F100ZM	UCF205-100D1	SF-16
UCF205-16NPMZZ					FB270HWZx1						UCF305-100D1	
UCF305-16				UCF305-16				FE-U339		C4F100ZM		
UCFEU312-39												
UCFPL205-16MZ2W	CF4S-Z216	F4B-SCEZ-100-PCR F4B-SCEZ-100-P										
UCFPL205-16W												
UCFS305				UCFS305							UCFS305D1	
UCFU312-39												
UCFX05-16	VF4S-316	F4B-SCM-100 F4B-SCEZ-100-SH	YCM1	UCFX05-16E	FB350x1			F-U339	FC4-35-1	FYM1TF	UCFX05-100D1	MSF-16
UCMF205-16MZZ												
UEF205-16	VF4B-216	F4B-DL-100										
UEFPL205-16MZ20W												
UGCJO312-39			RCJO x2-7/16									
UGSLF205-16	VF4E-216	F4B-SXR-100	RCJ1	NANF205-16 UKF206+HE2306	FB220WX1	RCJ1		F3-Y216N		FY1WF	UJELF205-100D1 UKF206D1+HE2306	RF-16E
UKF206+HE2306				UKF306+HE2306								
UKF306+HE2306				UKFX06+HE2306								
UKFX06+HE2306												
FLANGE CARTRIDGE												
KHME205						PMEZ5-N						
MUCFCS208-24NP							SUCNPFCS205-16					
UCFC205				UCFC205							UCFC205	
UCFCF205-16			RFC1	UCFCF205-16								
UCFCS208-24	VFCS-224	FC-SC-108							PFC4-25-1			SFC-24
UCFCS208-24NPMZZ							B/C UCNPFC208-24		NPFCA-25-1-12			
UCFCSX05-16	VFCS-316	FC-SCM-100		UCFCX05-16E	FC350x1				PFC4-35-1		UCFCX05-100D1	MFC-16
UCFCX05-16				UCFCX05-16								
UCME205												
UEFC208-24NP												
UEFCS208-24	VFCS-216	FC-DL-108										
UGGDR208-24			GRFD1-1/2						KPFC4-45-1-12			SFC-24T
HANGER												
MUCECH205-16NP							SUCNPHA205-16					
MUCHPL205-16W				UCHA205-16S6PL								
UCECH205-16			RHC1 (Accubc Style)	UCHA205-16EZ					MEHB-1		UCHB205-100D1	SEHB-16
UCECH205-16NPMZZ									NMEHB-1			
UEECH205-16		SCHB-DL-100										

52100 Steel, Wide Inner Ring,
Spherical, Set-Screw

Flange 2-Bolt, Cast Iron

1-Inch Bore

Nickel-Plate

C (open cover)
CE (closed cover)

UCFT205-16 =	UC	FT	205-16	NP	C(CE)
(COMPLETE UNIT)	(BEARING)	(HOUSING)	(BORE SIZE)	(COATING)	(COVERS)

COATINGS, COLORS AND COVERS

- BS..... Back Seal
- MZ2..... Zinc Coated Bearing Insert
- MZ20..... Kanigen Coated Bearing Insert
- NP..... Nickel-Plate (Copper Nickel Chrome)

BEARING INSERTS

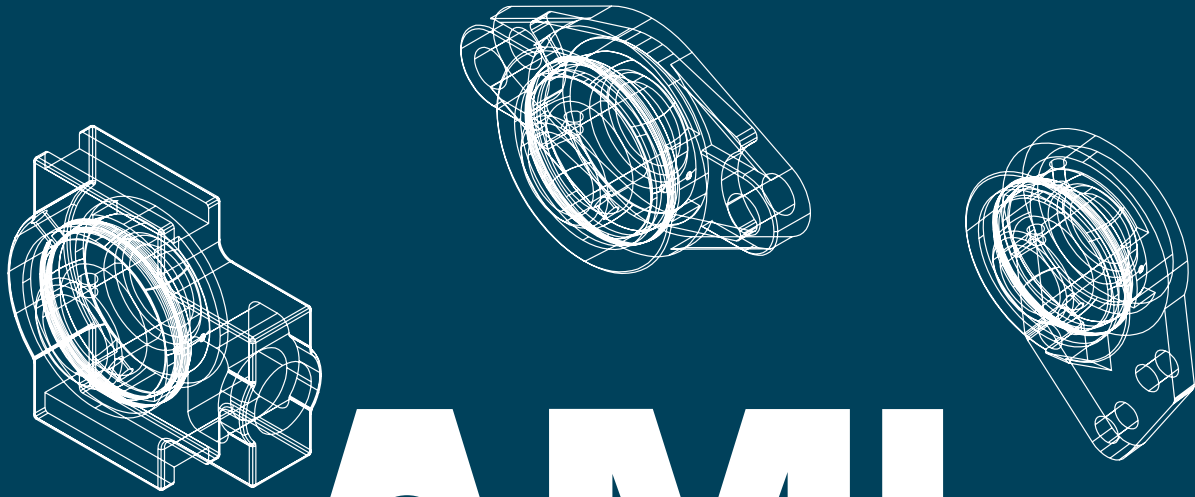
- UC..... 52100 Steel, Wide Inner Ring, Spherical, Set Screw
- UCW..... 52100 Steel, Wide Inner Ring, Spherical, Set Screw
- UR..... 52100 Steel, Wide Inner Ring, Cylindrical, Set Screw
- UE..... Black Oxide, Wide Inner Ring, Spherical, Accu-Loc
- SUE..... Black Oxide, Wide Inner Ring, Cylindrical with Snap Ring, Accu-Loc
- UCX..... 52100 Steel, Medium Duty, Wide Inner Ring, Spherical, Set Screw
- UG..... 52100 Steel, Wide Inner Ring, Spherical, Eccentric
- UGW..... 52100 Steel, Wide Inner Ring, Spherical, Eccentric
- B..... 52100 Steel, Narrow Inner Ring, Spherical, Set-Screw
- BR..... 52100 Steel, Narrow Inner Ring, Cylindrical, Set-Screw
- KH..... 52100 Steel, Narrow Inner Ring, Spherical, Eccentric
- KHR..... 52100 Steel, Narrow Inner Ring, Cylindrical, Eccentric
- SER..... 52100 Steel, Wide Inner Ring, Cylindrical w/snap ring, Set Screw
- UK..... 52100 Steel, Spherical, Adapter
- K000..... 52100 Steel, Extra Narrow Inner Ring, Set-Screw
- U000..... 52100 Steel, Extra Narrow Inner Ring, Eccentric
- MU000..... Stainless Steel, Extra Narrow Inner Ring, Eccentric

SERIES

- 200..... Normal Duty
- X00..... Medium Duty
- 300..... Heavy Duty
- 000..... Extra Light Duty

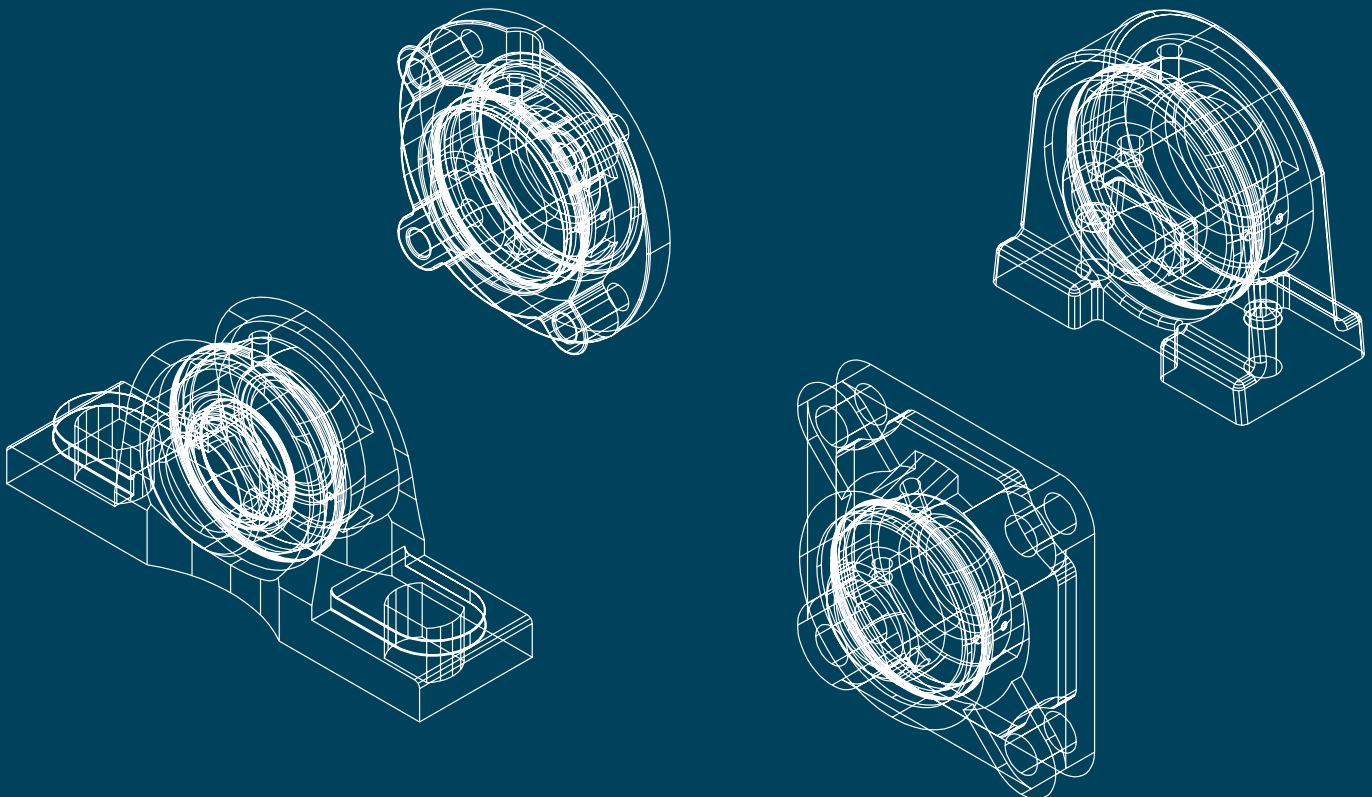
HOUSINGS

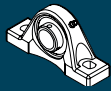
- FT2..... 2 Bolt Flange, Gray Cast Iron
- FL..... 2 Bolt Flange, Gray Cast Iron
- FJT..... 2 Bolt Flange, Gray Cast Iron
- CJTZ..... 2 Bolt Flange, Gray Cast Iron
- LFL..... Piloted 2 Bolt Flange, Gray Cast Iron
- FX..... 2 Bolt Flange, Malleable Cast
- LCTE..... 2 Bolt Flange, Malleable Cast
- PFL..... 2 Bolt Flange, Pressed Steel
- FA..... 2 Bolt Adjustable Flange, Gray Cast Iron
- NFL..... 2 Bolt Flange, Thermoplastic
- LF (204-205)..... 2 Bolt Flange, Thermoplastic, Round Bolt Hole
- LX (204-205)..... 2 Bolt Flange, Thermoplastic, Square Bolt Hole
- P200..... Pillow Block, Gray Cast Iron
- LP..... Low Base Pillow Block, Gray Cast Iron
- AK..... Low Base Pillow Block, Gray Cast Iron
- EP..... Expansion Type Pillow Block, Gray Cast Iron
- LLP..... Pillow Block, Gray Cast Iron
- PP..... Pillow Block, Pressed Steel
- PR..... Rubber Cushioned Pillow Block, Pressed Steel
- PW..... Pillow Block, Malleable Cast
- PPL..... Pillow Block, Thermoplastic
- TB..... Tap Base Pillow Block, Gray Cast Iron
- PA..... Tap Base Pillow Block, Gray Cast Iron
- TBL..... Tap Base, Thermoplastic
- PH..... Pedestal Base Pillow Block, Gray Cast Iron
- FB..... 3 Bolt Flange Bracket, Gray Cast Iron
- FK..... 3 Bolt Flange Bracket, Gray Cast Iron
- TM..... 3 Bolt Flange, Malleable Cast
- PF..... 3 Bolt Flange, Pressed Steel
- PFT..... 3 Bolt Flange, Pressed Steel
- FBL..... 3 Bolt Flange, Thermoplastic
- F..... 4 Bolt Flange, Gray Cast Iron
- LF..... 4 Bolt Flange, Gray Cast Iron
- SLF..... 4 Bolt Flange, Gray Cast Iron
- FPL..... 4 Bolt Flange, Thermoplastic
- FC..... Piloted Flange Cartridge, Gray Cast Iron
- FCS..... Piloted Flange Cartridge, Gray Cast Iron
- FCF..... Piloted Flange Cartridge, Gray Cast Iron
- ST..... Wide Slot Take-Up, Gray Cast Iron
- T..... Take-Up, Gray Cast Iron
- NST..... Narrow Slot Take-Up, Gray Cast Iron
- TPL..... Take Up, Standard Slot, Thermoplastic
- WTPL..... Take Up, Wide Slot, Thermoplastic
- NTPL..... Take Up, Narrow Slot, Thermoplastic
- ECH..... Hanger Bearing, Gray Cast Iron
- HPL..... Hanger, Thermoplastic
- LC..... Cartridge, Gray Cast Iron
- C..... Cartridge, Gray Cast Iron
- PX00..... Medium Duty Pillow Block, Gray Cast Iron
- FLX..... Medium Duty 2 Bolt Flange, Gray Cast Iron
- FX00..... Medium Duty 4 Bolt Flange, Gray Cast Iron
- FCSX..... Medium Duty Flange Cartridge, Gray Cast Iron
- FCX..... Medium Duty Flange Cartridge, Gray Cast Iron
- TX00..... Medium Duty Take-Up, Gray Cast Iron
- P300..... Heavy Duty Pillow Block, Gray Cast Iron
- P-U..... Heavy Duty Pillow Block, Gray Cast Iron
- PE-U..... Heavy Duty Expansion Pillow Block, Gray Cast Iron
- AO..... Heavy Duty Pillow Block, Gray Cast Iron
- SAO..... Heavy Duty Pillow Block, Gray Cast Iron
- FL300..... Heavy Duty 2 Bolt Flange, Gray Cast Iron
- F300..... Heavy Duty 4 Bolt Flange, Gray Cast Iron
- FS..... Heavy Duty 4 Bolt Flange with Pilot, Gray Cast Iron
- CJO..... Heavy Duty 4 Bolt Flange, Gray Cast Iron
- T300..... Heavy Duty Take-Up, Gray Cast Iron
- C300..... Heavy Duty Cartridge, Gray Cast Iron
- P000..... Silver Series, Pillow Block, Zinc Alloy
- FL000..... Silver Series, 2 Bolt Flange, Zinc Alloy
- ME..... Piloted Flange Cartridge, Gray Cast Iron
- SHE..... Tap Base Pillow Block, Gray Cast Iron
- RCSM..... Cartridge Unit, Rubber
- SP..... Pillow Block, Gray Cast Iron



AMI

Normal Duty



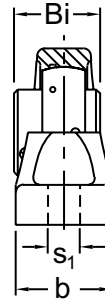
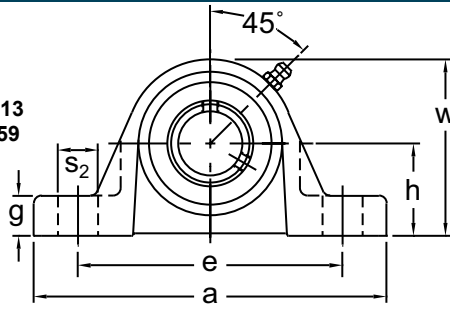


PILLOW BLOCKS

UCP 200

NORMAL DUTY

Set-Screw Locking
Wide Inner Ring
Cast Iron Housing
Insert Detail-pg.112-113
Covers Available-pg.59
Inch and Metric



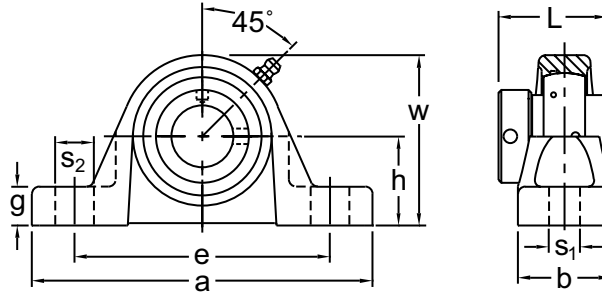
Shaft Diam. (in.)	AMI Unit #	List Price	Dimensions (in.)										Bolt Size (in.)	Bearing #	Housing #	Weight (lb.)
			h	a	e		b	s1	s2	g	w	Bi				
					Min.	Max.										
1/2	UCP201-8	44.50	1-3/16	5	3-3/8	4-1/8	1-1/2	1/2	3/4	19/32	2-7/16	1.220	3/8	UC201-8	P203T	1.43
5/8	UCP202-10													UC202-10		1.39
11/16	UCP203-11													UC203-11		1.37
3/4	UCP204-12	44.50	1-5/16	5	3-3/8	4-1/8	1-1/2	1/2	3/4	19/32	2-9/16	1.220	3/8	UC204-12	P204T	1.43
7/8	UCP205-14	49.00	1-7/16	5-1/2	3-3/4	4-1/2	1-1/2	1/2	3/4	5/8	2-3/4	1.339	3/8	UC205-14	P205T	1.74
15/16	UCP205-15	UC205-15														
1	UCP205-16	UC205-16														
1-1/16	UCP206-17	64.95	1-11/16	6-1/2	4-7/16	5-1/16	1-7/8	21/32	13/16	23/32	3-9/32	1.500	1/2	UC206-17	P206T	2.87
1-1/8	UCP206-18													UC206-18		
1-3/16	UCP206-19													UC206-19		
1-1/4	UCP206-20													UC206-20		
1-1/4	UCP207-20	75.45	1-7/8	6-9/16	4-11/16	5-5/16	1-7/8	21/32	13/16	3/4	3-11/16	1.689	1/2	UC207-20	P207T	3.53
1-5/16	UCP207-21													UC207-21		
1-3/8	UCP207-22													UC207-22		
1-7/16	UCP207-23													UC207-23		
1-1/2	UCP208-24	89.40	1-15/16	7-1/4	4-7/8	5-7/8	2-1/8	21/32	1	3/4	3-15/16	1.937	1/2	UC208-24	P208T	4.41
1-9/16	UCP208-25													UC208-25		
1-1/2	UCP209-24	99.60	2-1/8	7-1/2	5-3/8	6-1/8	2-1/8	21/32	7/8	25/32	4-1/4	1.937	1/2	UCX08-24	P209T	5.07
1-5/8	UCP209-26													UC209-26		5.35
1-11/16	UCP209-27													UC209-27		5.35
1-3/4	UCP209-28													UC209-28		5.35
1-7/8	UCP210-30	118.35	2-1/4	8-1/8	5-7/8	6-5/8	2-3/8	25/32	1	7/8	4-1/2	2.031	5/8	UC210-30	P210T	5.95
1-15/16	UCP210-31													UC210-31		
2	UCP210-32													UC210-32		
2	UCP211-32	146.85	2-1/2	8-5/8	6-3/8	7-1/8	2-3/8	25/32	1	7/8	4-31/32	2.189	5/8	UC211-32	P211T	7.27
2-1/8	UCP211-34													UC211-34		
2-3/16	UCP211-35													UC211-35		
2-1/4	UCP212-36	189.85	2-3/4	9-1/2	6-7/8	7-5/8	2-3/4	25/32	1	1	5-7/16	2.563	5/8	UC212-36	P212T	10.36
2-3/8	UCP212-38													UC212-38		
2-7/16	UCP212-39													UC212-39		
2-1/2	UCP213-40	244.60	3	10-7/16	7-19/32	8-13/32	2-3/4	1	1-5/32	1-1/16	5-29/32	2.563	3/4	UC213-40	P213T	12.34
2-11/16	UCP214-43	294.40	3-1/8	10-1/2	7-25/32	8-23/32	2-13/16	1	1-7/32	1-1/16	6-5/32	2.937	3/4	UC214-43	P214T	16.09
2-3/4	UCP214-44													UC214-44		
2-15/16	UCP215-47	399.10	3-1/4	10-13/16	8-1/32	8-31/32	2-15/16	1	1-7/32	1-3/32	6-13/32	3.063	3/4	UC215-47	P215T	17.41
3	UCP215-48													UC215-48		
3-1/4	UCP217-52	595.50	3-3/4	12-3/16	9-9/32	10-7/32	3-1/4	1	1-7/32	1-1/4	7-3/8	3.374	3/4	UC217-52	P217	26.89
3-7/16	UCP217-55													UC217-55		
3-1/2	UCP218-56	717.10	4	12-7/8	9-13/16	10-11/16	3-1/2	1-1/16	1-5/16	1-11/32	7-7/8	3.780	7/8	UC218-56	P218	32.40
Dimensions (mm)																
12	UCP201	44.50	30.2	127	86	105	38	13	19	15	62	31	M10	UC201	P203T	1.45
15	UCP202													UC202		1.40
17	UCP203													UC203		1.38
20	UCP204	44.50	33.3	127	86	105	38	13	19	15	65	31	M10	UC204	P204T	1.45
25	UCP205	49.00	36.5	140	95	114	38	13	19	16	70	34	M10	UC205	P205T	1.76
30	UCP206	64.95	42.9	165	113	129	48	17	21	18	83	38.1	M14	UC206	P206T	2.90
35	UCP207	75.45	47.6	167	119	135	48	17	21	19	94	42.9	M14	UC207	P207T	3.57
40	UCP208	89.40	49.2	184	124	149	54	17	25	19	100	49.2		UC208	P208T	4.46
45	UCP209	99.60	54	190	137	156	54	17	22	20	108	49.2		UC209	P209T	5.13
50	UCP210	118.35	57.2	206	149	168	60	20	25	22	114	51.6	M16	UC210	P210T	6.02
55	UCP211	146.85	63.5	219	162	181	60	20	25	22	126	55.6		UC211	P211T	7.36
60	UCP212	189.85	69.8	241	175	194	70	20	25	25	138	65.1		UC212	P212T	10.5
65	UCP213	244.60	76.2	265	193	214	70	25	29	27	150	65.1	M20	UC213	P213T	12.5
70	UCP214	294.40	79.4	266	198	222	72	25	31	27	156	74.6		UC214	P214T	16.3
75	UCP215	399.10	82.6	275	204	228	74	25	31	28	163	77.8		UC215	P215T	17.6
80	UCP216	552.10	88.9	292	220	244	78	25	31	30	175	82.6	M20	UC216	P216	22.3
85	UCP217	595.50	95.2	310	236	260	83	25	31	32	187	85.7	M20	UC217	P217	27.2
90	UCP218	717.10	101.6	327	249	272	88	27	33	34	200	96	M22	UC218	P218	32.8

Lubrication fitting tap size for 1" and smaller shaft sizes, 1/4-28 UNF; for all other sizes, 1/8-27 NPT

INTERCHANGES: VPS-2 P2B-SC YAS P3U-N SY-TF UCP NP



NORMAL DUTY



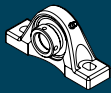
Eccentric Locking
Wide Inner Ring
Cast Iron Housing
Insert Detail-pg.115
Inch and Metric

Shaft Diam. (in.)	AMI Unit #	List Price	Dimensions (in.)										Bolt Size (in.)	Bearing #	Housing #	Weight (lb.)	
			h	a	e		b	s ₁	s ₂	g	w	L					
					Min.	Max.											
3/4	UGP204-12	54.80	1-5/16	5	3-3/8	4-1/8	1-1/2	1/2	3/4	19/32	2-9/16	1-23/32	3/8	UG204-12	P204T	1.43	
7/8	UGP205-14	62.60	1-7/16	5-1/2	3-3/4	4-1/2	1-1/2	1/2	3/4	5/8	2-3/4	1-3/4	3/8	UG205-14	P205T	1.74	
15/16	UGP205-15													UG205-15			
1	UGP205-16													UG205-16			
1-1/8	UGP206-18	77.90	1-11/16	6-1/2	4-7/16	5-1/16	1-7/8	21/32	13/16	23/32	3-9/32	1-29/32	1/2	UG206-18	P206T	2.87	
1-3/16	UGP206-19													UG206-19			
1-1/4	UGP206-20													UG206-20			
1-1/4	UGP207-20	95.20	1-7/8	6-9/16	4-11/16	5-5/16	1-7/8	21/32	13/16	3/4	3-11/16	2-1/64	1/2	UG207-20	P207T	3.53	
1-5/16	UGP207-21													UG207-21			
1-3/8	UGP207-22													UG207-22			
1-7/16	UGP207-23													UG207-23			
1-1/2	UGP208-24	107.90	1-15/16	7-1/4	4-7/8	5-7/8	2-1/8	21/32	1	3/4	3-15/16	2-7/32	1/2	UG208-24	P208T	4.41	
1-9/16	*UGP208-25													UG208-25			
1-5/8	UGP209-26	116.80	2-1/8	7-1/2	5-3/8	6-1/8	2-1/8	21/32	7/8	25/32	4-1/4	2-7/32	1/2	UG209-26	P209T	5.07	
1-11/16	UGP209-27													UG209-27			
1-3/4	UGP209-28													UG209-28			
1-7/8	UGP210-30	150.60	2-1/4	8-1/8	5-7/8	6-5/8	2-3/8	25/32	1	7/8	4-1/2	2-15/32	5/8	UG210-30	P210T	5.95	
1-15/16	UGP210-31													UG210-31			
2	UGP210-32													UG210-32			
2	UGP211-32	197.00	2-1/2	8-5/8	6-3/8	7-1/8	2-3/8	25/32	1	7/8	4-31/32	2-13/16	5/8	UG211-32	P211T	7.27	
2-1/8	UGP211-34													UG211-34			
2-3/16	UGP211-35													UG211-35			
2-1/4	UGP212-36	244.20	2-3/4	9-1/2	6-7/8	7-5/8	2-3/4	25/32	1	1	5-7/16	3-1/16	5/8	UG212-36	P212T	10.36	
2-3/8	UGP212-38													UG212-38			
2-7/16	UGP212-39													UG212-39			
Dimensions (mm)																	
20	UGP204	54.80	33.3	127	86	105	38	13	19	15	65	43.7	M10	UG204	P204T	1.43	
25	UGP205	62.60	36.5	140	95	114	38	13	19	16	70	44.4	M10	UG205	P205T	1.74	
30	UGP206	77.90	42.9	165	113	129	48	17	21	18	83	48.4	M14	UG206	P206T	2.87	
35	UGP207	95.20	47.6	167	119	135	48	17	21	19	94	51.1	M14	UG207	P207T	3.53	
40	UGP208	107.90	49.2	184	124	149	54	17	25	19	100	56.3		UG208	P208T	4.41	
45	UGP209	116.80	54	190	137	156	54	17	22	20	108	56.3		UG209	P209T	5.07	
50	UGP210	150.60	57.2	206	149	168	60	20	25	22	114	62.7	M16	UG210	P210T	5.95	
55	UGP211	197.00	63.5	219	162	181	60	20	25	22	126	71.4		UG211	P211T	7.27	
60	UGP212	244.20	69.8	241	175	194	70	20	25	25	138	77.8		UG212	P212T	10.36	

*Consult factory for availability

Lubrication fitting tap size for 1" and smaller shaft sizes, 1/4-28 UNF; for all other sizes, 1/8-27 NPT

INTERCHANGES: VPE-2 P2B-SXR RAS P3Y-N SY-WF UELP RP-E

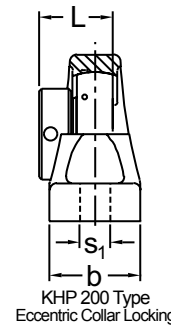
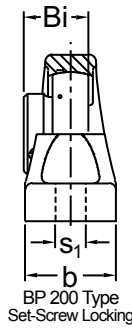
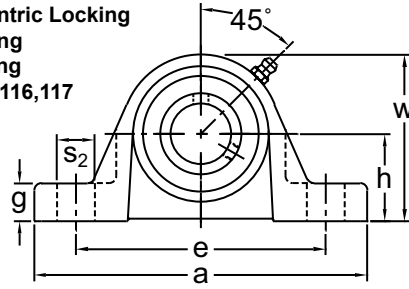


PILLOW BLOCKS

BP / KHP 200

NORMAL DUTY

Set-Screw/Eccentric Locking
Narrow Inner Ring
Cast Iron Housing
Insert Detail-pg.116,117
Inch and Metric



Shaft Diam. (in.)	AMI Unit # Complete with B Type	List Price	AMI Unit # Complete with KH200 Type	List Price	Dimensions (in.)												Bolt Size (in.)	Bearing #		Housing #	Weight (lb.)
					h	a	e		b	s ₁	s ₂	g	w	BI	L	B		KH			
							Min.	Max.													
3/4	BP204-12	42.60	KHP204-12	43.20	1-5/16	5	3-3/8	4-1/8	1-1/2	1/2	3/4	19/32	2-9/16	0.972	1-7/32	3/8	B4-12	KH204-12	P204T	1.43	
7/8	BP205-14	45.20	KHP205-14	47.10	1-7/16	5-1/2	3-3/4	4-1/2	1-1/2	1/2	3/4	5/8	2-3/4	1.063	1-7/32	3/8	B5-14	KH205-14	P205T	1.76	
15/16	BP205-15	45.20	KHP205-15																		
1	BP205-16	42.85	KHP205-16																		
1-1/16	BP206-17	63.20	*KHP206-17	66.45	1-11/16	6-1/2	4-7/16	5-1/16	1-7/8	21/32	13/16	23/32	3-9/32	1.193	1-13/32	1/2	B6-17	KH206-17	P206T	2.87	
1-1/8	BP206-18		KHP206-18																		
1-3/16	BP206-19		KHP206-19																		
1-1/4	BP206-20		KHP206-20																		
1-1/4	BP207-20	72.60	KHP207-20	80.00	1-7/8	6-9/16	4-11/16	5-5/16	1-7/8	21/32	13/16	3/4	3-11/16	1.295	1-17/32	1/2	B7-20	KH207-20	P207T	3.55	
1-5/16	BP207-21		KHP207-21																		
1-3/8	BP207-22		KHP207-22																		
1-7/16	BP207-23		KHP207-23																		
1-1/2	BP208-24	101.35	KHP208-24	91.20	1-15/16	7-1/4	4-7/8	5-7/8	2-1/8	21/32	1	3/4	3-15/16	1.398	1-23/32	1/2	B8-24	KH208-24	P208T	4.41	
1-5/8	—	—	KHP209-26	103.65	2-1/8	7-1/2	5-3/8	6-1/8	2-1/8	21/32	7/8	25/32	4-1/4	—	1-23/32	1/2	—	KH209-26	P209T	5.02	
1-11/16			KHP209-27																		
1-3/4			KHP209-28																		
1-7/8	—	—	KHP210-30	119.40	2-1/4	8-1/8	5-7/8	6-5/8	2-3/8	25/32	1	7/8	4-1/2	—	1-23/32	5/8	—	KH210-30	P210T	5.88	
1-15/16			KHP210-31																		
2	—	—	KHP211-32	160.10	2-1/2	8-5/8	6-3/8	7-1/8	2-3/8	25/32	1	7/8	4-31/32	—	1-29/32	5/8	—	KH211-32	P211T	7.07	
2-1/8			KHP211-34																		
2-3/16			KHP211-35																		
Dimensions (mm)																					
20	BP204	42.60	KHP204	43.20	33.3	127	86	105	38	13	19	15	65	24.7	31	M10	B4	KH204	P204T	1.43	
25	BP205	45.20	KHP205	47.10	36.5	140	95	114	38	13	19	16	70	27	31	M10	B5	KH205	P205T	1.76	
30	BP206	63.20	KHP206	66.45	42.9	165	113	129	48	17	21	18	83	30.3	35.7	M14	B6	KH206	P206T	2.87	
35	BP207	72.60	KHP207	80.00	47.6	167	119	135	48	17	21	19	94	32.9	38.9		B7	KH207	P207T	3.55	
40	BP208	101.35	KHP208	91.20	49.2	184	124	149	54	17	25	19	100	35.5	43.7	M14	B8	KH208	P208T	4.41	
45	—	—	KHP209	103.65	54	190	137	156	54	17	22	20	108	—	43.7		—	KH209	P209T	5.02	
50	—	—	KHP210	119.40	57.2	206	149	168	60	20	25	22	114	—	43.7		—	KH210	P210T	5.88	
55	—	—	KHP211	160.10	63.5	219	162	181	60	20	25	22	126	—	48.7	M16	—	KH211	P211T	7.07	

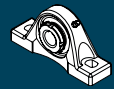
*Consult factory for availability

Lubrication fitting tap size for 1" and smaller shaft sizes, 1/4-28 UNF; for all other sizes, 1/8-27 NPT

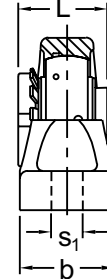
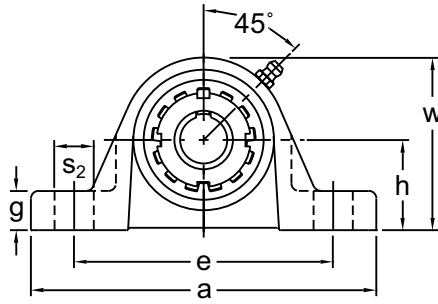
INTERCHANGES:	ASP	AELP	VPE-1	P2B-SXV	VAS	P3W-U	SY-FM	VP-E
---------------	-----	------	-------	---------	-----	-------	-------	------

UKP 200+H

PILLOW BLOCKS



NORMAL DUTY

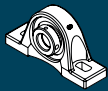


**Tapered Adapter Sleeve
Wide Inner Ring
Cast Iron Housing
Insert Detail-pg.119
Inch and Metric**

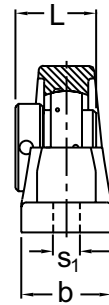
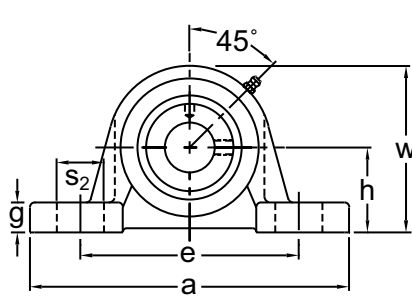
Shaft Diam. (in.)	AMI Unit #	List Price	Dimensions (in.)										Bolt Size (in.)	Bearing #	Housing #	Weight (lb.)
			h	a	e		b	s ₁	s ₂	g	w	L				
					Min.	Max.										
3/4 13/16	UKP205+HE2305 UKP205+HA2305	87.10	1-7/16	5-1/2	3-3/4	4-1/2	1-1/2	1/2	3/4	5/8	2-3/4	1.378	3/8	UK205+HE2305 UK205+HA2305	P205T	1.85
7/8 15/16 1	UKP206+HS2306 UKP206+HA2306 UKP206+HE2306	106.50	1-11/16	6-1/2	4-7/16	5-1/16	1-7/8	21/32	13/16	23/32	3-9/32	1.496	1/2	UK206+HS2306 UK206+HA2306 UK206+HE2306	P206T	3.09
1-1/8 1-3/16	UKP207+HS2307 UKP207+HA2307	121.70	1-7/8	6-9/16	4-11/16	5-5/16	1-7/8	21/32	13/16	3/4	3-11/16	1.693	1/2	UK207+HS2307 UK207+HA2307	P207T	3.53
1-1/4 1-5/16 1-3/8	UKP208+HE2308 UKP208+HA2308 UKP208+HS2308	141.60	1-15/16	7-1/4	4-7/8	5-7/8	2-1/8	21/32	1	3/4	3-15/16	1.811	1/2	UK208+HE2308 UK208+HA2308 UK208+HS2308	P208T	4.63
1-7/16 1-1/2 1-5/8	UKP209+HA2309 UKP209+HE2309 UKP209+HS2309	152.40	2-1/8	7-1/2	5-3/8	6-1/8	2-1/8	21/32	7/8	25/32	4-1/4	1.969	1/2	UK209+HA2309 UK209+HE2309 UK209+HS2309	P209T	5.29
1-11/16 1-3/4	UKP210+HA2310 UKP210+HE2310	176.90	2-1/4	8-1/8	5-7/8	6-5/8	2-3/8	25/32	1	7/8	4-1/2	2.165	5/8	UK210+HA2310 UK210+HE2310	P210T	6.17
1-7/8 1-15/16 2	UKP211+HS2311 UKP211+HA2311 UKP211+HE2311	234.50	2-1/2	8-5/8	6-3/8	7-1/8	2-3/8	25/32	1	7/8	4-31/32	2.323	5/8	UK211+HS2311 UK211+HA2311 UK211+HE2311	P211T	7.49
2-1/16 2-1/8	UKP212+HA2312 UKP212+HS2312	290.00	2-3/4	9-1/2	6-7/8	7-5/8	2-3/4	25/32	1	1	5-7/16	2.441	5/8	UK212+HA2312 UK212+HS2312	P212T	10.58
2-3/16 2-1/4 2-3/8	UKP213+HA2313 UKP213+HE2313 UKP213+HS2313	317.50	3	10-7/16	7-19/32	8-13/32	2-3/4	1	1-5/32	1-1/16	5-29/32	2.559	3/4	UK213+HA2313 UK213+HE2313 UK213+HS2313	P213T	12.56
2-7/16 2-1/2	UKP215+HA2315 UKP215+HE2315	513.50	3-1/4	10-13/16	8-1/32	8-31/32	2-15/16	1	1-7/32	1-3/32	6-13/32	2.874	3/4	UK215+HA2315 UK215+HE2315	P215T	18.29
2-3/4	UKP216+HE2316	522.80	3-1/2	11-1/2	8-21/32	9-19/32	3-1/16	1	1-7/32	1-3/16	6-7/8	3.071	3/4	UK216+HE2316	P216	22.92
2-15/16 3	UKP217+HA2317 UKP217+HE2317	629.40	3-3/4	12-3/16	9-9/32	10-7/32	3-1/4	1	1-7/32	1-1/4	7-3/8	3.228	3/4	UK217+HA2317 UK217+HE2317	P217	28.21
3-1/8	UKP218+HS2318	774.80	4	12-7/8	9-13/16	10-11/16	3-1/2	1-1/16	1-5/16	1-11/32	7-7/8	3.386	7/8	UK218+HS2318	P218	33.28
Dimensions (mm)																
20	UKP205+H2305	87.10	36.5	140	95	114	38	13	19	16	70	35	M10	UK205+H2305	P205T	1.85
25	UKP206+H2306	106.50	42.9	165	113	129	48	17	21	18	83	38	M14	UK206+H2306	P206T	3.09
30	UKP207+H2307	121.70	47.6	167	119	135	48	17	21	19	94	43	M14	UK207+H2307	P207T	3.53
35	UKP208+H2308	141.60	49.2	184	124	149	54	17	25	19	100	46	M14	UK208+H2308	P208T	4.63
40	UKP209+H2309	152.40	54	190	137	156	54	17	22	20	108	50	M14	UK209+H2309	P209T	5.29
45	UKP210+H2310	176.90	57.2	206	149	168	60	20	25	22	114	55	M16	UK210+H2310	P210T	6.17
50	UKP211+H2311	234.50	63.5	219	162	181	60	20	25	22	126	59	M16	UK211+H2311	P211T	7.49
55	UKP212+H2312	290.00	69.8	241	175	194	70	20	25	25	138	62	M16	UK212+H2312	P212T	10.58
60	UKP213+H2313	317.50	76.2	265	193	214	70	25	29	27	150	65	M20	UK213+H2313	P213T	12.56
65	UKP215+H2315	513.50	82.6	275	204	228	74	25	31	28	163	73		UK215+H2315	P215T	18.29
70	UKP216+H2316	522.80	88.9	292	220	244	78	25	31	30	175	78	M20	UK216+H2316	P216	22.92
75	UKP217+H2317	629.40	95.2	310	236	260	83	25	31	32	187	82		UK217+H2317	P217	28.21
80	UKP218+H2318	774.80	101.6	327	249	272	88	27	33	34	200	86	M22	UK218+H2318	P218	33.28

Lubrication fitting tap size for 1" and smaller shaft sizes, 1/4-28 UNF; for all other sizes, 1/8-27 NPT

INTERCHANGES: UKP



Eccentric Locking
Wide Inner Ring
Cast Iron Housing
Insert Detail-pg.115
Inch and Metric



Shaft Diam. (in.)	AMI Unit #	List Price	Dimensions (in.)										Bolt Size (in.)	Bearing #	Housing #	Weight (lb.)
			h	a	e		b	s ₁	s ₂	g	w	L				
					Min.	Max.										
7/8	UGAKH205-14	96.60	1-3/4	6-1/4	4.141	5.109	2.000	0.591	0.984	0.709	3.500	1-3/4	1/2	UG205-14	AKH205	3.37
15/16	UGAKH205-15													UG205-15		
1	UGAKH205-16													UG205-16		
1-1/8	UGAKH206-18	120.90	1-7/8	6-57/64	4.516	5.484	2.250	0.591	0.984	0.709	3.819	1-29/32	1/2	UG206-18	AKH206	4.6
1-3/16	UGAKH206-19													UG206-19		
1-1/4	UGAKH206-20													UG206-20		
1-1/4	UGAKH207-20	133.60	2-1/8	8	4.788	6.150	2.250	0.669	1.181	0.748	4.173	2-1/64	1/2	UG207-20	AKH207	6.08
1-5/16	UGAKH207-21													UG207-21		
1-3/8	UGAKH207-22													UG207-22		
1-7/16	UGAKH207-23													UG207-23		
1-1/2	UGAKH208-24	204.00	2-5/16	8-3/4	5.500	6.750	2.598	0.669	1.250	0.787	4.567	2-7/32	5/8	UG208-24	AKH208	7.98
1-9/16	*UGAKH208-25													UG208-25		
1-5/8	UGAKH209-26	237.00	2-5/16	8-3/4	5.500	6.750	2.598	0.669	1.250	0.787	4.567	2-7/32	5/8	UG209-26	AKH209	7.82
1-11/16	UGAKH209-27													UG209-27		
1-3/4	UGAKH209-28													UG209-28		
1-7/8	UGAKH210-30	265.80	2-1/2	9-1/2	5.918	7.582	2.875	0.669	1.457	0.866	5.079	2-15/32	5/8	UG210-30	AKH210	10.11
1-15/16	UGAKH210-31													UG210-31		
2	UGAKH210-32													UG210-32		
2	UGAKH211-32	322.95	2-3/4	10-1/4	6.425	8.075	3.110	0.984	1.575	1.102	5.591	2-13/16	3/4	UG211-32	AKH211	13.86
2-1/8	UGAKH211-34													UG211-34		
2-3/16	UGAKH211-35													UG211-35		
2-1/4	UGAKH212-36	398.70	3	11-1/4	7.156	9.594	3.250	1.024	1.969	1.102	6.339	3-1/16	3/4	UG212-36	AKH212	17.29
2-3/8	UGAKH212-38													UG212-38		
2-7/16	UGAKH212-39													UG212-39		
Dimensions (mm)																
25	UGAKH205	96.60	44.4	158	105	130	51	15	25	18	89	44.4	M14	UG205	AKH205	3.37
30	UGAKH206	120.90	47.6	175	115	139	57	15	25	18	97	48.4		UG206	AKH206	4.60
35	UGAKH207	133.60	54.0	203	122	156	57	17	30	19	106	51.1	M14	UG207	AKH207	6.08
40	UGAKH208	204.00	58.7	222	140	172	66	17	32	20	116	56.3	M16	UG208	AKH208	7.98
45	UGAKH209	237.00	58.7	222	140	172	66	17	32	20	116	56.3	M16	UG209	AKH209	7.82
50	UGAKH210	265.80	63.5	241	150	193	73	17	37	22	129	62.7	M16	UG210	AKH210	10.11
55	UGAKH211	322.95	69.8	260	163	205	79	25	40	28	142	71.4	M20	UG211	AKH211	13.86
60	UGAKH212	398.70	76.2	286	182	244	82	26	50	28	161	77.8	M20	UG212	AKH212	17.29

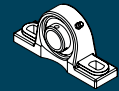
*Consult factory for availability

Lubrication fitting tap size for 1" and smaller shaft sizes, 1/4-28 UNF; for all other sizes, 1/8-27 NPT

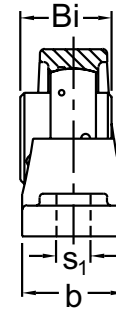
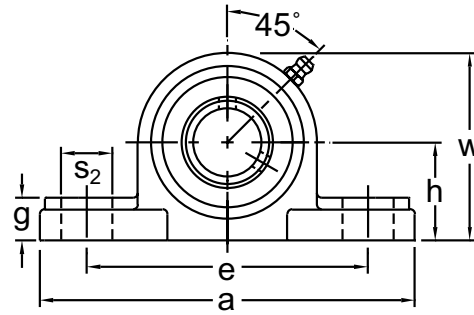
INTERCHANGES: RAKH

UCLP 200

LOW BASE PILLOW BLOCKS



NORMAL DUTY

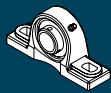


**Set-Screw Locking
Wide Inner Ring
Cast Iron Housing
Low Shaft Height
Insert detail-pg.112-113
Covers Available-pg.59
Inch and Metric**

Shaft Diam. (in.)	AMI Unit #	List Price	Dimensions (in.)											Bolt Size (in.)	Bearing #	Housing #	Weight (lb.)
			h	a	e		b	s ₁	s ₂	g	w	Bi					
					Min.	Max.											
1/2	UCLP201-8	44.50	1-1/16	4-3/4	3-1/4	3-3/4	1-1/8	1/2	5/8	1/2	2-3/16	1.024	3/8	UCW201-8	LP203	1.10	
9/16	UCLP202-9				3-1/2	3-1/2								UCW202-9		1.08	
5/8	UCLP202-10				3-1/2	3-1/2								UCW202-10		1.08	
11/16	UCLP203-11				3-1/2	3-1/2								UCW203-11		1.06	
3/4	UCLP204-12	44.50	1-1/4	5-1/4	3-1/2	4-1/4	1-1/4	1/2	3/4	1/2	2-9/16	1.220	3/8	UC204-12	LP204	1.48	
7/8	UCLP205-14	49.00	1-5/16	5-1/2	3-3/4	4-1/2	1-1/2	1/2	3/4	5/8	2-11/16	1.339	3/8	UC205-14	LP205	1.76	
15/16	UCLP205-15	49.00												UC205-15			
1	UCLP205-16	46.65												UC205-16			
1-1/16	UCLP206-17	64.95	1-9/16	6-1/2	4-1/2	5-1/4	1-5/8	19/32	7/8	11/16	3-3/16	1.500	1/2	UC206-17	LP206	2.64	
1-1/8	UCLP206-18													UC206-18			
1-3/16	UCLP206-19													UC206-19			
1-1/4	UCLP206-20													UC206-20			
1-1/4	UCLP207-20	75.45	1-13/16	7	5	5-3/4	1-7/8	19/32	7/8	3/4	3-11/16	1.689	1/2	UC207-20	LP207	4.19	
1-5/16	UCLP207-21													UC207-21			
1-3/8	UCLP207-22													UC207-22			
1-7/16	UCLP207-23													UC207-23			
1-1/2	UCLP208-24	89.40	1-15/16	7-1/4	5-1/4	6	2	19/32	7/8	13/16	3-15/16	1.937	1/2	UC208-24	LP208	4.85	
1-9/16	UCLP208-25													UC208-25			
1-5/8	UCLP209-26	99.60	2-1/16	7-3/4	5-1/2	6-1/2	2-1/8	19/32	1	13/16	4-3/16	1.937	1/2	UC209-26	LP209	5.29	
1-11/16	UCLP209-27													UC209-27			
1-3/4	UCLP209-28													UC209-28			
1-7/8	UCLP210-30	118.35	2-3/16	8-3/8	6	7	2-1/4	19/32	1	7/8	4-7/16	2.031	1/2	UC210-30	LP210	6.39	
1-15/16	UCLP210-31													UC210-31			
2	UCLP210-32													UC210-32			
2	UCLP211-32	146.85	2-7/16	9-1/4	6-5/8	7-5/8	2-1/2	3/4	1-1/8	1	4-15/16	2.189	5/8	UC211-32	LP211	8.82	
2-1/8	UCLP211-34													UC211-34			
2-3/16	UCLP211-35													UC211-35			
2-1/4	UCLP212-36	189.85	2-11/16	9-3/4	7-1/8	8-1/8	2-3/4	3/4	1-1/8	1-1/8	5-7/16	2.563	5/8	UC212-36	LP212	11.68	
2-3/8	UCLP212-38													UC212-38			
2-7/16	UCLP212-39													UC212-39			
2-1/2	UCLP213-40	244.60	2-11/16	9-3/4	7-1/8	8-1/8	2-3/4	3/4	1-1/8	1-1/8	5-7/16	2.563	5/8	UC213-40	LP213	11.24	
Dimensions (mm)																	
12	UCLP201	44.50	27	121	83	95	29	12	16	13	56	26	M10	UCW201	LP203	1.10	
15	UCLP202				83	95								UCW202		1.08	
17	UCLP203				83	95								UCW203		1.06	
20	UCLP204	44.50	31.8	133	89	108	32	12	19	13	65	31	M10	UC204	LP204	1.48	
25	UCLP205	49.00	33.3	140	95	114	38	12	19	16	68	34	M10	UC205	LP205	1.76	
30	UCLP206	64.95	39.7	165	114	133	41	15	22	17	81	38.1	M12	UC206	LP206	2.64	
35	UCLP207	75.45	46	178	127	146	48	15	22	19	94	42.9	M12	UC207	LP207	4.19	
40	UCLP208	89.40	49.2	184	133	152	51	15	22	21	100	49.2	M12	UC208	LP208	4.85	
45	UCLP209	99.60	52.4	197	140	165	54	15	25	21	106	49.2	M12	UC209	LP209	5.29	
50	UCLP210	118.35	55.6	213	152	178	57	15	25	22	113	51.6	M12	UC210	LP210	6.39	
55	UCLP211	146.85	61.9	235	168	194	64	19	29	25	125	55.6	M16	UC211	LP211	8.82	
60	UCLP212	189.85	68.3	248	181	206	70	19	29	29	138	65.1	M16	UC212	LP212	11.68	
65	UCLP213	244.60	68.3	248	181	206	70	19	29	29	138	65.1	M16	UC213	LP213	11.24	

Lubrication fitting tap size for 1" and smaller shaft sizes, 1/4-28 UNF; for all other sizes, 1/8-27 NPT

INTERCHANGES: VPLS-2 P2B-SCB YAK PL3U-N CL25 SYH-TF UCLP NPL

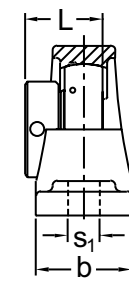
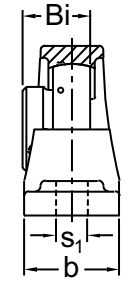
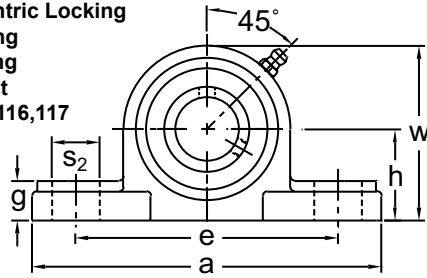


LOW BASE PILLOW BLOCKS

BLP / KHLP 200

NORMAL DUTY

Set-Screw/Eccentric Locking
Narrow Inner Ring
Cast Iron Housing
Low Shaft Height
Insert Detail-pg.116,117
Inch and Metric



BLP 200 Type
Set-Screw Locking

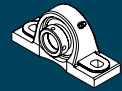
KHLP 200 Type
Eccentric Collar Locking



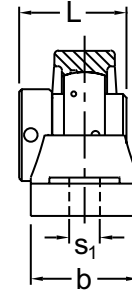
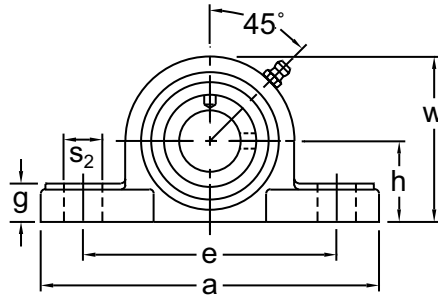
Shaft Diam. (in.)	AMI Unit # Complete with B Type	List Price	AMI Unit # Complete with KH200 Type	List Price	Dimensions (in.)											Bolt Size (in.)	Bearing #		Housing #	Weight (lb.)
					h	a	e		b	s1	s2	g	w	Bi	L		B	KH		
							Min.	Max.												
1/2	BLP201-8	42.60	KHLP201-8	43.20	1-1/16	4-3/4	3-1/4	3-3/4	1-1/8	1/2	5/8	1/2	2-3/16	0.866	1-1/8	3/8	B1-8	KH201-8	LP203	0.90
5/8	BLP202-10		KHLP202-10		1-1/4	5-1/4	3-1/2	4-1/4	1-1/4	1/2	3/4	1/2	2-9/16	0.972	1-7/32	3/8	B2-10	KH202-10		
3/4	BLP204-12	42.60	KHLP204-12	43.20	1-1/4	5-1/4	3-1/2	4-1/4	1-1/4	1/2	3/4	1/2	2-9/16	0.972	1-7/32	3/8	B4-12	KH204-12	LP204	1.48
7/8	BLP205-14	45.20	KHLP205-14	47.10	1-5/16	5-1/2	3-3/4	4-1/2	1-1/2	1/2	3/4	5/8	2-11/16	1.063	1-7/32	3/8	B5-14	KH205-14	LP205	1.74
15/16	BLP205-15	45.20	KHLP205-15														B5-15	KH205-15		
1	BLP205-16	42.85	KHLP205-16														B5-16	KH205-16		
1-1/16	BLP206-17	63.20	—	66.45	1-9/16	6-1/2	4-1/2	5-1/4	1-5/8	19/32	7/8	11/16	3-3/16	1.193	1-13/32	1/2	B6-17	—	LP206	2.64
1-1/8	BLP206-18		KHLP206-18														B6-18	KH206-18		
1-3/16	BLP206-19		KHLP206-19														B6-19	KH206-19		
1-1/4	BLP206-20		KHLP206-20														B6-20	KH206-20		
1-1/4	BLP207-20	72.60	KHLP207-20	80.00	1-13/16	7	5	5-3/4	1-7/8	19/32	7/8	3/4	3-11/16	1.295	1-17/32	1/2	B7-20	KH207-20	LP207	4.21
1-5/16	BLP207-21		KHLP207-21														B7-21	KH207-21		
1-3/8	BLP207-22		KHLP207-22														B7-22	KH207-22		
1-7/16	BLP207-23		KHLP207-23														B7-23	KH207-23		
1-1/2	BLP208-24		101.35														KHLP208-24	91.20		
1-5/8	—	—	KHLP209-26	103.65	2-1/16	7-3/4	5-1/2	6-1/2	2-1/8	19/32	1	13/16	4-3/16	—	1-23/32	1/2	—	KH209-26	LP209	5.24
1-11/16	—	—	KHLP209-27														B8-24	KH208-24		
1-3/4	—	—	KHLP209-28														—	KH209-28		
1-7/8	—	—	KHLP210-30	119.40	2-3/16	8-3/8	6	7	2-1/4	19/32	1	7/8	4-7/16	—	1-23/32	1/2	—	KH210-30	LP210	6.32
1-15/16	—	—	KHLP210-31														—	KH210-31		
2	—	—	KHLP211-32	160.10	2-7/16	9-1/4	6-5/8	7-5/8	2-1/2	3/4	1-1/8	1	4-15/16	—	1-29/32	5/8	—	KH211-32	LP211	8.62
2-1/8	—	—	KHLP211-34														—	KH211-34		
2-3/16	—	—	KHLP211-35														—	KH211-35		
Dimensions (mm)																				
12	BLP201	42.60	KHLP201	43.20	27	121	83	95	29	12	16	13	56	22	28.6	M10	B1	KH201	LP203	0.90
15	BLP202		KHLP202														B2	KH202		
17	BLP203		KHLP203														B3	KH203		
20	BLP204	42.60	KHLP204	43.20	31.8	133	89	108	32	12	19	13	65	24.7	31	M10	B4	KH204	LP204	1.48
25	BLP205	45.20	KHLP205	47.10	33.3	140	95	114	38	12	19	16	68	27	31	M10	B5	KH205	LP205	1.74
30	BLP206	63.20	KHLP206	66.45	39.7	165	114	133	41	15	22	17	81	30.3	35.7	M12	B6	KH206	LP206	2.64
35	BLP207	72.60	KHLP207	80.00	46	178	127	146	48	15	22	19	94	32.9	38.9	M12	B7	KH207	LP207	4.21
40	BLP208	101.35	KHLP208	91.20	49.2	184	133	152	51	15	22	21	100	35.5	43.7		B8	KH208	LP208	4.85
45	—	—	KHLP209	103.65	52.4	197	140	165	54	15	25	21	106	—	43.7	—	—	KH209	LP209	5.24
50	—	—	KHLP210	119.40	55.6	213	152	178	57	15	25	22	113	—	43.7	M12	—	KH210	LP210	6.32
55	—	—	KHLP211	160.10	61.9	235	168	194	64	19	29	25	125	—	48.7	M16	—	KH211	LP211	8.62

Lubrication fitting tap size for 1" and smaller shaft sizes, 1/4-28 UNF; for all other sizes, 1/8-27 NPT

INTERCHANGES: VPLE-1 P2B-SXVB VAK PL3W-U SYH-FM AELPL VPL



NORMAL DUTY



Eccentric Locking
Wide Inner Ring
Cast Iron Housing
Low Shaft Height
Insert Detail-pg.115
Inch and Metric

Shaft Diam. (in.)	AMI Unit #	List Price	Dimensions (in.)										Bolt Size (in.)	Bearing #	Housing #	Weight (lb.)
			h	a	e		b	s ₁	s ₂	g	w	L				
					Min.	Max.										
1/2	UGAK201-8	54.80	1-1/16	4-3/4	3-1/4	3-3/4	1-3/8	1/2	5/8	1/2	2-1/8	1-15/32	3/8	UGW201-8	AK203	1.21
5/8	UGAK202-10				UGW202-10											
3/4	UGAK204-12	54.80	1-1/4	5-1/4	3-5/8	4-1/8	1-5/8	1/2	5/8	9/16	2-1/2	1-23/32	3/8	UG204-12	AK204	1.98
7/8	UGAK205-14	62.60	1-5/16	5-1/2	3-7/8	4-3/8	1-3/4	1/2	5/8	5/8	2-11/16	1-3/4	3/8	UG205-14	AK205	2.42
15/16	UGAK205-15													UG205-15		
1	UGAK205-16													UG205-16		
1-1/8	UGAK206-18	77.90	1-9/16	6-5/16	4-1/2	5	1-7/8	19/32	3/4	11/16	3-5/32	1-29/32	1/2	UG206-18	AK206	3.09
1-3/16	UGAK206-19													UG206-19		
1-1/4	UGAK206-20													UG206-20		
1-1/4	UGAK207-20	95.20	1-13/16	6-9/16	4-3/4	5-1/4	1-7/8	19/32	3/4	3/4	3-5/8	2-1/64	1/2	UG207-20	AK207	4.19
1-5/16	UGAK207-21													UG207-21		
1-3/8	UGAK207-22													UG207-22		
1-7/16	UGAK207-23													UG207-23		
1-1/2	UGAK208-24	107.90	1-15/16	7-1/8	5-1/4	5-3/4	2-1/8	19/32	3/4	3/4	3-15/16	2-7/32	1/2	UG208-24	AK208	4.85
1-5/8	UGAK209-26	116.80	2-1/16	7-1/2	5-1/2	6	2-1/8	19/32	3/4	13/16	4-3/16	2-7/32	1/2	UG209-26	AK209	5.73
1-11/16	UGAK209-27													UG209-27		
1-3/4	UGAK209-28													UG209-28		
1-7/8	UGAK210-30	150.60	2-3/16	8	6	6-1/2	2-1/4	19/32	3/4	7/8	4-7/16	2-15/32	1/2	UG210-30	AK210	6.83
1-15/16	UGAK210-31													UG210-31		
2	UGAK210-32													UG210-32		
2	UGAK211-32	197.00	2-7/16	9-1/8	6-13/16	7-7/16	2-3/8	25/32	15/16	1	4-29/32	2-13/16	5/8	UG211-32	AK211	9.26
2-1/8	UGAK211-34													UG211-34		
2-3/16	UGAK211-35													UG211-35		
2-1/4	UGAK212-36	244.20	2-11/16	9-1/2	7-3/16	7-13/16	2-1/2	25/32	15/16	1-1/8	5-3/8	3-1/16	5/8	UG212-36	AK212	11.68
2-3/8	UGAK212-38													UG212-38		
2-7/16	UGAK212-39													UG212-39		
Dimensions (mm)																
20	UGAK204	54.80	31.8	133	92	105	41	12	16	14.3	64	43.7	M10	UG204	AK204	1.98
25	UGAK205	62.60	33.3	140	98	111	45	12	16	16	68	44.4	M10	UG205	AK205	2.42
30	UGAK206	77.90	39.7	160	114	127	48	15	19	17	80	48.4	M12	UG206	AK206	3.09
35	UGAK207	95.20	46	167	121	133	48	15	19	19	92	51.1		UG207	AK207	4.19
40	UGAK208	107.90	49.2	181	133	146	54	15	19	19	100	56.3	M12	UG208	AK208	4.85
45	UGAK209	116.80	52.4	190	140	152	54	15	19	21	106	56.3		UG209	AK209	5.73
50	UGAK210	150.60	55.6	203	152	165	57	15	19	22	113	62.7	M12	UG210	AK210	6.83
55	UGAK211	197.00	61.9	232	173	189	60	20	24	25	125	71.4	M16	UG211	AK211	9.26
60	UGAK212	244.20	68.3	241	183	198	64	20	24	29	138	77.8	M16	UG212	AK212	11.68

Lubrication fitting tap size for 1" and smaller shaft sizes, 1/4-28 UNF; for all other sizes, 1/8-27 NPT

INTERCHANGES: VPLE-2 P2B-SXRB RAK PL3Y-L SYH-WF UELPL RPL

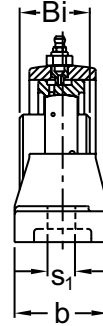
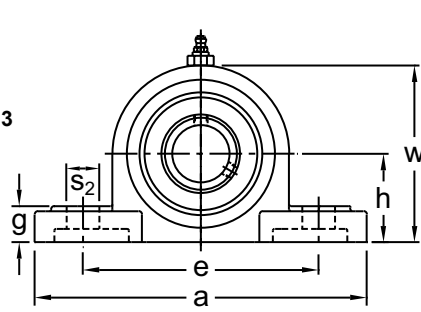


EXPANSION PILLOW BLOCKS

UCEP 200

NORMAL DUTY

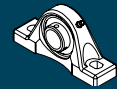
**Set-Screw Locking
Wide Inner Ring
Cast Iron Housing
Expansion Type
Insert Detail-pg.112-113
Inch and Metric**



Shaft Diam. (in.)	AMI Unit #	List Price	Dimensions (in.)										Bolt Size (in.)	Bearing #	Housing #	Weight (lb.)	
			h	a	e		b	s1	s2	g	w	Bi					
					Min.	Max.											
7/8	UCEP205-14	124.15	1-3/4	6-1/4	4-13/32	4-31/32	2	21/32	25/32	23/32	3-11/32	1.339	1/2	UC205-14	EP205	3.30	
15/16	UCEP205-15													UC205-15			
1	UCEP205-16													UC205-16			
1-1/16	UCEP206-17	153.15	1-7/8	6-7/8	4-23/32	5-9/32	2-1/4	21/32	25/32	25/32	3-11/16	1.500	1/2	UC206-17	EP206	4.40	
1-1/8	UCEP206-18													UC206-18			
1-3/16	UCEP206-19													UC206-19			
1-1/4	UCEP206-20													UC206-20			
1-1/4	UCEP207-20	184.55	2-1/8	8	5-13/32	5-31/32	2-1/4	21/32	25/32	7/8	4-1/4	1.689	1/2	UC207-20	EP207	5.94	
1-5/16	UCEP207-21													UC207-21			
1-3/8	UCEP207-22													UC207-22			
1-7/16	UCEP207-23													UC207-23			
1-1/2	UCEP208-24	221.75	2-5/16	8-3/4	5-13/16	6-7/16	2-5/8	25/32	15/16	1-1/32	4-9/16	1.937	5/8	UC208-24	EP208	7.70	
1-5/8	UCEP209-26	237.50	2-5/16	8-3/4	5-13/16	6-7/16	2-5/8	25/32	15/16	1-1/32	4-9/16	1.937	5/8	UC209-26	EP209	7.48	
1-11/16	UCEP209-27													UC209-27			
1-3/4	UCEP209-28													UC209-28			
1-7/8	UCEP210-30	278.50	2-1/2	9-1/2	6-11/32	7-5/32	2-7/8	25/32	1-1/32	1-1/16	4-31/32	2.031	5/8	UC210-30	EP210	9.02	
1-15/16	UCEP210-31													UC210-31			
2	UCEP210-32													UC210-32			
2	UCEP211-32	356.25	2-3/4	10-1/4	6-29/32	7-19/32	3-1/8	1	1-3/32	1-3/16	5-15/32	2.189	3/4	UC211-32	EP211	12.32	
2-1/8	UCEP211-34													UC211-34			
2-3/16	UCEP211-35													UC211-35			
2-1/4	UCEP212-36	441.60	3	11-1/4	7-9/16	8-7/16	3-1/4	1	1-3/16	1-1/4	5-15/16	2.563	3/4	UC212-36	EP212	15.62	
2-3/8	UCEP212-38													UC212-38			
2-7/16	UCEP212-39													UC212-39			
2-1/2	UCEP213-40	560.70	3	11-1/4	7-9/16	8-7/16	3-1/4	1	1-3/16	1-1/4	6-1/16	2.563	3/4	UC213-40	EP213	15.40	
2-11/16	UCEP214-43	755.00	3-1/2	13	8-21/32	9-11/32	3-1/2	1-1/16	1-7/32	1-3/8	6-31/32	2.937	7/8	UC214-43	EP214	23.76	
2-3/4	UCEP214-44													UC214-44			
2-15/16	UCEP215-47	841.20	3-1/2	13	8-21/32	9-11/32	3-1/2	1-1/16	1-7/32	1-3/8	6-31/32	3.063	7/8	UC215-47	EP215	23.98	
3	UCEP215-48													UC215-48			
3-1/4	UCEP217-52	1236.00	4	15	10-7/16	11-13/16	4	1-1/16	1-9/16	1-21/32	8-1/16	3.374	7/8	UC217-52	EP217	36.08	
3-7/16	UCEP217-55													UC217-55			
Dimensions (mm)																	
25	UCEP205	124.15	44.4	159	112	126	51	17	20	18	85	34	M14	UC205	EP205	3.30	
30	UCEP206	153.15	47.6	175	120	134	57	17	20	20	94	38.1		UC206	EP206	4.40	
35	UCEP207	184.55	54	203	137	152	57	17	20	22	108	42.9	M14	UC207	EP207	5.94	
40	UCEP208	221.75	58.7	222	148	164	67	20	24	26	116	49.2	M16	UC208	EP208	7.70	
45	UCEP209	237.50	58.7	222	148	164	67	20	24	26	116	49.2	M16	UC209	EP209	7.48	
50	UCEP210	278.50	63.5	241	161	182	73	20	26	27	126	51.6	M16	UC210	EP210	9.02	
55	UCEP211	356.25	69.8	260	175	193	79	25	28	30	139	55.6	M20	UC211	EP211	12.32	
60	UCEP212	441.60	76.2	286	192	214	83	25	30	32	151	65.1	M20	UC212	EP212	15.62	
65	UCEP213	560.70	76.2	286	192	214	83	25	30	32	154	65.1	M20	UC213	EP213	15.40	
70	UCEP214	755.00	88.9	330	220	237	89	27	31	35	177	74.6	M22	UC214	EP214	23.76	
75	UCEP215	841.20	88.9	330	220	237	89	27	31	35	177	77.8	M22	UC215	EP215	23.98	
80	UCEP216	1020.00	101.6	381	265	300	102	27	40	42	205	82.6	M22	UC216	EP216	37.62	
85	UCEP217	1236.00	101.6	381	265	300	102	27	40	42	205	85.7	M22	UC217	EP217	36.08	

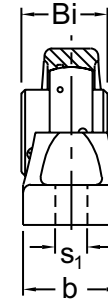
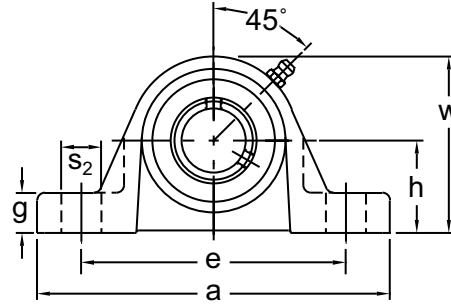
Lubrication fitting tap size for 1" and smaller shaft sizes, 1/4-28 UNF; for all other sizes, 1/8-27 NPT

INTERCHANGES: P2B-SCH-E RAKHL EMP



NORMAL DUTY

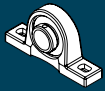
Set-Screw Locking
Wide Inner Ring
Cast Iron Housing
Insert detail-pg.112-113
Inch and Metric



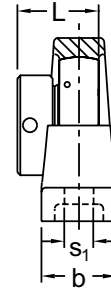
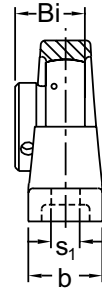
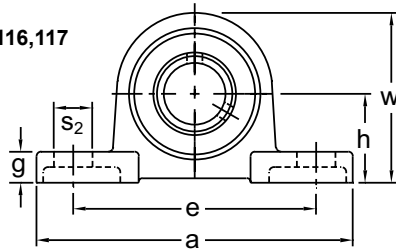
Shaft Diam. (in.)	AMI Unit #	List Price	Dimensions (in.)										Bolt Size (in.)	Bearing #	Housing #	Weight (lb.)
			h	a	e		b	s1	s2	g	w	Bi				
					Min.	Max.										
7/8	UCSP205-14	86.60	1-3/4	7	5-1/8	5-5/8	2	9/16	3/4	9/16	3-5/16	1.339	1/2	UC205-14	SP205	4.00
15/16	UCSP205-15													UC205-15		
1	UCSP205-16													UC205-16		
1-1/16	UCSP206-17	145.45	2	7-1/2	5-3/8	6-1/8	2	9/16	7/8	5/8	3-7/8	1.500	1/2	UC206-17	SP206	5.80
1-1/8	UCSP206-18													UC206-18		
1-3/16	UCSP206-19													UC206-19		
1-1/4	UCSP206-20													UC206-20		
1-1/4	UCSP207-20	198.35	2-3/8	8-1/4	5-5/8	6-7/8	2-1/4	3/4	1-1/4	3/4	4-1/2	1.689	5/8	UC207-20	SP207	7.40
1-5/16	UCSP207-21													UC207-21		
1-3/8	UCSP207-22													UC207-22		
1-7/16	UCSP207-23													UC207-23		
1-1/2	UCSP208-24	235.50	2-5/16	8-1/2	5-7/8	7-1/8	2-3/8	3/4	1-1/4	3/4	4-9/16	1.937	5/8	UC208-24	SP208	7.60
1-9/16	UCSP208-25													UC208-25		
1-5/8	UCSP209-26	287.70	2-3/8	8-3/4	5-7/8	7-1/8	2-3/8	3/4	1-1/4	3/4	4-5/8	1.937	5/8	UC209-26	SP209	8.00
1-11/16	UCSP209-27													UC209-27		
1-3/4	UCSP209-28													UC209-28		
1-7/8	UCSP210-30	310.45	2-3/4	10-1/2	6-3/4	8-1/2	2-1/2	3/4	1-1/2	7/8	5-5/16	2.031	5/8	UC210-30	SP210	11.60
1-15/16	UCSP210-31													UC210-31		
2	UCSP210-32													UC210-32		
2	UCSP211-32	380.00	3-1/8	11-1/4	7-5/8	9-3/8	2-3/4	3/4	1-1/2	7/8	5-15/16	2.189	5/8	UC211-32	SP211	14.60
2-1/8	UCSP211-34													UC211-34		
2-3/16	UCSP211-35													UC211-35		
2-1/4	UCSP212-36	401.25	3-1/8	11-1/2	7-7/8	9-3/8	3	7/8	1-1/2	7/8	6-1/16	2.563	3/4	UC212-36	SP212	16.00
2-3/8	UCSP212-38													UC212-38		
2-7/16	UCSP212-39													UC212-39		
2-1/2	UCSP213-40	442.25	3-3/4	12-5/8	9-3/8	10-5/8	3-3/8	7/8	1-3/8	1	7-1/8	2.563	3/4	UC213-40	SP213	20.40
2-11/16	UCSP214-43	688.70	3-3/4	12-5/8	9-3/8	10-5/8	3-3/8	7/8	1-3/8	1	7-1/8	2.937	3/4	UC214-43	SP214	20.90
2-3/4	UCSP214-44													UC214-44		
2-15/16	UCSP215-47	720.60	3-3/4	13	9-1/4	10-3/4	3-3/8	7/8	1-1/2	1	7-3/16	3.063	3/4	UC215-47	SP215	23.80
3	UCSP215-48													4		
3-1/4	UCSP217-52	1192.65	4	15	9-5/8	11-7/8	4-1/4	1	2	1-1/4	8-1/16	3.374	7/8	UC217-52	SP217	37.40
3-7/16	UCSP217-55													UC217-55		
Dimensions (mm)																
25	UCSP205	86.60	44.5	177.8	130.2	142.9	50.8	14.3	19.0	14.3	84.1	34	M12	UC205	SP205	4.00
30	UCSP206	145.45	50.8	190.5	136.5	155.6	50.8	14.3	22.2	15.9	98.4	38.1	M16	UC206	SP206	5.80
35	UCSP207	198.35	60.3	209.5	142.9	174.6	57.1	19.0	31.7	19.0	114.3	42.9	M16	UC207	SP207	7.40
40	UCSP208	235.50	58.7	215.9	149.2	181.0	60.3	19.0	31.7	19.0	115.9	49.2	M16	UC208	SP208	7.40
45	UCSP209	287.70	60.3	222.2	149.2	181.0	60.3	19.0	31.7	19.0	117.5	49.2	M16	UC209	SP209	7.80
50	UCSP210	310.45	69.8	266.7	171.5	215.9	63.5	19.0	38.1	22.2	134.9	51.6	M16	UC210	SP210	11.60
55	UCSP211	380.00	79.4	285.7	193.7	238.1	69.8	19.0	38.1	22.2	150.8	55.6	M16	UC211	SP211	14.20
60	UCSP212	401.25	79.4	292.1	200.0	238.1	76.2	22.2	38.1	22.2	154.0	65.1	M20	UC212	SP212	15.80
65	UCSP213	442.25	95.2	320.7	238.1	269.9	85.7	22.2	34.9	25.4	181.0	65.1	M20	UC213	SP213	20.40
70	UCSP214	688.70	95.2	320.7	238.1	269.9	85.7	22.2	34.9	25.4	181.0	74.6	M20	UC214	SP214	20.70
75	UCSP215	720.60	95.2	330.2	235.0	273.0	85.7	22.2	38.1	25.4	182.6	77.8	M20	UC215	SP215	23.80
80	UCSP216	1058.55	101.6	368.3	269.9	308.0	95.3	22.2	38.1	28.6	198.4	82.6	M20	UC216	SP216	30.00
85	UCSP217	1192.65	101.6	381.0	244.5	301.6	108.0	25.4	50.8	31.8	204.8	85.7	M22	UC217	SP217	36.80

Lubrication fitting tap size for 1" and smaller shaft sizes, 1/4-28 UNF; for all other sizes, 1/8-27 NPT

INTERCHANGES: SP



Set-Screw/Eccentric Locking
Narrow Inner Ring
Cast Iron Housing
Non-Relube
Insert Detail-pg.116,117
Inch and Metric

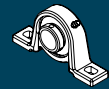


BLLP 200 Type
Set-Screw Locking

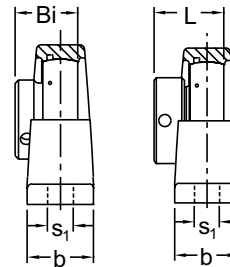
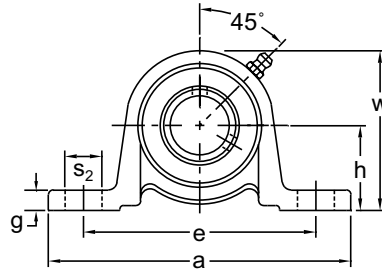
KHLLP 200 Type
Eccentric Collar Locking

Shaft Diam. (in.)	AMI Unit # Complete with B Type	List Price	AMI Unit # Complete with KH200 Type	List Price	Dimensions (in.)											Bolt Size (in.)	Bearing #		Housing #	Weight (lb.)			
					h	a	e		b	s ₁	s ₂	g	w	Bi	L		B	KH					
							Min.	Max.															
1/2	BLLP1-8	37.45	KHLLP201-8	38.85	1-3/16	4-1/2	3-3/16	3-11/16	1	7/16	5/8	15/32	2-1/4	0.866	1-1/8	3/8	B1-8	KH201-8	LLP3	0.90			
5/8	BLLP2-10		KHLLP202-10		3-9/16	4-1/16	1-1/16	7/16	5/8	1/2	2-1/2	0.972	1-7/32	3/8	B2-10	KH202-10	0.88						
3/4	BLLP4-12	37.95	KHLLP204-12	40.55	1-5/16	4-15/16	3-9/16	4-1/16	1-1/16	7/16	5/8	1/2	2-1/2	0.972	1-7/32	3/8	B4-12	KH204-12	LLP4	1.15			
7/8	BLLP5-14	41.20	KHLLP205-14	43.10	1-7/16	5-1/8	3-11/16	4-3/16	1-1/8	7/16	5/8	1/2	2-3/4	1.063	1-7/32	3/8	B5-14	KH205-14	LLP5	1.39			
15/16	BLLP5-15		KHLLP205-15															B5-15			KH205-15		
1	BLLP5-16		KHLLP205-16																		B5-16	KH205-16	
1-1/16	BLLP6-17	56.25	—	59.50	1-11/16	6-1/8	4-13/32	5-1/32	1-3/16	9/16	13/16	19/32	3-1/4	1.193	1-13/32	1/2	B6-17	—	LLP6	1.67			
1-1/8	BLLP6-18		KHLLP206-18																		B6-18	KH206-18	
1-3/16	BLLP6-19		KHLLP206-19																			B6-19	KH206-19
1-1/4	BLLP6-20		KHLLP206-20																			B6-20	KH206-20
1-1/4	BLLP7-20	70.85	KHLLP207-20	78.25	1-7/8	6-1/2	4-11/16	5-5/16	1-3/8	9/16	13/16	5/8	3-5/8	1.295	1-17/32	1/2	B7-20	KH207-20	LLP7	2.40			
1-5/16	BLLP7-21		KHLLP207-21																		B7-21	KH207-21	
1-3/8	BLLP7-22		KHLLP207-22																			B7-22	KH207-22
1-7/16	BLLP7-23		KHLLP207-23																			B7-23	KH207-23
Dimensions (mm)																							
12	BLLP1	37.45	KHLLP201	38.85	30.2	114	81	94	25	12	16	12	57	22	28.6	M10	B1	KH201	LLP3	0.90			
15	BLLP2		KHLLP202		33.3	125	91	103	27	12	16	13	64	24.7	31	M10	B2	KH202		0.88			
17	BLLP3		KHLLP203		40.55	125	91	103	27	12	16	13	64	24.7	31	M10	B3	KH203		0.86			
20	BLLP4	37.95	KHLLP204	40.55	33.3	125	91	103	27	12	16	13	64	24.7	31	M10	B4	KH204	LLP4	1.15			
25	BLLP5	41.20	KHLLP205	43.10	36.5	130	94	106	29	12	16	13	70	27	31	M10	B5	KH205	LLP5	1.39			
30	BLLP6	56.25	KHLLP206	59.50	42.9	156	112	128	33	14	21	15	83	30.3	35.7	M12	B6	KH206	LLP6	1.67			
35	BLLP7	70.85	KHLLP207	78.25	47.6	165	119	135	35	14	21	16	93	32.9	38.9	M12	B7	KH207	LLP7	2.40			

INTERCHANGES: ASPB PB100 AELPB



Set-Screw/Eccentric Locking
Narrow Inner Ring
Malleable Cast Housing
Insert Detail-pg.116,117
Inch and Metric



BPW 200 Type Set-Screw Locking KHPW 200 Type Eccentric Collar Locking

Shaft Diam. (in.)	AMI Unit # Complete with B Type	List Price	AMI Unit # Complete with KH200 Type	List Price	Dimensions (in.)											Bolt Size (in.)	Bearing #		Housing #	Weight (lb.)				
					h	a	e		b	s ₁	s ₂	g	w	Bi	L		B	KH						
							Min.	Max.																
1/2	BPW201-8	53.75	KHPW201-8	55.15	1-3/16	4-1/2	3-3/16	3-11/16	1	7/16	5/8	9/32	2-11/64	0.866	1-1/8	3/8	B1-8	KH201-8	PW203	0.68				
5/8	BPW202-10		KHPW202-10		1-5/16	4-15/16	3-9/16	4-1/16	1-1/16	7/16	5/8	5/16	2-7/16	0.972	1-7/32	3/8	B2-10	KH202-10		0.66				
3/4	BPW204-12	58.60	KHPW204-12	55.65	1-5/16	4-15/16	3-9/16	4-1/16	1-1/16	7/16	5/8	5/16	2-7/16	0.972	1-7/32	3/8	B4-12	KH204-12	PW204	0.82				
7/8	BPW205-14	59.50	KHPW205-14	61.40	1-7/16	5-1/8	3-11/16	4-3/16	1-1/8	7/16	5/8	11/32	2-45/64	1.063	1-7/32	3/8	B5-14	KH205-14	PW205	1.06				
15/16	BPW205-15		KHPW205-15															B5-15			KH205-15			
1	BPW205-16		KHPW205-16																		B5-16	KH205-16		
1-1/16	BPW206-17	73.45	—	76.70	1-11/16	6-5/32	4-13/32	5-1/32	1-5/16	9/16	13/16	3/8	3-3/16	1.193	1-13/32	1/2	B6-17	—	PW206	1.79				
1-1/8	BPW206-18		KHPW206-18																		B6-18	KH206-18		
1-3/16	BPW206-19		KHPW206-19																			B6-19	KH206-19	
1-1/4	BPW206-20		KHPW206-20																			B6-20	KH206-20	
1-1/4	BPW207-20	80.35	KHPW207-20	87.75	1-7/8	6-1/2	4-11/16	5-5/16	1-3/8	9/16	13/16	13/32	3-37/64	1.295	1-17/32	1/2	B7-20	KH207-20	PW207	2.42				
1-5/16	BPW207-21		KHPW207-21																			B7-21	KH207-21	
1-3/8	BPW207-22		KHPW207-22																				B7-22	KH207-22
1-7/16	BPW207-23		KHPW207-23																				B7-23	KH207-23
Dimensions (mm)																								
12	BPW201	53.75	KHPW201	55.15	30.2	114	81	94	25	11	16	7	55	22	28.6	M10	B1	KH201	PW203	0.68				
15	BPW202		KHPW202																		B2	KH202	0.67	
17	BPW203		KHPW203																		B3	KH203	0.65	
20	BPW204	58.60	KHPW204	55.65	33.3	125	91	103	27	11	16	8	62	24.7	31	M10	B4	KH204	PW204	0.83				
25	BPW205	59.50	KHPW205	61.40	36.5	130	94	106	29	11	16	9	69	27	31	M10	B5	KH205	PW205	1.07				
30	BPW206	73.45	KHPW206	76.70	42.9	156	112	128	33	14	21	10	81	30.3	35.7	M12	B6	KH206	PW206	1.81				
35	BPW207	80.35	KHPW207	87.75	47.6	165	119	135	35	14	21	10	91	32.9	38.9	M12	B7	KH207	PW207	2.45				

Lubrication fitting tap size for 1" and smaller shaft sizes, 1/4-28 UNF; for all other sizes, 1/8-27 NPT

INTERCHANGES:	VPS-1-M	LP	PB100	VPE-1-M	LP-E
---------------	---------	----	-------	---------	------

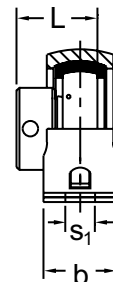
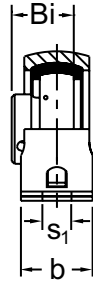
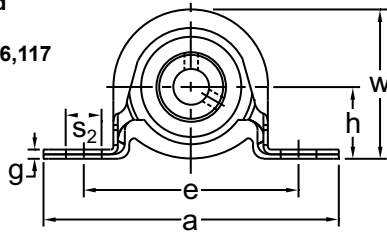


PRESSED STEEL PILLOW BLOCKS

BPR / KHPR 200

NORMAL DUTY

Set-Screw/Eccentric Locking
 Narrow Inner Ring
 Pressed Steel Housing
 Rubber Cushioned
 Non-Relube
 Insert Detail-pg.116,117
 Inch and Metric

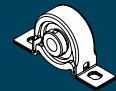


BPR 200 Type
Set-Screw Locking

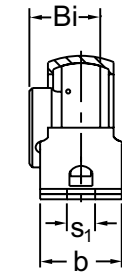
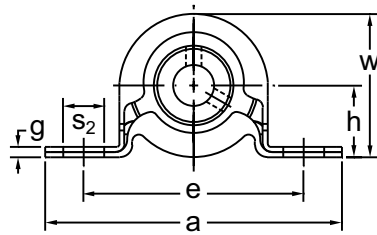
KHPR 200 Type
Eccentric Collar Locking

Shaft Diam. (in.)	AMI Unit # Complete with B Type	List Price	AMI Unit # Complete with KH200 Type	List Price	Dimensions (in.)											Stamping Load Limit (lbs.)	Bolt Size (in.)	Bearing #		Housing #	Rubber Ring #	Weight (lb.)
					h	a	e		b	s ₁	s ₂	g	w	Bi	L			B	KH			
							Min.	Max.														
1/2	BPR1-8	34.70	KHPR201-8	36.10	1	4-1/8	2-7/8	3-1/8	1	13/32	1/2	1/8	2-1/16	0.866	1-1/8	350	3/8	B1-8	KH201-8	PP4	R4	0.46
5/8	BPR2-10		KHPR202-10		3-3/16	3-9/16	1-1/8	13/32	9/16	5/32	2-7/32	0.972	1-7/32	400	3/8	B2-10	KH202-10	0.44				
3/4	BPR4-12	39.00	KHPR204-12	37.60	1-1/8	4-1/2	3-3/16	3-9/16	1-1/8	13/32	9/16	5/32	2-7/32	0.972	1-7/32	400	3/8	B4-12	KH204-12	PP5	R5	0.53
7/8	BPR5-14	41.80	KHPR205-14	41.80	1-5/16	4-7/8	3-9/16	3-15/16	1-1/4	13/32	9/16	5/32	2-5/8	1.063	1-7/32	600	3/8	B5-14	KH205-14	PP6	R6	0.77
15/16	BPR5-15		KHPR205-15															B5-15	KH205-15			
1	BPR5-16		KHPR205-16															B5-16	KH205-16			
1-1/16	BPR6-17	51.85	—	56.70	1-9/16	5-3/4	4	4-1/2	1-5/16	17/32	3/4	3/16	3-1/8	1.193	1-13/32	800	1/2	B6-17	—	PP7	R7	1.17
1-1/8	BPR6-18		KHPR206-18															B6-18	KH206-18			
1-3/16	BPR6-19		KHPR206-19															B6-19	KH206-19			
1-1/4	BPR6-20		KHPR206-20															B6-20	KH206-20			
Dimensions (mm)																						
12	BPR1	37.80	KHPR201	36.10	25.4	104.8	73	79	25.4	10.3	12.7	3.2	52.4	22	28.6	350	M10	B1	KH201	PP4	R4	0.47
15	BPR2		KHPR202															B2	KH202			0.45
17	BPR3		KHPR203															B3	KH203			0.42
20	BPR4	39.00	KHPR204	39.60	28.6	114.3	81	91	28.6	10.3	14.3	4	56.4	24.7	31	400	M10	B4	KH204	PP5	R5	0.54
25	BPR5	41.80	KHPR205	41.80	33.3	123.8	91	100	31.8	10.3	14.3	4	66.7	27	31	600	M10	B5	KH205	PP6	R6	0.78
30	BPR6	51.85	KHPR206	56.70	39.7	146.1	102	114	33.3	13.5	19.1	4.6	79.4	30.3	35.7	800	M12	B6	KH206	PP7	R7	1.18

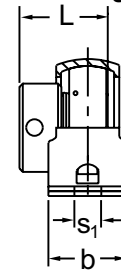
INTERCHANGES: SSRPS ASRPP SSRPE RPB SR-FM AELRPP LRP



NORMAL DUTY



BPP 200 Type
Set-Screw Locking



KHPP 200 Type
Eccentric Collar Locking

Set-Screw/Eccentric Locking
Narrow Inner Ring
Pressed Steel Housing
Non-Relube
Insert Detail-pg.116,117
Inch and Metric

Shaft Diam. (in.)	AMI Unit # Complete with B Type	List Price	AMI Unit # Complete with KH200 Type	List Price	Dimensions (in.)											Stamping Load Limit (lbs.)	Bolt Size (in.)	Bearing #		Housing #	Weight (lb.)
					h	a	e		b	s ₁	s ₂	g	w	Bi	L			B	KH		
							Min.	Max.													
1/2	BPP1-8	36.75	KHPP201-8	38.15	7/8	3-5/8	2-1/2	2-7/8	1	11/32	1/2	1/8	1-3/4	0.866	1-1/8	300	5/16	B1-8	KH201-8	PP3	0.39
5/8	BPP2-10		KHPP202-10		38.65	1	4-1/8	2-7/8	3-1/8	1	13/32	1/2	1/8	2-1/16	0.972	1-7/32	350	3/8	B2-10		KH202-10
3/4	BPP4-12	37.25	KHPP204-12	38.65	1	4-1/8	2-7/8	3-1/8	1	13/32	1/2	1/8	2-1/16	0.972	1-7/32	350	3/8	B4-12	KH204-12	PP4	0.55
7/8	BPP5-14	38.00	KHPP205-14	39.90	1-1/8	4-1/2	3-3/16	3-9/16	1-1/8	13/32	9/16	5/32	2-7/32	1.063	1-7/32	400	3/8	B5-14	KH205-14	PP5	0.73
15/16	BPP5-15		KHPP205-15															B5-15	KH205-15		
1	BPP5-16		KHPP205-16															B5-16	KH205-16		
1-1/16	BPP6-17	49.00	—	52.25	1-5/16	4-7/8	3-9/16	3-15/16	1-1/4	13/32	9/16	5/32	2-5/8	1.193	1-13/32	600	3/8	B6-17	—	PP6	1.06
1-1/8	BPP6-18		KHPP206-18															B6-18	KH206-18		
1-3/16	BPP6-19		KHPP206-19															B6-19	KH206-19		
1-1/4	BPP6-20		KHPP206-20															B6-20	KH206-20		
1-1/4	BPP7-20	61.45	KHPP207-20	68.85	1-9/16	5-3/4	4	4-1/2	1-5/16	17/32	3/4	3/16	3-1/8	1.295	1-17/32	800	1/2	B7-20	KH207-20	PP7	1.58
1-5/16	BPP7-21		KHPP207-21															B7-21	KH207-21		
1-3/8	BPP7-22		KHPP207-22															B7-22	KH207-22		
1-7/16	BPP7-23		KHPP207-23															B7-23	KH207-23		
Dimensions (mm)																					
12	BPP1	36.75	KHPP201	38.15	22.2	92.1	64	73	25.4	8.7	12.7	3.2	44.5	22	28.6	300	M8	B1	KH201	PP3	0.39
15	BPP2		KHPP202															B2	KH202		0.37
17	BPP3		KHPP203															B3	KH203		0.35
20	BPP4	37.25	KHPP204	38.65	25.4	104.8	73	79	25.4	10.3	12.7	3.2	52.4	24.7	31	350		B4	KH204	PP4	0.55
25	BPP5	38.00	KHPP205	39.90	28.6	114.3	81	91	28.6	10.3	14.3	4	56.4	27	31	400	M10	B5	KH205	PP5	0.73
30	BPP6	49.00	KHPP206	52.25	33.3	123.8	91	100	31.8	10.3	14.3	4	66.7	30.3	35.7	600		B6	KH206	PP6	1.06
35	BPP7	61.45	KHPP207	68.85	39.7	146.1	102	114	33.3	13.5	19.1	4.6	79.4	32.9	38.9	800	M12	B7	KH207	PP7	1.58

INTERCHANGES:	SSPS	P2B-SL	PS25	ASPP	SSP	SSPE	P2B-SLX	PB	S-FM	AELPP	SSP-E
---------------	------	--------	------	------	-----	------	---------	----	------	-------	-------

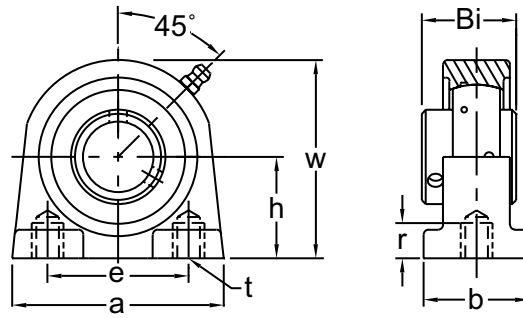


TAP BASE PILLOW BLOCKS

UCTB / UCPA 200

NORMAL DUTY

**Set-Screw Locking
Wide Inner Ring
Cast Iron Housing
Insert Detail-pg.112-113
Inch and Metric**



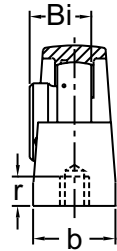
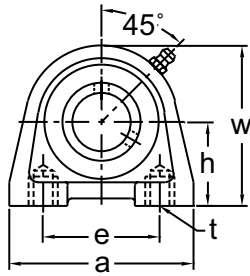
Shaft Diam. (in.)	AMI Unit #	List Price	Dimensions (in.)							Bolt Hole UNC Thread t (in.)	Bearing #	Housing #	Weight (lb.)
			h	a	e	b	r	w	Bi				
1/2	UCTB201-8	48.40	1-5/16	2-7/8	2	1-1/2	1/2	2-9/16	1.220	3/8-16	UC201-8	TB204	1.43
5/8	UCTB202-10										UC202-10		
3/4	UCTB204-12										UC204-12		
7/8	UCTB205-14	52.90	1-7/16	3	2	1-1/2	1/2	2-13/16	1.339	3/8-16	UC205-14	TB205	1.79
15/16	UCTB205-15										UC205-15		
1	UCTB205-16										UC205-16		
1-1/16	UCTB206-17	66.20	1-11/16	4	3	1-1/2	5/8	3-3/8	1.500	7/16-14	UC206-17	TB206	2.65
1-1/8	UCTB206-18										UC206-18		
1-3/16	UCTB206-19										UC206-19		
1-1/4	UCTB206-20										UC206-20		
1-1/4	UCTB207-20	82.00	1-7/8	4-1/4	3-1/4	1-7/8	3/4	3-3/4	1.689	1/2-13	UC207-20	TB207	3.75
1-5/16	UCTB207-21										UC207-21		
1-3/8	UCTB207-22										UC207-22		
1-7/16	UCTB207-23										UC207-23		
1-1/2	UCTB208-24	100.90	1-15/16	4-5/8	3-1/2	1-7/8	3/4	3-15/16	1.937	1/2-13	UC208-24	TB208	4.19
1-9/16	UCTB208-25										UC208-25		
1-5/8	UCTB209-26	109.65	2-1/8	5	3-3/4	2	3/4	4-1/4	1.937	1/2-13	UC209-26	TB209	4.85
1-11/16	UCTB209-27										UC209-27		
1-3/4	UCTB209-28										UC209-28		
1-7/8	UCTB210-30	130.90	2-1/4	5-1/2	4	2	7/8	4-5/8	2.031	5/8-11	UC210-30	TB210	5.73
1-15/16	UCTB210-31										UC210-31		
2	UCTB210-32										UC210-32		
2	UCTB211-32	202.70	2-1/4	5-1/2	4	2	7/8	4-5/8	2.189	5/8-11	UC211-32	TB211	6.4
2-1/8	UCTB211-34										UC211-34		
2-3/16	UCTB211-35										UC211-35		
Dimensions (mm)													
12	UCPA201	48.40	30.2	76	52	38	12	62	31	M10	UC201	PA204	1.45
15	UCPA202										UC202		1.40
17	UCPA203										UC203		1.38
20	UCPA204	48.40	30.2	76	52	38	12	62	31	M10	UC204	PA204	1.34
25	UCPA205	52.90	36.5	84	56	38	15	72	34	M10	UC205	PA205	1.81
30	UCPA206	66.20	42.9	94	66	48	18	84	38.1	M14	UC206	PA206	2.68
35	UCPA207	82.00	47.6	110	80	48	20	95	42.9	M14	UC207	PA207	3.79
40	UCPA208	100.90	49.2	116	84	54	20	100	49.2	M14	UC208	PA208	4.24
45	UCPA209	109.65	54.2	120	90	54	25	108	49.2	M14	UC209	PA209	4.91
50	UCPA210	130.90	57.2	130	94	60	25	116	51.6	M16	UC210	PA210	5.80

Lubrication fitting tap size for 1" and smaller shaft sizes, 1/4-28 UNF; for all other sizes, 1/8-27 NPT

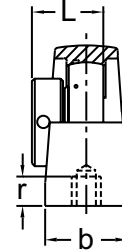
INTERCHANGES: VTBS TB-SC STB PT3U-N TBC25 UCUP TB



NORMAL DUTY



BSHE 200 Type Set-Screw Locking



KHSHE 200 Type Eccentric Collar Locking

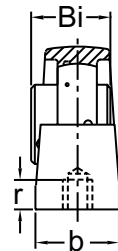
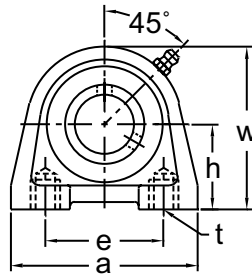
Set-Screw/Eccentric Locking
Narrow Inner Ring
Cast Iron Housing
Insert Detail-pg.116-117
Inch and Metric

Shaft Diam. (In.)	AMI Unit # Complete with B Type	List Price	AMI Unit # Complete with KH200 Type	List Price	Dimensions (in.)								Bolt Hole Thread t (mm)	Bearing #		Housing #	Weight (lb.)
					h	a	e	b	r	w	Bi	L		B	KH		
3/4	BSHE204-12	91.85	KHSHE204-12	93.50	1.311	2.756	2.000	1.260	0.393	2.520	0.972	1-7/32	M8	B4-12	KH204-12	SHE04	0.80
7/8	BSHE205-14	106.95	KHSHE205-14	110.00	1.437	3.150	2.000	1.417	0.492	2.756	1.063	1-7/32	M10	B5-14	KH205-14	SHE05	1.20
15/16	BSHE205-15		B5-15											KH205-15			
1	BSHE205-16		B5-16											KH205-16			
1-1/16	BSHE206-17	126.50	—	131.30	1.689	3.858	3.000	1.575	0.492	3.228	1.193	1-13/32	M10	B6-17	—	SHE06	1.80
1-1/8	BSHE206-18		B6-18											KH206-18			
1-3/16	BSHE206-19		B6-19											KH206-19			
1-1/4	BSHE206-20		B6-20											KH206-20			
1-1/4	BSHE207-20	167.20	KHSHE207-20	176.70	1.874	4.331	3.252	1.772	0.492	3.661	1.295	1-17/32	M10	B7-20	KH207-20	SHE07	3.00
1-5/16	BSHE207-21		B7-21											KH207-21			
1-3/8	BSHE207-22		B7-22											KH207-22			
1-7/16	BSHE207-23		B7-23											KH207-23			
1-1/2	BSHE208-24	207.60	KHSHE208-24	199.90	1.937	4.567	3.500	1.890	0.591	3.898	1.398	1-23/32	M12	B8-24	KH208-24	SHE08	3.40
1-5/8	—	—	KHSHE209-26	220.80	2.126	4.724	3.752	1.890	0.591	4.213	—	1-23/32	M12	—	KH209-26	SHE09	4.00
1-11/16			KHSHE209-27											KH209-27			
1-3/4			KHSHE209-28											KH209-28			
1-7/8	—	—	KHSHE210-30	257.45	2.252	5.315	4.000	2.087	0.787	4.528	—	1-23/32	M16	—	KH210-30	SHE10	4.80
1-15/16			KHSHE210-31											KH210-31			
2	—	—	KHSHE211-32	290.70	2.520	5.906	4.646	2.362	0.787	4.921	—	1-29/32	M16	—	KH211-32	SHE11	6.50
2-1/8			KHSHE211-34											KH211-34			
2-3/16	—	—	KHSHE211-35	—	—	—	—	—	—	—	—	—	—	—	KH211-35	—	—

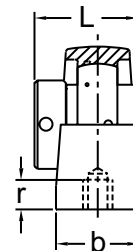
Dimensions (mm)																	
Shaft Diam. (mm)	AMI Unit # Complete with UC200 Type	List Price	AMI Unit # Complete with UG200 Type	List Price	h	a	e	b	r	w	Bi	L	Bolt Hole Thread t (mm)	Bearing # UC	Bearing # UG	Housing #	Weight (lb.)
20	BSHE204	91.85	KHSHE204	93.50	33.3	70	50.8	32	10.0	64	24.7	31.0	M8	B4	KH204	SHE04	0.80
25	BSHE205	106.95	KHSHE205	110.00	36.5	80	50.8	36	12.5	70	27.0	31.0	M10	B5	KH205	SHE05	1.20
30	BSHE206	126.50	KHSHE206	131.30	42.9	98	76.2	40	12.5	82	30.3	35.7	M10	B6	KH206	SHE06	1.80
35	BSHE207	167.20	KHSHE207	176.70	47.6	110	82.6	45	12.5	93	32.9	38.9	M10	B7	KH207	SHE07	2.80
40	BSHE208	207.60	KHSHE208	199.90	49.2	116	88.9	48	15.0	99	35.5	43.7	M12	B8	KH208	SHE08	3.40
45	—	—	KHSHE209	220.80	54.0	120	95.3	48	15.0	107	—	43.7	M12	—	KH209	SHE09	4.00
50	—	—	KHSHE210	257.45	57.2	135	101.6	53	20.0	115	—	43.7	M16	—	KH210	SHE10	4.60
55	—	—	KHSHE211	290.70	64.0	150	118.0	60	20.0	125	—	48.7	M16	—	KH211	SHE11	6.50

Lubrication fitting tap size for 1" and smaller shaft sizes, 1/4-28 UNF; for all other sizes, 1/8-27 NPT

INTERCHANGES: PSHE PSHEY



UCSHE 200 Type Set-Screw Locking



UGSHE 200 Type Eccentric Collar Locking

Set-Screw/Eccentric Locking
Wide Inner Ring
Cast Iron Housing
Insert Detail-pg.113,115
Metric

Dimensions (mm)																	
Shaft Diam. (mm)	AMI Unit # Complete with UC200 Type	List Price	AMI Unit # Complete with UG200 Type	List Price	h	a	e	b	r	w	Bi	L	Bolt Hole Thread t (mm)	Bearing # UC	Bearing # UG	Housing #	Weight (lb.)
20	UCSHE204	93.75	UGSHE204	98.50	33.3	70	50.8	32	10.0	64	31.0	43.7	M8	UC204	UG204	SHE04	1.00
25	UCSHE205	110.75	UGSHE205	121.30	36.5	80	50.8	36	12.5	70	34.0	44.4	M10	UC205	UG205	SHE05	1.40
30	UCSHE206	128.25	UGSHE206	140.40	42.9	98	76.2	40	12.5	82	38.1	48.4	M10	UC206	UG206	SHE06	2.00
35	UCSHE207	170.05	UGSHE207	187.60	47.6	110	82.6	45	12.5	93	42.9	51.1	M10	UC207	UG207	SHE07	3.20
40	UCSHE208	195.65	UGSHE208	213.60	49.2	116	88.9	48	15.0	99	49.2	56.3	M12	UC208	UG208	SHE08	3.80
45	UCSHE209	213.95	UGSHE209	233.50	54.0	120	95.3	48	15.0	107	49.2	56.3	M12	UC209	UG209	SHE09	4.40
50	UCSHE210	253.25	UGSHE210	265.85	57.2	135	101.6	53	20.0	115	51.6	62.7	M16	UC210	UG210	SHE10	5.40
55	UCSHE211	282.85	UGSHE211	305.70	64.0	150	118.0	60	20.0	125	55.6	71.4	M16	UC211	UG211	SHE11	7.20
60	UCSHE212	367.40	UGSHE212	318.95	69.9	150	118.0	61	20.0	140	65.1	77.8	M16	UC212	UG212	SHE12	9.80

Lubrication fitting tap size for 25mm and smaller shaft sizes, 1/4-28 UNF; for all other sizes, 1/8-27 NPT

INTERCHANGES: RSHE RSHEY

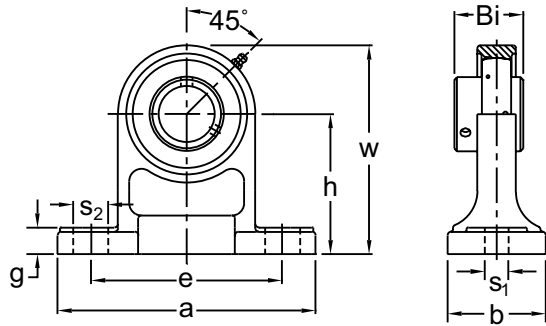


PEDESTAL BASE PILLOW BLOCKS

UCPH 200

NORMAL DUTY

**Set-Screw Locking
Wide Inner Ring
Cast Iron Housing
Insert Detail-pg.112-113
Inch and Metric**



Shaft Diam. (in.)	AMI Unit #	List Price	Dimensions (in.)										Bolt Size (in.)	Bearing #	Housing #	Weight (lb.)
			h	a	e		b	s ₁	s ₂	g	w	Bi				
					Min.	Max.										
1/2	UCPH201-8	75.40	2-3/4	5	3-3/8	4-1/8	1-9/16	1/2	3/4	19/32	3-31/32	1.220	3/8	UC201-8	PH204	2.20
5/8	UCPH202-10				4-1/8	1-9/16	1/2	3/4	19/32	3-31/32	1.220	UC202-10		2.18		
3/4	UCPH204-12				4-1/8	1-9/16	1/2	3/4	19/32	3-31/32	1.220	UC204-12		2.11		
7/8	UCPH205-14	87.55	3-5/32	5-1/2	3-3/4	4-1/2	1-31/32	1/2	3/4	5/8	4-1/2	1.339	3/8	UC205-14	PH205	2.64
15/16	UCPH205-15				3-3/4	4-1/2	1-31/32	1/2	3/4	5/8	4-1/2	1.339		UC205-15		
1	UCPH205-16				3-3/4	4-1/2	1-31/32	1/2	3/4	5/8	4-1/2	1.339		UC205-16		
1-1/16	UCPH206-17	114.20	3-17/32	6-1/2	4-7/16	5-1/16	1-31/32	21/32	13/16	23/32	5-1/8	1.500	1/2	UC206-17	PH206	4.18
1-1/8	UCPH206-18				4-7/16	5-1/16	1-31/32	21/32	13/16	23/32	5-1/8	1.500		UC206-18		
1-3/16	UCPH206-19				4-7/16	5-1/16	1-31/32	21/32	13/16	23/32	5-1/8	1.500		UC206-19		
1-1/4	UCPH206-20				4-7/16	5-1/16	1-31/32	21/32	13/16	23/32	5-1/8	1.500		UC206-20		
1-1/4	UCPH207-20	134.05	3-3/4	6-9/16	4-11/16	5-5/16	2-3/8	21/32	13/16	3/4	5-1/2	1.689	1/2	UC207-20	PH207	5.29
1-5/16	UCPH207-21				4-11/16	5-5/16	2-3/8	21/32	13/16	3/4	5-1/2	1.689		UC207-21		
1-3/8	UCPH207-22				4-11/16	5-5/16	2-3/8	21/32	13/16	3/4	5-1/2	1.689		UC207-22		
1-7/16	UCPH207-23				4-11/16	5-5/16	2-3/8	21/32	13/16	3/4	5-1/2	1.689		UC207-23		
1-1/2	UCPH208-24	164.90	3-15/16	7-1/4	4-7/8	5-7/8	2-3/4	21/32	1	3/4	5-7/8	1.937	1/2	UC208-24	PH208	6.12
1-9/16	UCPH208-25				4-7/8	5-7/8	2-3/4	21/32	1	3/4	5-7/8	1.937		UC208-25		
1-5/8	UCPH209-26	188.00	4-1/8	7-1/2	5-1/4	6-1/4	2-3/4	21/32	1	25/32	6-3/16	1.937	1/2	UC209-26	PH209	7.05
1-11/16	UCPH209-27				5-1/4	6-1/4	2-3/4	21/32	1	25/32	6-3/16	1.937		UC209-27		
1-3/4	UCPH209-28				5-1/4	6-1/4	2-3/4	21/32	1	25/32	6-3/16	1.937		UC209-28		
1-7/8	UCPH210-30	213.30	4-11/32	8-1/8	5-7/8	6-5/8	2-3/4	25/32	1	7/8	6-1/2	2.031	5/8	UC210-30	PH210	7.93
1-15/16	UCPH210-31				5-7/8	6-5/8	2-3/4	25/32	1	7/8	6-1/2	2.031		UC210-31		
2	UCPH210-32				5-7/8	6-5/8	2-3/4	25/32	1	7/8	6-1/2	2.031		UC210-32		
Dimensions (mm)																
12	UCPH201	75.40	70	127	86	105	40	13	19	15	101	31	M10	UC201	PH204	2.23
15	UCPH202				86	105	40	13	19	15	101	31		UC202		2.21
17	UCPH203				86	105	40	13	19	15	101	31		UC203		2.19
20	UCPH204	75.40	70	127	86	105	40	13	19	15	101	31	M10	UC204	PH204	2.14
25	UCPH205	87.55	80	140	95	114	50	13	19	16	114	34	M10	UC205	PH205	2.68
30	UCPH206	114.20	90	165	113	129	50	17	21	18	130	38.1	M14	UC206	PH206	4.24
35	UCPH207	134.05	95	167	119	135	60	17	21	19	140	42.9	M14	UC207	PH207	5.35
40	UCPH208	164.90	100	184	124	149	70	17	25	19	149	49.2		UC208	PH208	6.24
45	UCPH209	188.00	105	190	133	159	70	17	25	20	157	49.2		UC209	PH209	7.14
50	UCPH210	213.30	110	206	149	168	70	20	25	22	165	51.6	M16	UC210	PH210	8.03

Lubrication fitting tap size for 1" and smaller shaft sizes, 1/4-28 UNF; for all other sizes, 1/8-27 NPT

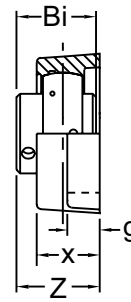
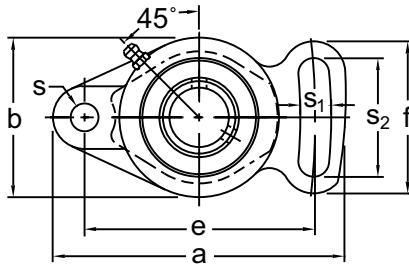
INTERCHANGES: UCPH UCHP

UCFA 200

TWO-BOLT ADJUSTABLE FLANGE UNITS



NORMAL DUTY



**Set-Screw Locking
Wide Inner Ring
Cast Iron Housing
Insert Detail-pg.112-113
Inch and Metric**

Shaft Diam. (in.)	AMI Unit #	List Price	Dimensions (in.)											Bolt Size (in.)	Bearing #	Housing #	Weight (lb.)	
			a	e	g	x	s	s ₁	s ₂	b	f	Z	Bi					
1/2	UCFA201-8	54.14	4-1/64	3-1/16	15/32	1	25/64	25/64	1-37/64	2-3/8	2-1/8	1.312	1.220	5/16	UC201-8	FA204	1.12	
5/8	UCFA202-10														UC202-10			
3/4	UCFA204-12														UC204-12			
7/8	UCFA205-14	59.20	4-59/64	3-55/64	35/64	1-1/16	15/32	33/64	2	2-11/16	2-9/16	1.406	1.339	3/8	UC205-14	FA205	1.45	
15/16	UCFA205-15														UC205-15			
1	UCFA205-16														UC205-16			
1-1/16	UCFA206-17	69.60	5-43/64	4-39/64	35/64	1-7/32	15/32	33/64	2-9/32	3-5/32	2-53/64	1.593	1.500	3/8	UC206-17	FA206	2.20	
1-1/8	UCFA206-18														UC206-18			
1-3/16	UCFA206-19														UC206-19			
1-1/4	UCFA206-20														UC206-20			
1-1/4	UCFA207-20	84.45	6-11/32	5-1/8	5/8	1-11/32	35/64	19/32	2-19/32	3-35/64	3-15/64	1.750	1.689	1/2	UC207-20	FA207	3.08	
1-5/16	UCFA207-21														UC207-21			
1-3/8	UCFA207-22														UC207-22			
1-7/16	UCFA207-23														UC207-23			
1-1/2	UCFA208-24	100.90	6-57/64	5-43/64	5/8	1-13/32	35/64	19/32	2-51/64	3-15/16	3-27/64	2.016	1.937	1/2	UC208-24	FA208	3.74	
1-9/16	UCFA208-25														UC208-25			
1-5/8	UCFA209-26	109.65	7-1/8	5-53/64	45/64	1-1/2	5/8	43/64	2-53/64	4-1/4	3-35/64	2.063	1.937	1/2	UC209-26	FA209	4.4	
1-11/16	UCFA209-27														UC209-27			
1-3/4	UCFA209-28														UC209-28			
1-7/8	UCFA210-30	130.90	7-1/2	6-3/16	45/64	1-37/64	5/8	43/64	3	4-17/32	3-45/64	2.156	2.031	1/2	UC210-30	FA210	5.28	
1-15/16	UCFA210-31														UC210-31			
2	UCFA210-32														UC210-32			
2	UCFA211-32														UC211-32			
2-1/8	UCFA211-34	163.50	8-5/8	7-1/4	25/32	1-11/16	5/8	43/64	3-3/8	5-1/8	4-3/32	2.297	2.189	1/2	UC211-34	FA211	7.48	
2-3/16	UCFA211-35														UC211-35			
Dimensions (mm)																		
12	UCFA201	54.15	102	78	12	25.4	10	10	40	60	54	33.3	31	M8	UC201	FA204	1.12	
15	UCFA202														UC202		1.09	
17	UCFA203														UC203		1.07	
20	UCFA204	54.15	102	78	12	25.4	10	10	40	60	54	33.3	31	M8	UC204	FA204	1.03	
25	UCFA205	59.20	125	98	14	27	12	13	51	68	65	35.7	34	M10	UC205	FA205	1.47	
30	UCFA206	69.60	144	117	14	31	12	13	58	80	72	40.2	38.1	M10	UC206	FA206	2.23	
35	UCFA207	84.45	161	130	16	34	14	15	66	90	82	44.4	42.9	M12	UC207	FA207	3.12	
40	UCFA208	100.90	175	144	16	36	14	15	71	100	87	51.2	49.2	M12	UC208	FA208	3.79	
45	UCFA209	109.65	181	148	18	38	16	17	72	108	90	52.2	49.2	M14	UC209	FA209	4.46	
50	UCFA210	130.90	190	157	18	40	16	17	76	115	94	54.6	51.6	M14	UC210	FA210	5.35	
55	UCFA211	163.50	219	184	20	43	16	17	86	130	104	58.4	55.6	M14	UC211	FA211	7.58	

Lubrication fitting tap size for 1" and smaller shaft sizes, 1/4-28 UNF; for all other sizes, 1/8-27 NPT

INTERCHANGES: UCFA PSFT

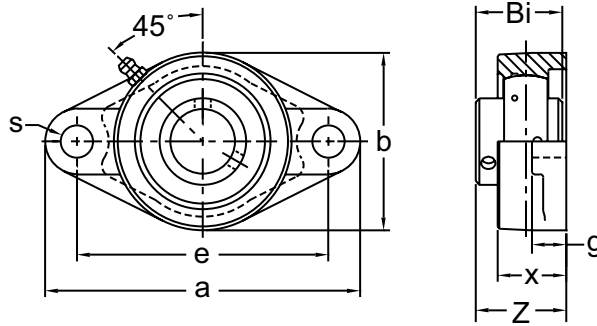


TWO-BOLT FLANGE UNITS

UCFL 200

NORMAL DUTY

**Set-Screw Locking
Wide Inner Ring
Cast Iron Housing
Insert Detail-pg.112-113
Covers Available-pg.59
Inch and Metric**



Shaft Diam. (in.)	AMI Unit #	List Price	Dimensions (in.)								Bolt Size (in.)	Bearing #	Housing #	Weight (lb.)
			a	e	g	x	s	b	Z	Bi				
1/2	UCFL201-8	44.50	4-7/16	3-35/64	15/32	1	15/32	2-3/8	1.311	1.220	3/8	UC201-8	FL204	1.10
5/8	UCFL202-10											UC202-10		1.06
11/16	UCFL203-11											UC203-11		1.04
3/4	UCFL204-12											UC204-12		0.99
7/8	UCFL205-14	49.00	5-1/8	3-57/64	9/16	1-1/16	5/8	2-11/16	1.406	1.339	9/16	UC205-14	FL205	1.39
15/16	UCFL205-15	49.00										UC205-15		
1	UCFL205-16	46.65										UC205-16		
1-1/16	UCFL206-17	64.95	5-13/16	4-39/64	9/16	1-7/32	5/8	3-1/8	1.583	1.500	9/16	UC206-17	FL206	2.12
1-1/8	UCFL206-18											UC206-18		
1-3/16	UCFL206-19											UC206-19		
1-1/4	UCFL206-20											UC206-20		
1-1/4	UCFL207-20	75.45	6-5/16	5-1/8	5/8	1-11/32	5/8	3-9/16	1.748	1.689	9/16	UC207-20	FL207	2.64
1-5/16	UCFL207-21											UC207-21		
1-3/8	UCFL207-22											UC207-22		
1-7/16	UCFL207-23											UC207-23		
1-1/2	UCFL208-24	89.40	6-7/8	5-43/64	5/8	1-13/32	5/8	3-15/16	2.016	1.937	9/16	UC208-24	FL208	3.53
1-9/16	UCFL208-25											UC208-25		
1-5/8	UCFL209-26	99.60	7-3/8	5-53/64	23/32	1-1/2	3/4	4-1/4	2.055	1.937	5/8	UC209-26	FL209	4.19
1-11/16	UCFL209-27											UC209-27		
1-3/4	UCFL209-28											UC209-28		
1-7/8	UCFL210-30	118.35	7-3/4	6-3/16	23/32	1-9/16	3/4	4-1/2	2.150	2.031	5/8	UC210-30	FL210	4.85
1-15/16	UCFL210-31											UC210-31		
2	UCFL210-32											UC210-32		
2	UCFL211-32	146.85	8-13/16	7-1/4	25/32	1-11/16	3/4	5-1/8	2.299	2.189	5/8	UC211-32	FL211	7.05
2-1/8	UCFL211-34											UC211-34		
2-3/16	UCFL211-35											UC211-35		
2-1/4	UCFL212-36	189.85	9-13/16	7-61/64	25/32	1-7/8	29/32	5-1/2	2.705	2.563	3/4	UC212-36	FL212	9.04
2-3/8	UCFL212-38											UC212-38		
2-7/16	UCFL212-39											UC212-39		
2-1/2	UCFL213-40	244.60	10-3/16	8-17/64	15/16	1-31/32	29/32	6-1/8	2.744	2.563	3/4	UC213-40	FL213	11.24
2-11/16	UCFL214-43	294.40	10-7/16	8-1/2	15/16	2-1/8	29/32	6-5/16	2.969	2.937	3/4	UC214-43	FL214	13.22
2-3/4	UCFL214-44											UC214-44		
2-15/16	UCFL215-47	399.10	10-13/16	8-55/64	15/16	2-7/32	29/32	6-1/2	3.091	3.063	3/4	UC215-47	FL215	14.33
3	UCFL215-48											UC215-48		
3-1/4	UCFL217-52	595.50	12	9-49/64	1-1/32	2-15/32	63/64	7-1/2	3.449	3.374	7/8	UC217-52	FL217	20.94
3-7/16	UCFL217-55											UC217-55		
3-1/2	UCFL218-56	717.10	12-5/8	10-7/16	1-1/32	2-11/16	63/64	8-1/16	3.791	3.780	7/8	UC218-56	FL218	26.23
Dimensions (mm)														
12	UCFL201	44.50	113	90	12	25.4	12	60	33.3	31	M10	UC201	FL204	1.12
15	UCFL202											UC202		1.07
17	UCFL203											UC203		1.05
20	UCFL204	44.50	113	90	12	25.4	12	60	33.3	31	M10	UC204	FL204	1.00
25	UCFL205	49.00	130	99	14	27	16	68	35.7	34	M14	UC205	FL205	1.40
30	UCFL206	64.95	148	117	14	31	16	80	40.2	38.1	M14	UC206	FL206	2.14
35	UCFL207	75.45	161	130	16	34	16	90	44.4	42.9	M14	UC207	FL207	2.68
40	UCFL208	89.40	175	144	16	36	16	100	51.2	49.2	M14	UC208	FL208	3.57
45	UCFL209	99.60	188	148	18	38	19	108	52.2	49.2	M16	UC209	FL209	4.24
50	UCFL210	118.35	197	157	18	40	19	115	54.6	51.6	M16	UC210	FL210	4.91
55	UCFL211	146.85	224	184	20	43	19	130	58.4	55.6	M16	UC211	FL211	7.14
60	UCFL212	189.85	250	202	20	48	23	140	68.7	65.1	M20	UC212	FL212	9.14
65	UCFL213	244.60	258	210	24	50	23	155	69.7	65.1	M20	UC213	FL213	11.4
70	UCFL214	294.40	265	216	24	54	23	160	75.4	74.6		UC214	FL214	13.4
75	UCFL215	399.10	275	225	24	56	23	165	78.5	77.8		UC215	FL215	14.5
80	UCFL216	552.10	290	233	24	58	25	180	83.3	82.6	M22	UC216	FL216	17.9
85	UCFL217	595.50	305	248	26	63	25	190	87.6	85.7		UC217	FL217	21.2
90	UCFL218	717.10	320	265	26	68	25	205	96.3	96		UC218	FL218	26.5

Lubrication fitting tap size for 1" and smaller shaft sizes, 1/4-28 UNF; for all other sizes, 1/8-27 NPT

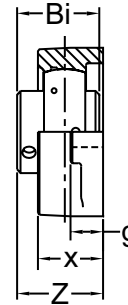
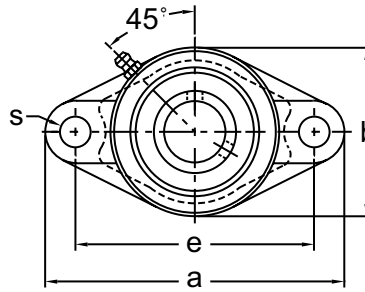
INTERCHANGES: UCFL

UCFT 200

TWO-BOLT FLANGE UNITS



NORMAL DUTY



**Set-Screw Locking
Wide Inner Ring
Cast Iron Housing
Insert Detail-pg.112-113
Inch and Metric**

Shaft Diam. (in.)	AMI Unit #	List Price	Dimensions (in.)								Bolt Size (in.)	Bearing #	Housing #	Weight (lb.)
			a	e	g	x	s	b	Z	Bi				
1/2	UCFT201-8	44.50	4-13/32	3	7/16	31/32	13/32	2-3/8	1.302	1.024	3/8	UCW201-8	FT203	1.06
9/16	UCFT202-9											UCW202-9		1.04
5/8	UCFT202-10											UCW202-10		1.04
11/16	UCFT203-11											UCW203-11		1.01
3/4	UCFT204-12	44.50	4-13/32	3-17/32	7/16	31/32	13/32	2-3/8	1.283	1.220	3/8	UC204-12	FT204	1.01
7/8	UCFT205-14	49.00	4-7/8	3-57/64	17/32	1-1/16	1/2	2-3/4	1.401	1.339	7/16	UC205-14	FT205	1.41
15/16	UCFT205-15	UC205-15												
1	UCFT205-16	UC205-16												
1-1/16	UCFT206-17	64.95	5-9/16	4-19/32	17/32	1-3/16	1/2	3-1/4	1.577	1.500	7/16	UC206-17	FT206	2.12
1-1/8	UCFT206-18											UC206-18		
1-3/16	UCFT206-19											UC206-19		
1-1/4	UCFT206-20											UC206-20		
1-1/4	UCFT207-20	75.45	6-1/8	5-1/8	9/16	1-11/32	35/64	3-3/4	1.750	1.689	1/2	UC207-20	FT207	3.08
1-5/16	UCFT207-21											UC207-21		
1-3/8	UCFT207-22											UC207-22		
1-7/16	UCFT207-23											UC207-23		
1-1/2	UCFT208-24	89.40	6-3/4	5-21/32	9/16	1-1/2	35/64	4-1/8	2.017	1.937	1/2	UC208-24	FT208	3.97
1-9/16	UCFT208-25											UC208-25		
1-5/8	UCFT209-26	99.60	7-1/16	5-27/32	9/16	1-9/16	5/8	4-3/8	2.048	1.937	9/16	UC209-26	FT209	4.41
1-11/16	UCFT209-27											UC209-27		
1-3/4	UCFT209-28											UC209-28		
1-7/8	UCFT210-30	118.35	7-7/16	6-3/16	9/16	1-9/16	5/8	4-9/16	2.158	2.031	9/16	UC210-30	FT210	4.63
1-15/16	UCFT210-31											UC210-31		
2	UCFT210-32											UC210-32		
2	UCFT211-32	146.85	8-1/2	7-1/4	13/16	1-3/4	21/32	5-1/4	2.315	2.189	5/8	UC211-32	FT211	7.05
2-1/8	UCFT211-34											UC211-34		
2-3/16	UCFT211-35											UC211-35		
Dimensions (mm)														
12	UCFT201	44.50	112	76.2	11	25	10.5	60	33.1	26	M8	UCW201	FT203	1.07
15	UCFT202											UCW202		1.05
17	UCFT203											UCW203		1.03
20	UCFT204	44.50	112	89.7	11	25	10.5	60	32.6	31	M8	UC204	FT204	1.03
25	UCFT205	49.00	124	98.8	13	27	12.5	70	35.6	34	M10	UC205	FT205	1.43
30	UCFT206	64.95	141	116.7	13	30	12.5	83	40.1	38.1	M10	UC206	FT206	2.14
35	UCFT207	75.45	156	130.2	14	34	14	95	44.5	42.9	M12	UC207	FT207	3.12
40	UCFT208	89.40	171	143.7	14	38	14	105	51.2	49.2	M12	UC208	FT208	4.01
45	UCFT209	99.60	179	148.4	14	40	16	111	52	49.2	M14	UC209	FT209	4.46
50	UCFT210	118.35	189	157.2	14	40	16	116	54.8	51.6	M14	UC210	FT210	4.68
55	UCFT211	146.85	216	184.2	21	44	17	133	58.8	55.6	M16	UC211	FT211	7.14

Lubrication fitting tap size for 1" and smaller shaft sizes, 1/4-28 UNF; for all other sizes, 1/8-27 NPT

INTERCHANGES: VF2S-2 F2B-SC YCJT FX3U-N FC2-25 FYTB-TR SFT

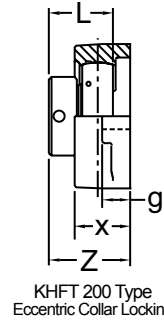
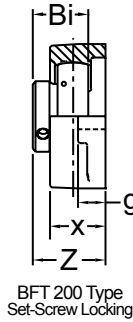
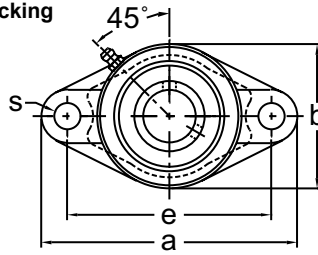


TWO-BOLT FLANGE UNITS

BFT / KHFT200

NORMAL DUTY

Set-Screw/Eccentric Locking
Narrow Inner Ring
Cast Iron Housing
Insert Detail-pg.116,117
Inch and Metric



BFT 200 Type
Set-Screw Locking

KHFT 200 Type
Eccentric Collar Locking

Shaft Diam. (in.)	AMI Unit # Complete with B Type	List Price	AMI Unit # Complete with KH200 Type	List Price	Dimensions (in.)										Bolt Size (in.)	Bearing #		Housing #	Weight (lb.)
					a	e	g	x	s	b	Z		Bi	L		B	KH		
											BFT	KHFT							
1/2	BFT201-8	42.60	KHFT201-8	43.20	4-13/32	3	7/16	31/32	13/32	2-3/8	1.303	1.543	0.866	1-1/8	3/8	B1-8	KH201-8	FT203	0.86
5/8	BFT202-10		KHFT202-10		4-13/32	3-17/32	7/16	31/32	13/32	2-3/8	1.260	1.488	0.972	1-7/32	3/8	B2-10	KH202-10		
3/4	BFT204-12	42.60	KHFT204-12	43.20	4-13/32	3-17/32	7/16	31/32	13/32	2-3/8	1.260	1.488	0.972	1-7/32	3/8	B4-12	KH204-12	FT204	1.01
7/8	BFT205-14	45.20	KHFT205-14	47.10	4-7/8	3-57/64	17/32	1-1/16	1/2	2-3/4	1.394	1.551	1.063	1-7/32	7/16	B5-14	KH205-14	FT205	1.43
15/16	BFT205-15	45.20	KHFT205-15													B5-15	KH205-15		
1	BFT205-16	42.85	KHFT205-16													B5-16	KH205-16		
1-1/8	BFT206-18	63.20	KHFT206-18	66.45	5-9/16	4-19/32	17/32	1-3/16	1/2	3-1/4	1.583	1.756	1.193	1-13/32	7/16	B6-18	KH206-18	FT206	2.12
1-3/16	BFT206-19		KHFT206-19													B6-19	KH206-19		
1-1/4	BFT206-20		KHFT206-20													B6-20	KH206-20		
1-1/4	BFT207-20	72.60	KHFT207-20	80.00	6-1/8	5-1/8	9/16	1-11/32	35/64	3-3/4	1.713	1.909	1.295	1-17/32	1/2	B7-20	KH207-20	FT207	3.1
1-5/16	BFT207-21		KHFT207-21													B7-21	KH207-21		
1-3/8	BFT207-22		KHFT207-22													B7-22	KH207-22		
1-7/16	BFT207-23		KHFT207-23													B7-23	KH207-23		
1-1/2	BFT208-24		101.35													KHFT208-24	91.20		
1-5/8	—	—	KHFT209-26	103.65	7-1/16	5-27/32	9/16	1-9/16	5/8	4-3/8	—	2.146	—	1-23/32	9/16	—	KH209-26	FT209	4.36
1-11/16	—	—	KHFT209-27													—	KH209-27		
1-3/4	—	—	KHFT209-28													—	KH209-28		
1-7/8	—	—	KHFT210-30	119.40	7-7/16	6-3/16	9/16	1-9/16	5/8	4-9/16	—	2.161	—	1-23/32	9/16	—	KH210-30	FT210	4.56
1-15/16	—	—	KHFT210-31													—	KH210-31		
2	—	—	KHFT211-32	160.10	8-1/2	7-1/4	13/16	1-3/4	21/32	5-1/4	—	2.433	—	1-29/32	5/8	—	KH211-32	FT211	6.85
2-1/8	—	—	KHFT211-34													—	KH211-34		
2-3/16	—	—	KHFT211-35													—	KH211-35		
Dimensions (mm)																			
12	BFT201	42.60	KHFT201	43.20	112	76.2	11	25	10.5	60	33.1	39.2	22	28.6	M8	B1	KH201	FT203	0.86
15	BFT202		B2													KH202			
17	BFT203		B3													KH203			
20	BFT204	42.60	KHFT204	43.20	112	89.7	11	25	10.5	60	32.0	37.8	24.7	31	M8	B4	KH204	FT204	1.01
25	BFT205	45.20	KHFT205	47.10	124	98.8	13	27	12.5	70	35.4	39.4	27	31	M10	B5	KH205	FT205	1.43
30	BFT206	63.20	KHFT206	66.45	141	116.7	13	30	12.5	83	40.2	44.6	30.3	35.7	M10	B6	KH206	FT206	2.12
35	BFT207	72.60	KHFT207	80.00	156	130.2	14	34	14	95	43.5	48.5	32.9	38.9	M12	B7	KH207	FT207	3.10
40	BFT208	101.35	KHFT208	91.20	171	143.7	14	38	14	105	47.5	53.7	35.5	43.7	M12	B8	KH208	FT208	3.97
45	—	—	KHFT209	103.65	179	148.4	14	40	16	111	—	54.5	—	43.7	M14	—	KH209	FT209	4.36
50	—	—	KHFT210	119.40	189	157.2	14	40	16	116	—	54.9	—	43.7	M14	—	KH210	FT210	4.56
55	—	—	KHFT211	160.10	216	184.2	21	44	17	133	—	61.8	—	48.7	M16	—	KH211	FT211	7.12

Lubrication fitting tap size for 1" and smaller shaft sizes, 1/4-28 UNF; for all other sizes, 1/8-27 NPT

INTERCHANGES: VF2E-1 F2B-SXV VCJT FX3W-U FYT-FM AELFL VFT-E

UGFJT 200

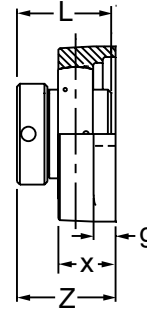
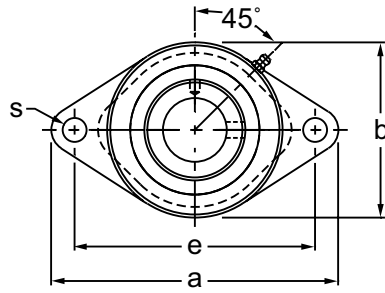
TWO-BOLT FLANGE UNITS



NORMAL DUTY



Fafnir® "RCJT" Style



**Eccentric Locking
Wide Inner Ring
Cast Iron Housing
Insert Detail-pg.115
Inch and Metric**

Shaft Diam. (in.)	AMI Unit #	List Price	Dimensions (in.)								Bolt Size (in.)	Bearing #	Housing #	Weight (lb.)
			a	e	g	x	s	b	Z	L				
1/2	UGFJT201-8	54.80	3-57/64	3	13/32	1	29/64	2-1/4	1.591	1-15/32	3/8	UGW201-8	FJT203	1.35
5/8	UGFJT202-10											UGW202-10		
3/4	UGFJT204-12	54.80	4-13/32	3-17/32	13/32	1-7/64	29/64	2-13/32	1.795	1-23/32	3/8	UG204-12	FJT204	1.30
7/8	UGFJT205-14	62.60	4-7/8	3-57/64	7/16	1-9/64	29/64	2-3/4	1.807	1-3/4	3/8	UG205-14	FJT205	1.35
15/16	UGFJT205-15											UG205-15		
1	UGFJT205-16											UG205-16		
1-1/8	UGFJT206-18	77.90	5-19/32	4-19/32	31/64	1-9/64	29/64	3-9/64	1.972	1-29/32	3/8	UG206-18	FJT206	2.30
1-3/16	UGFJT206-19											UG206-19		
1-1/4	UGFJT206-20											UG206-20		
1-1/4	UGFJT207-20	95.20	6-7/64	5-1/8	31/64	1-1/4	9/16	3-5/8	2.098	2-1/64	1/2	UG207-20	FJT207	3.25
1-5/16	UGFJT207-21											UG207-21		
1-3/8	UGFJT207-22											UG207-22		
1-7/16	UGFJT207-23											UG207-23		
1-1/2	UGFJT208-24	107.90	6-3/4	5-21/32	33/64	1-11/32	9/16	4-1/8	2.319	2-7/32	1/2	UG208-24	FJT208	4.65
1-9/16	*UGFJT208-25											UG208-25		
1-5/8	UGFJT209-26	116.80	7-13/32	5-27/32	33/64	1-3/8	9/16	4-3/8	2.319	2-7/32	1/2	UG209-26	FJT209	5.60
1-11/16	UGFJT209-27											UG209-27		
1-3/4	UGFJT209-28											UG209-28		
1-7/8	UGFJT210-30	150.60	7-1/2	6-3/16	33/64	1-17/32	43/64	4-9/16	2.602	2-15/32	5/8	UG210-30	FJT210	5.95
1-15/16	UGFJT210-31											UG210-31		
2	UGFJT210-32											UG210-32		
2	UGFJT211-32	197.00	8-3/4	7-1/4	19/32	1-45/64	43/64	5-1/4	2.937	2-13/16	5/8	UG211-32	FJT211	8.05
2-1/8	UGFJT211-34											UG211-34		
2-3/16	UGFJT211-35											UG211-35		
Dimensions (mm)														
20	UGFJT204	54.80	112	90	10	28	11.5	61	45.6	43.7		UG204	FJT204	1.30
25	UGFJT205	62.60	124	90	11	29	11.5	70	45.9	44.4	M10	UG205	FJT205	1.35
30	UGFJT206	77.90	142	116.5	12	29	11.5	80	50.1	48.4		UG206	FJT206	2.30
35	UGFJT207	95.20	155	130	12	31	14	92	53.3	51.1		UG207	FJT207	3.25
40	UGFJT208	107.90	172	143.5	13	34	14	105	58.9	56.3	M12	UG208	FJT208	4.65
45	UGFJT209	116.80	188	148.5	13	35	14	111	58.9	56.3		UG209	FJT209	5.60
50	UGFJT210	150.60	190	157	13	39	17	116	66.1	62.7		UG210	FJT210	5.95
55	UGFJT211	197.00	222	184	15	43	17	134	74.6	71.4	M16	UG211	FJT211	8.05

*Consult factory for availability

Lubrication fitting tap size for 1" and smaller shaft sizes, 1/4-28 UNF; for all other sizes, 1/8-27 NPT

INTERCHANGES: VF2E-2 F2B-SXR RCJT FYT-WM UELFLU RFT-E

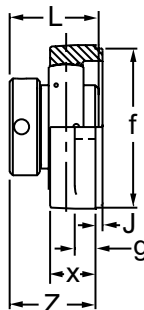
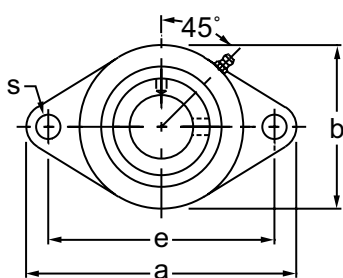


PILOTED TWO-BOLT FLANGE UNITS

UGCJTZ 200

NORMAL DUTY

**Eccentric Locking
Wide Inner Ring
Cast Iron Housing
Insert Detail-pg.115
Inch and Metric**



Shaft Diam. (in.)	AMI Unit #	List Price	Dimensions (in.)										Bolt Size (in.)	Bearing #	Housing #	Weight (lb.)
			a	e	g	x	s	b	J	f	Z	L				
3/4	UGCJTZ204-12	65.75	4-13/32	3.543	25/64	1-7/32	0.453	2-23/64	0.138	2.165	1.795	1-23/32	3/8	UG204-12	CJTZ204	1.28
7/8	UGCJTZ205-14	76.80	4-7/8	3.898	15/32	1-1/32	0.453	2-3/4	0.138	2.362	1.807	1-3/4	7/16	UG205-14	CJTZ205	1.59
15/16	UGCJTZ205-15													UG205-15		
1	UGCJTZ205-16													UG205-16		
1-1/8	UGCJTZ206-18	88.50	5-19/32	4.587	15/32	1-1/32	0.453	3-17/64	0.118	3.150	1.854	1-29/32	7/16	UG206-18	CJTZ206	2.14
1-3/16	UGCJTZ206-19													UG206-19		
1-1/4	UGCJTZ206-20													UG206-20		
1-1/4	UGCJTZ207-20	117.75	6-7/64	5.118	15/32	1-1/32	0.551	3-45/64	0.157	3.543	1.941	2-1/64	1/2	UG207-20	CJTZ207	2.8
1-5/16	UGCJTZ207-21													UG207-21		
1-3/8	UGCJTZ207-22													UG207-22		
1-7/16	UGCJTZ207-23													UG207-23		
1-1/2	UGCJTZ208-24	136.60	6-49/64	5.650	17/32	1-3/16	0.551	4-1/8	0.157	3.937	2.161	2-7/32	1/2	UG208-24	CJTZ208	3.76
1-9/16	*UGCJTZ208-25													UG208-25		
1-5/8	UGCJTZ209-26	154.20	7-5/64	5.846	17/32	1-7/32	0.551	4-3/8	0.157	4.134	2.161	2-7/32	1/2	UG209-26	CJTZ209	4.42
1-11/16	UGCJTZ209-27													UG209-27		
1-3/4	UGCJTZ209-28													UG209-28		
1-7/8	UGCJTZ210-30	177.60	7-1/2	6.181	17/32	1-3/8	0.551	4-9/16	0.157	4.134	2.445	2-15/32	1/2	UG210-30	CJTZ210	4.83
1-15/16	UGCJTZ210-31													UG210-31		
2	UGCJTZ210-32													UG210-32		
Dimensions (mm)																
20	UGCJTZ204	65.75	112	90	10	31	11.5	60	3.5	55	45.6	43.7	M10	UG204	CJTZ 204	1.28
25	UGCJTZ205	76.80	124	99	12	26	11.5	70	3.5	60	45.9	44.4		UG205	CJTZ 205	1.59
30	UGCJTZ206	88.50	142	116.5	12	26	11.5	83	3.0	80	47.1	48.4		UG206	CJTZ 206	2.14
35	UGCJTZ207	117.75	155	130	12	26	14	94	4.0	90	49.3	51.1	M12	UG207	CJTZ 207	2.80
40	UGCJTZ208	136.60	172	143.5	13	30	14	105	4.0	100	54.9	56.3		UG208	CJTZ 208	3.76
45	UGCJTZ209	154.20	180	148.5	13	31	14	111	4.0	105	54.9	56.3		UG209	CJTZ 209	4.42
50	UGCJTZ210	177.60	190	157	13	35	14	116	4.0	105	62.1	62.7		UG210	CJTZ 210	4.83

*Consult factory for availability

Lubrication fitting tap size for 1" and smaller shaft sizes, 1/4-28 UNF; for all other sizes, 1/8-27 NPT

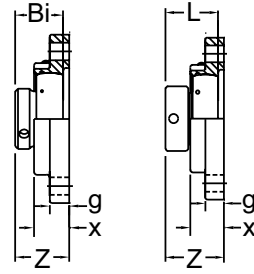
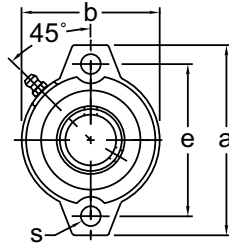
INTERCHANGES: F2B-SXR RCJTZ

BLFL / KHLFL 200

TWO-BOLT FLANGE UNITS



NORMAL DUTY



BLFL 200 Type Set-Screw Locking KHLFL 200 Type Eccentric Collar Locking

**Set-Screw/Eccentric Locking
Narrow Inner Ring
Cast Iron Housing
Insert Detail-pg.116,117
Inch and Metric**

Shaft Diam. (in.)	AMI Unit # Complete with B Type	List Price	AMI Unit # Complete with KH200 Type	List Price	Dimensions (in.)										Bolt Size (in.)	Bearing #		Housing #	Weight (lb.)	
					a	e	g	x	s	b	Z		Bi	L		B	KH			
											BLFL	KHLFL								
1/2	BLFL1-8	37.45	KHLFL201-8	38.85	3-3/16	2-1/2	3/8	23/32	9/32	2-3/16	1.004	1.244	0.866	1-1/8	1/4	B1-8	KH201-8	LFL3	0.66	
5/8	BLFL2-10		KHLFL202-10		B2-10	KH202-10	0.64													
3/4	BLFL4-12	37.95	KHLFL204-12	40.55	3-9/16	2-13/16	7/16	25/32	25/64	2-15/32	1.130	1.358	0.972	1-7/32	5/16	B4-12	KH204-12	LFL4	0.76	
7/8	BLFL5-14	41.20	KHLFL205-14	43.10	3-3/4	3	7/16	25/32	25/64	2-23/32	1.201	1.358	1.063	1-7/32	5/16	B5-14	KH205-14	LFL5	0.98	
15/16	BLFL5-15		KHLFL205-15													B5-15	KH205-15			
1	BLFL5-16		KHLFL205-16													B5-16	KH205-16			
1-1/16	BLFL6-17	56.25	—	59.50	4-7/16	3-9/16	15/32	7/8	15/32	3-3/32	1.350	1.524	1.193	1-13/32	3/8	B6-17	—	LFL6	1.42	
1-1/8	BLFL6-18		KHLFL206-18													B6-18	KH206-18			
1-3/16	BLFL6-19		KHLFL206-19													B6-19	KH206-19			
1-1/4	BLFL6-20		KHLFL206-20													B6-20	KH206-20			
1-1/4	BLFL7-20	70.85	KHLFL207-20	78.25	4-13/16	3-15/16	1/2	15/16	15/32	3-1/2	1.472	1.669	1.295	1-17/32	3/8	B7-20	KH207-20	LFL7	2.05	
1-5/16	BLFL7-21		KHLFL207-21													B7-21	KH207-21			
1-3/8	BLFL7-22		KHLFL207-22													B7-22	KH207-22			
1-7/16	BLFL7-23		KHLFL207-23													B7-23	KH207-23			
Dimensions (mm)																				
12	BLFL1	37.45	KHLFL201	38.85	81	63.5	9.5	18	7	56	25.5	31.6	22	28.6	M6	B1	KH201	LFL3	0.66	
15	BLFL2		KHLFL202													B2	KH202			0.64
17	BLFL3		KHLFL203													B3	KH203			0.60
20	BLFL4	37.95	KHLFL204	40.55	90	71.5	11	20	10	63	28.7	34.5	24.7	31	M8	B4	KH204	LFL4	0.76	
25	BLFL5	41.20	KHLFL205	43.10	95	76	11	20	10	69	30.5	34.5	27	31	M8	B5	KH205	LFL5	0.98	
30	BLFL6	56.25	KHLFL206	59.50	113	90.5	12	22.5	12	79	34.3	38.7	30.3	35.7	M10	B6	KH206	LFL6	1.42	
35	BLFL7	70.85	KHLFL207	78.25	122	100	13	24	12	89	37.4	42.4	32.9	38.9	M10	B7	KH207	LFL7	2.05	

Lubrication fitting tap size for 1" and smaller shaft sizes, 1/4-28 UNF; for all other sizes, 1/8-27 NPT

INTERCHANGES: BLF ALF SALF

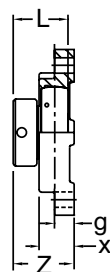
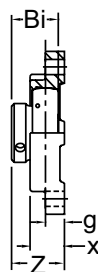
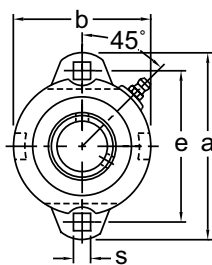


TWO-BOLT FLANGE UNITS

BFX / KHFX 200

NORMAL DUTY

Set-Screw/Eccentric Locking
Narrow Inner Ring
Malleable Cast Housing
Insert Detail-pg.116,117
Inch and Metric



BFX 200 Type
Set-Screw Locking

KHFX 200 Type
Eccentric Collar Locking



Shaft Diam. (in.)	AMI Unit # Complete with B Type	List Price	AMI Unit # Complete with KH200 Type	List Price	Dimensions (in.)										Bolt Size (in.)	Bearing #		Housing #	Weight (lb.)
					a	e	g	x	s	b	Z		Bi	L		B	KH		
											BFX	KHFX							
1/2	BFX201-8	50.55	KHFX201-8	51.95	3-3/16	2-1/2	3/8	21/64	9/32	2-3/16	1.004	1.244	0.866	1-1/8	1/4	B1-8	KH201-8	FX203	0.57 0.55
5/8	BFX202-10		KHFX202-10		3-9/16	2-13/16	27/64	23/64	11/32	2-15/32	1.130	1.358	0.972	1-7/32	5/16	B2-10	KH202-10		
3/4	BFX204-12	51.05	KHFX204-12	52.45	3-9/16	2-13/16	27/64	23/64	11/32	2-15/32	1.130	1.358	0.972	1-7/32	5/16	B4-12	KH204-12	FX204	0.62
7/8	BFX205-14	53.55	KHFX205-14	55.45	3-3/4	3	27/64	23/64	11/32	2-1/2	1.201	1.358	1.063	1-7/32	5/16	B5-14	KH205-14	FX205	0.79
15/16	BFX205-15		KHFX205-15																
1	BFX205-16		KHFX205-16																
1-1/16	BFX206-17	64.95	—	68.20	4-7/16	3-9/16	15/32	27/64	13/32	3-3/32	1.350	1.524	1.193	1-13/32	3/8	B6-17	—	FX206	1.23
1-1/8	BFX206-18		KHFX206-18																
1-3/16	BFX206-19		KHFX206-19																
1-1/4	BFX206-20		KHFX206-20																
1-1/4	BFX207-20	79.60	KHFX207-20	87.00	4-13/16	3-15/16	1/2	7/16	13/32	3-1/2	1.472	1.669	1.295	1-17/32	3/8	B7-20	KH207-20	FX207	1.74
1-5/16	BFX207-21		KHFX207-21																
1-3/8	BFX207-22		KHFX207-22																
1-7/16	BFX207-23		KHFX207-23																
Dimensions (mm)																			
12	BFX201	50.55	KHFX201	51.95	81	64	10	8	7	56	25.5	31.6	22	28.6	M6	B1	KH201	FX203	0.58 0.56 0.54
15	BFX202		KHFX202																
17	BFX203		KHFX203																
20	BFX204	51.05	KHFX204	52.45	90	71	11	9	9	63	28.7	34.5	24.7	31	M8	B4	KH204	FX204	0.62
25	BFX205	53.55	KHFX205	55.45	95	76	11	9	9	63.5	30.5	34.5	27	31	M8	B5	KH205	FX205	0.80
30	BFX206	64.95	KHFX206	68.20	113	90	12	11	10.3	78.6	34.3	38.7	30.3	35.7	M10	B6	KH206	FX206	1.25
35	BFX207	79.60	KHFX207	87.00	122	100	13	11	10.3	89	37.4	42.4	32.9	38.9	M10	B7	KH207	FX207	1.76

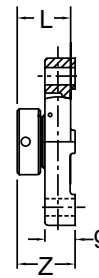
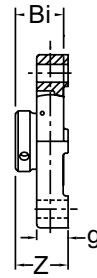
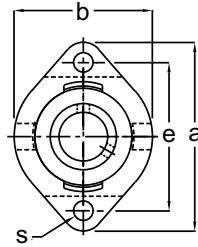
Lubrication fitting tap size for 1" and smaller shaft sizes, 1/4-28 UNF; for all other sizes, 1/8-27 NPT

INTERCHANGES:	VF2S-1M	LFT-SC	VFTD	FB160	FXW-U	LFT	VF2E-1M	LFT-SXV	LFTE-E
----------------------	----------------	---------------	-------------	--------------	--------------	------------	----------------	----------------	---------------

BLCTE / KHLCTE 200 TWO-BOLT FLANGE UNITS



NORMAL DUTY



BLCTE 200 Type Set-Screw Locking KHLCTE 200 Type Eccentric Collar Locking

Set-Screw/Eccentric Locking
Narrow Inner Ring
Malleable Cast Housing
Non-Relube
Insert Detail-pg.116,117
Inch and Metric

Shaft Diam. (in.)	AMI Unit # Complete with B Type	List Price	AMI Unit # Complete with KH200 Type	List Price	Dimensions (in.)								Bolt Size (in.)	Bearing #		Housing #	Weight (lb.)	
					a	e	g	s	b	Z		Bi		L	B			KH
										BLCTE	KHLCTE							
1/2	BLCTE201-8	50.30	KHLCTE201-8	51.70	3-3/16	2-1/2	19/32	9/32	2-5/16	0.965	1.204	0.866	1-1/8	1/4	B1-8	KH201-8	LCTE203	0.53
5/8	BLCTE202-10		KHLCTE202-10		3-9/16	2-13/16	43/64	25/64	2-5/8	1.071	1.299	0.972	1-7/32	5/16	B2-10	KH202-10		
3/4	BLCTE204-12	50.80	KHLCTE204-12	52.20	3-9/16	2-13/16	43/64	25/64	2-5/8	1.071	1.299	0.972	1-7/32	5/16	B4-12	KH204-12	LCTE204	0.98
7/8	BLCTE205-14	53.65	KHLCTE205-14	55.55	3-13/16	3	11/16	25/64	2-51/64	1.161	1.319	1.063	1-7/32	5/16	B5-14	KH205-14	LCTE205	1.18
15/16	BLCTE205-15		KHLCTE205-15												B5-15	KH205-15		
1	BLCTE205-16		KHLCTE205-16												B5-16	KH205-16		
1-1/16	BLCTE206-17	74.70	—	77.95	4-7/16	3-9/16	13/16	15/32	3-5/16	1.350	1.524	1.193	1-13/32	3/8	B6-17	—	LCTE206	1.85
1-1/8	BLCTE206-18		KHLCTE206-18												B6-18	KH206-18		
1-3/16	BLCTE206-19		KHLCTE206-19												B6-19	KH206-19		
1-1/4	BLCTE206-20		KHLCTE206-20												B6-20	KH206-20		
1-1/4	BLCTE207-20	86.90	KHLCTE207-20	94.30	4-31/32	3-15/16	7/8	15/32	3-11/16	1.453	1.649	1.295	1-17/32	3/8	B7-20	KH207-20	LCTE207	2.43
1-5/16	BLCTE207-21		KHLCTE207-21												B7-21	KH207-21		
1-3/8	BLCTE207-22		KHLCTE207-22												B7-22	KH207-22		
1-7/16	BLCTE207-23		KHLCTE207-23												B7-23	KH207-23		
Dimensions (mm)																		
12	BLCTE201	50.30	KHLCTE201	51.70	81	63.5	15	7	59	24.5	30.6	22	28.6	M6	B1	KH201	LCTE203	0.53
15	BLCTE202		KHLCTE202		81	63.5	15	7	59	24.5	30.6	22	28.6	M6	B2	KH202		
17	BLCTE203		KHLCTE203		81	63.5	15	7	59	24.5	30.6	22	28.6	M6	B3	KH203		
20	BLCTE204	50.80	KHLCTE204	52.20	90	71.4	17	10	67	27.2	33.0	24.7	31	M8	B4	KH204	LCTE204	0.98
25	BLCTE205	53.65	KHLCTE205	55.55	97	76.2	17.5	10	71	29.5	33.5	27	31	M8	B5	KH205	LCTE205	1.18
30	BLCTE206	74.70	KHLCTE206	77.95	113	90.5	20.5	12	84	34.3	38.7	30.3	35.7	M10	B6	KH206	LCTE206	1.85
35	BLCTE207	86.90	KHLCTE207	94.30	126	100	22	12	94	36.9	41.9	32.9	38.9	M10	B7	KH207	LCTE207	2.43

INTERCHANGES: FLCT ASFD FLCTEY AELFD

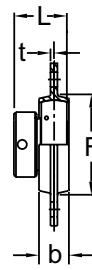
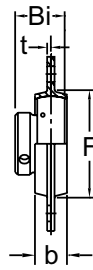
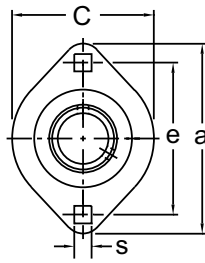


PRESSED STEEL TWO-BOLT FLANGE UNITS

BPFL / KHPFL 200

NORMAL DUTY

Set-Screw/Eccentric Locking
Narrow Inner Ring
Pressed Steel Housing
Non-Relube
Insert Detail-pg.116,117
Inch and Metric



BPFL 200 Type
Set-Screw Locking

KHPFL 200 Type
Eccentric Collar Locking

Shaft Diam. (in.)	AMI Unit # Complete with B Type	List Price	AMI Unit # Complete with KH200 Type	List Price	Dimensions (in.)										Stamping Load Limit (lbs.)	Bolt Size (in.)	Bearing #		Housing #	Weight (lb.)
					a	e	t	b	s	C	F(Min)	Bi	L	B			KH			
																	B	KH		
1/2	BPFL1-8	36.75	KHPFL201-8	38.15	3-3/16	2-1/2	0.079	9/16	9/32	2-5/16	1-15/16	0.866	1-1/8	600	1/4	B1-8	KH201-8	PFL3	0.59	
5/8	BPFL2-10		KHPFL202-10		3-9/16	2-13/16	0.079	5/8	11/32	2-5/8	2-3/16	0.972	1-7/32	700	5/16	B2-10	KH202-10	PFL3	0.57	
3/4	BPFL4-12	37.25	KHPFL204-12	38.65	3-9/16	2-13/16	0.079	5/8	11/32	2-5/8	2-3/16	0.972	1-7/32	700	5/16	B4-12	KH204-12	PFL4	0.73	
7/8	BPFL5-14	38.00	KHPFL205-14	39.90	3-3/4	3	0.079	11/16	11/32	2-51/64	2-3/8	1.063	1-7/32	800	5/16	B5-14	KH205-14	PFL5	0.88	
15/16	BPFL5-15		KHPFL205-15													B5-15	KH205-15			
1	BPFL5-16		KHPFL205-16													B5-16	KH205-16			
1-1/16	BPFL6-17	49.00	—	52.25	4-7/16	3-9/16	0.102	11/16	13/32	3-5/16	2-13/16	1.193	1-13/32	1100	3/8	B6-17	—	PFL6	1.36	
1-1/8	BPFL6-18		KHPFL206-18													B6-18	KH206-18			
1-3/16	BPFL6-19		KHPFL206-19													B6-19	KH206-19			
1-1/4	BPFL6-20		KHPFL206-20													B6-20	KH206-20			
1-1/4	BPFL7-20	61.45	KHPFL207-20	68.85	4-15/16	3-15/16	0.102	13/16	13/32	3-11/16	3-3/16	1.295	1-17/32	1400	3/8	B7-20	KH207-20	PFL7	1.78	
1-5/16	BPFL7-21		KHPFL207-21													B7-21	KH207-21			
1-3/8	BPFL7-22		KHPFL207-22													B7-22	KH207-22			
1-7/16	BPFL7-23		KHPFL207-23													B7-23	KH207-23			

Dimensions (mm)																			
12	BPFL1	36.75	KHPFL201	38.15	81	63.5	2	14	7	59	49	22	28.6	600	M6	B1	KH201	PFL3	0.59
15	BPFL2		KHPFL202	38.15	81	63.5	2	14	7	59	49	22	28.6	600	M6	B2	KH202	PFL3	0.57
17	BPFL3		KHPFL203	38.15	81	63.5	2	14	7	59	49	22	28.6	600	M6	B3	KH203	PFL3	0.60
20	BPFL4	37.25	KHPFL204	38.65	90	71.5	2	16	9	67	56	24.7	31	700	M8	B4	KH204	PFL4	0.73
25	BPFL5	38.00	KHPFL205	39.90	95	76	2	18	9	71	60	27	31	800	M8	B5	KH205	PFL5	0.88
30	BPFL6	49.00	KHPFL206	52.25	113	90.5	2.6	18	11	84	71	30.3	35.7	1100	M10	B6	KH206	PFL6	1.36
35	BPFL7	61.45	KHPFL207	68.85	125	100	2.6	20	11	94	81	32.9	38.9	1400	M10	B7	KH207	PFL7	1.78

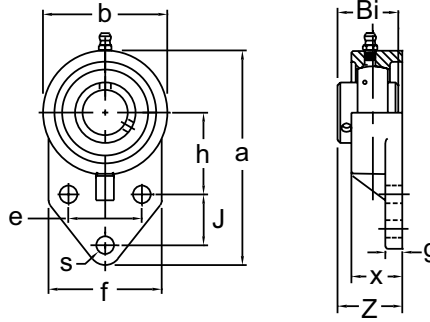
INTERCHANGES: SSF2S F2B-SL SBPFL FB110S RATY FPS2-25 SSFT SSF2E F2B-SLX RAT FT-FM SSFT-E

UCFB / UCFK 200

THREE-BOLT FLANGE BRACKET UNITS



NORMAL DUTY



**Set-Screw Locking
Wide Inner Ring
Cast Iron Housing
Insert Detail-pg.112-113
Inch and Metric**

Shaft Diam. (in.)	AMI Unit #	List Price	Dimensions (in.)											Bolt Size (in.)	Bearing #	Housing #	Weight (lb.)	
			a	h	e	J	g	x	s	b	f	Z	Bi					
1/2	UCFB201-8	60.25	4-1/4	1-11/16	1-1/2	7/8	5/16	1	25/64	2-1/2	2-3/8	1-11/32	1.220	3/8	UC201-8 UC202-10 UC203-11 UC204-12	FB204	1.50	
5/8	UCFB202-10																	
11/16	UCFB203-11																	
3/4	UCFB204-12																	
7/8	UCFB205-14	66.90	4-3/4	1-13/16	1-5/8	1-1/8	1/2	1-1/8	25/64	2-3/4	2-1/2	1-7/16	1.339	3/8	UC205-14 UC205-15 UC205-16	FB205	2.00	
15/16	UCFB205-15																	
1	UCFB205-16																	
1-1/16	UCFB206-17	81.95	5-3/8	2-1/16	1-7/8	1-1/4	1/2	1-1/4	25/64	3-1/4	2-3/4	1-39/64	1.500	3/8	UC206-17 UC206-18 UC206-19 UC206-20	FB206	2.50	
1-1/8	UCFB206-18																	
1-3/16	UCFB206-19																	
1-1/4	UCFB206-20																	
1-1/4	UCFB207-20	96.95	6-1/8	2-3/8	2	1-1/4	1/2	1-7/16	33/64	3-3/4	3-1/4	1-53/64	1.689	1/2	UC207-20 UC207-21 UC207-22 UC207-23	FB207	2.90	
1-5/16	UCFB207-21																	
1-3/8	UCFB207-22																	
1-7/16	UCFB207-23																	
1-1/2	UCFB208-24	122.40	6-15/32	2-3/8	1-31/32	1-5/8	5/8	1-13/32	15/32	3-15/16	3-1/16	2-1/64	1.937	7/16	UC208-24 UC208-25	FB208	3.50	
1-9/16	UCFB208-25																	
1-5/8	UCFB209-26	132.30	6-27/32	2-9/16	2-1/8	1-11/16	23/32	1-1/2	15/32	4-3/16	3-5/32	2-1/64	1.937	7/16	UC209-26 UC209-27 UC209-28	FB209	4.90	
1-11/16	UCFB209-27																	
1-3/4	UCFB209-28																	
1-7/8	UCFB210-30	148.80	7-1/2	2-15/16	2-3/4	1-5/8	1/2	1-1/2	33/64	4-5/8	4	2-7/64	2.031	1/2	UC210-30 UC210-31 UC210-32	FB210	5.40	
1-15/16	UCFB210-31																	
2	UCFB210-32																	
Dimensions (mm)																		
12	UCFK201	60.25	110	42	32	27	13	25.5	10	62	52	33.3	31	M8	UC201 UC202 UC203	FK204	1.34 1.29 1.27	
15	UCFK202																	
17	UCFK203																	
20	UCFK204	60.25	110	42	32	27	13	25.5	10	62	52	33.3	31	M8	UC204 UC205 UC206	FK204 FK205 FK206	1.23 1.47 2.07	
25	UCFK205																	
30	UCFK206																	
35	UCFK207																	
40	UCFK208	122.40	164	60	50	41	16	36	12	100	78	51.2	49.2	M10	UC207 UC208 UC209	FK207 FK208 FK209	2.90 3.79 4.24	
45	UCFK209																	
50	UCFK210																	
50	UCFK210	148.80	184	68	58	46	18	40	12	112	86	54.6	51.6	M10	UC210	FK210	4.91	

Lubrication fitting tap size for 1" and smaller shaft sizes, 1/4-28 UNF; for all other sizes, 1/8-27 NPT

INTERCHANGES: VFB FB-SC UCFB FB3U-N MFB-25 UCFH FB

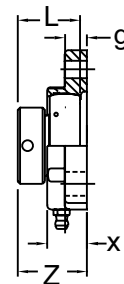
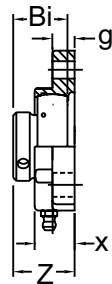
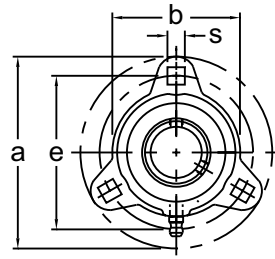


THREE-BOLT FLANGE UNITS

BTM / KHTM 200

NORMAL DUTY

Set-Screw/Eccentric Locking
Narrow Inner Ring
Malleable Cast Housing
Insert Detail-pg.116,117
Inch



BTM 200 Type
Set-Screw Locking

KHTM 200 Type
Eccentric Collar Locking



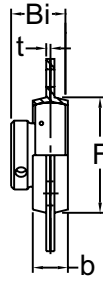
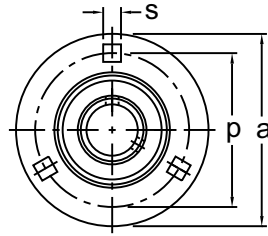
Shaft Diam. (in.)	AMI Unit #	List Price	Dimensions (in.)								Bolt Size (in.)	Bearing #	Housing #	Weight (lb.)
			a	e	g	x	s	b	Z	Bi				
1/2	BTM201-8	51.85	3-3/16	2-1/2	27/64	3/4	9/32	1-15/16	1.043	0.866	1/4	B1-8	TM203	0.48
5/8	BTM202-10											B2-10		
3/4	BTM204-12	52.35	3-9/16	2-13/16	7/16	25/32	11/32	2-1/4	1.126	0.972	5/16	B4-12	TM204	0.60
7/8	BTM205-14	52.90	3-3/4	3	7/16	25/32	11/32	2-1/2	1.200	1.063	5/16	B5-14	TM205	0.70
15/16	BTM205-15											B5-15		
1	BTM205-16											B5-16		
1-1/16	BTM206-17	72.50	4-7/16	3-9/16	15/32	27/32	13/32	2-15/16	1.319	1.193	3/8	B6-17	TM206	1.00
1-1/8	BTM206-18											B6-18		
1-3/16	BTM206-19											B6-19		
1-1/4	BTM206-20											B6-20		
1-1/4	BTM207-20	79.00	4-13/16	3-15/16	1/2	29/32	13/32	3-3/8	1.418	1.295	3/8	B7-20	TM207	1.30
1-5/16	BTM207-21											B7-21		
1-3/8	BTM207-22											B7-22		
1-7/16	BTM207-23											B7-23		
Shaft Diam. (in.)	AMI Unit #	List Price	Dimensions (in.)								Bolt Size (in.)	Bearing #	Housing #	Weight (lb.)
			a	e	g	x	s	b	Z	L				
1/2	KHTM201-8	53.25	3-3/16	2-1/2	27/64	3/4	9/32	1-15/16	1.282	1-1/8	1/4	KH201-8	TM203	0.48
5/8	KHTM202-10											KH202-10		
3/4	KHTM204-12	53.40	3-9/16	2-13/16	7/16	25/32	11/32	2-1/4	1.353	1-7/32	5/16	KH204-12	TM204	0.60
7/8	KHTM205-14	54.80	3-3/4	3	7/16	25/32	11/32	2-1/2	1.357	1-7/32	5/16	KH205-14	TM205	0.70
15/16	KHTM205-15											KH205-15		
1	KHTM205-16											KH205-16		
1-1/8	KHTM206-18	75.75	4-7/16	3-9/16	15/32	27/32	13/32	2-15/16	1.493	1-13/32	3/8	KH206-18	TM206	1.00
1-3/16	KHTM206-19											KH206-19		
1-1/4	KHTM206-20											KH206-20		
1-1/4	KHTM207-20	86.40	4-13/16	3-15/16	1/2	29/32	13/32	3-3/8	1.614	1-17/32	3/8	KH207-20	TM207	1.30
1-5/16	KHTM207-21											KH207-21		
1-3/8	KHTM207-22											KH207-22		
1-7/16	KHTM207-23											KH207-23		

Lubrication fitting tap size for 1" and smaller shaft sizes, 1/4-28 UNF; for all other sizes, 1/8-27 NPT

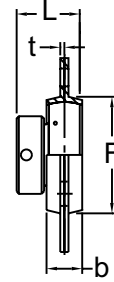
INTERCHANGES: VF3S-1M | LF-SC | FB150 | FW-U | LF



NORMAL DUTY



BPF 200 Type
Set-Screw Locking



KHPF 200 Type
Eccentric Collar Locking

Set-Screw/Eccentric Locking
Narrow Inner Ring
Pressed Steel Housing
Non-Relube
Insert Detail-pg.116,117
Inch and Metric

Shaft Diam. (in.)	AMI Unit # Complete with B Type	List Price	AMI Unit # Complete with KH200 Type	List Price	Dimensions (in.)								Bolt Size (in.)	Bearing #		Housing #	Weight (lb.)
					a	p	t	b	s	F(min)	Bi	L		B	KH		
1/2	BPF1-8	36.75	KHPF201-8	38.15	3-3/16	2-1/2	0.079	9/16	9/32	1-15/16	0.866	1-1/8	1/4	B1-8	KH201-8	PF3	0.50
5/8	BPF2-10		KHPF202-10		3-9/16	2-13/16	0.079	5/8	11/32	2-3/16	0.972	1-7/32	5/16	B2-10	KH202-10		0.48
3/4	BPF4-12	37.25	KHPF204-12	38.65	3-9/16	2-13/16	0.079	5/8	11/32	2-3/16	0.972	1-7/32	5/16	B4-12	KH204-12	PF4	0.64
7/8	BPF5-14	38.00	KHPF205-14	38.90	3-3/4	3	0.079	11/16	11/32	2-3/8	1.063	1-7/32	5/16	B5-14	KH205-14	PF5	0.86
15/16	BPF5-15		KHPF205-15											B5-15	KH205-15		
1	BPF5-16		KHPF205-16											B5-16	KH205-16		
1-1/16	BPF6-17	49.00	—	52.25	4-7/16	3-9/16	0.102	11/16	13/32	2-13/16	1.193	1-13/32	3/8	B6-17	—	PF6	1.32
1-1/8	BPF6-18		KHPF206-18											B6-18	KH206-18		
1-3/16	BPF6-19		KHPF206-19											B6-19	KH206-19		
1-1/4	BPF6-20		KHPF206-20											B6-20	KH206-20		
1-1/4	BPF7-20	61.45	KHPF207-20	68.85	4-13/16	3-15/16	0.102	3/4	13/32	3-3/16	1.295	1-17/32	3/8	B7-20	KH207-20	PF7	1.80
1-5/16	BPF7-21		KHPF207-21											B7-21	KH207-21		
1-3/8	BPF7-22		KHPF207-22											B7-22	KH207-22		
1-7/16	BPF7-23		KHPF207-23											B7-23	KH207-23		
Dimensions (mm)																	
12	BPF1	36.75	KHPF201	38.15	81	63.5	2	14	7	49	22	28.6	M6	B1	KH201	PF3	0.50
15	BPF2		KHPF202											B2	KH202		0.48
17	BPF3		KHPF203											B3	KH203		0.64
20	BPF4	37.25	KHPF204	38.65	90	71.5	2	16	9	56	24.7	31	M8	B4	KH204	PF4	0.64
25	BPF5	38.00	KHPF205	39.90	95	76	2	18	9	60	27	31	M8	B5	KH205	PF5	0.86
30	BPF6	49.00	KHPF206	52.25	113	90.5	2.6	18	11	71	30.3	35.7	M10	B6	KH206	PF6	1.32
35	BPF7	61.45	KHPF207	68.85	120	100	2.6	19	11	81	32.9	38.9	M10	B7	KH207	PF7	1.80

INTERCHANGES: SSF3S F3B-SL FPS3-25 ASPF RAY SSF SSF3E F3B-SLX RA F-FM AELP SSF-E

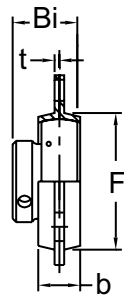
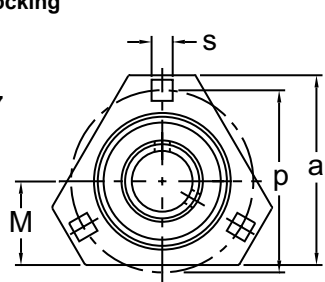


PRESSED STEEL THREE-BOLT FLANGE UNITS

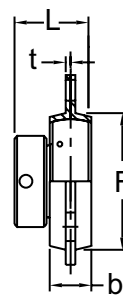
BPFT / KHPFT 200

NORMAL DUTY

Set-Screw/Eccentric Locking
Narrow Inner Ring
Pressed Steel Housing
Non-Relube
Insert Detail-pg.116,117
Inch and Metric



BPFT 200 Type
Set-Screw Locking



KHPFT 200 Type
Eccentric Collar Locking



Shaft Diam. (in.)	AMI Unit # Complete with B Type	List Price	AMI Unit # Complete with KH200 Type	List Price	Dimensions (in.)									Bolt Size (in.)	Bearing #		Housing #	Weight (lb.)
					a	p	t	b	s	F(min)	M	Bi	L		B	KH		
1/2	BPFT1-8	36.75	KHPFT201-8	38.15	2-23/32	2-1/2	0.079	9/16	9/32	1-15/16	1-1/8	0.866	1-1/8	1/4	B1-8	KH201-8	PFT3	0.49
5/8	BPFT2-10		KHPFT202-10		3	2-13/16	0.079	5/8	11/32	2-3/16	1-5/16	0.972	1-7/32	5/16	B2-10	KH202-10	PFT4	0.54
3/4	BPFT4-12	37.25	KHPFT204-12	38.65	3	2-13/16	0.079	5/8	11/32	2-3/16	1-5/16	0.972	1-7/32	5/16	B4-12	KH204-12	PFT4	0.54
7/8	BPFT5-14		KHPFT205-14		39.90	3-1/8	3	0.079	11/16	11/32	2-3/8	1-3/8	1.063	1-7/32	5/16	B5-14	KH205-14	PFT5
15/16	BPFT5-15	KHPFT205-15	3-1/8	3		0.079	11/16	11/32	2-3/8	1-3/8	1.063	1-7/32	5/16	B5-15	KH205-15			
1	BPFT5-16	38.00	KHPFT205-16	39.90	3-1/8	3	0.079	11/16	11/32	2-3/8	1-3/8	1.063	1-7/32	5/16	B5-16	KH205-16	PFT5	0.84
1-1/16	BPFT6-17		KHPFT206-17		49.00	3-11/16	3-9/16	0.102	5/8	13/32	2-13/16	1-1/2	1.193	1-13/32	3/8	B6-17		
1-1/8	BPFT6-18	KHPFT206-18	3-11/16	3-9/16		0.102	5/8	13/32	2-13/16	1-1/2	1.193	1-13/32	3/8	B6-18	KH206-18			
1-3/16	BPFT6-19	49.00	KHPFT206-19	52.25	3-11/16	3-9/16	0.102	5/8	13/32	2-13/16	1-1/2	1.193	1-13/32	3/8	B6-19	KH206-19	PFT6	1.18
1-1/4	BPFT6-20		KHPFT206-20		3-11/16	3-9/16	0.102	5/8	13/32	2-13/16	1-1/2	1.193	1-13/32	3/8	B6-20	KH206-20		
1-1/4	BPFT7-20	61.45	KHPFT207-20	68.85	4-5/32	3-15/16	0.102	3/4	13/32	3-3/16	1-3/4	1.295	1-17/32	3/8	B7-20	KH207-20	PFT7	1.69
1-5/16	BPFT7-21		KHPFT207-21		4-5/32	3-15/16	0.102	3/4	13/32	3-3/16	1-3/4	1.295	1-17/32	3/8	B7-21	KH207-21		
1-3/8	BPFT7-22	61.45	KHPFT207-22	68.85	4-5/32	3-15/16	0.102	3/4	13/32	3-3/16	1-3/4	1.295	1-17/32	3/8	B7-22	KH207-22	PFT7	1.69
1-7/16	BPFT7-23		KHPFT207-23		4-5/32	3-15/16	0.102	3/4	13/32	3-3/16	1-3/4	1.295	1-17/32	3/8	B7-23	KH207-23		
Dimensions (mm)																		
12	BPFT1	36.75	KHPFT201	38.15	69.1	63.5	2	14.0	7	49	29	22	28.6	M6	B1	KH201	PFT3	0.49
15	BPFT2		KHPFT202		69.1	63.5	2	14.0	7	49	29	22	28.6	M6	B2	KH202		
17	BPFT3		KHPFT203		69.1	63.5	2	14.0	7	49	29	22	28.6	M6	B3	KH203		
20	BPFT4	37.25	KHPFT204	38.65	76.2	71.5	2	16.0	9	56	33	24.7	31	M8	B4	KH204	PFT4	0.54
25	BPFT5	38.00	KHPFT205	39.90	79.4	76	2	18.0	9	60	35	27	31	M8	B5	KH205	PFT5	0.84
30	BPFT6	49.00	KHPFT206	52.25	93.7	90.5	2.6	16.0	11	71	38	30.3	35.7	M10	B6	KH206	PFT6	1.18
35	BPFT7	61.45	KHPFT207	68.85	105.6	100	2.6	19.1	11	81	45	32.9	38.9	M10	B7	KH207	PFT7	1.69

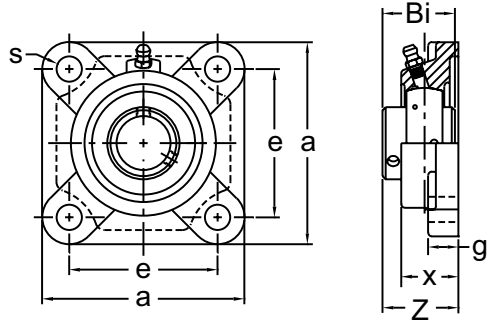
INTERCHANGES: SSF3TS TFPS-25 TSSF SSF3TE RATR 52MSTR TSSF-E

UCLF / UCF 200

FOUR-BOLT FLANGE UNITS



NORMAL DUTY



**Set-Screw Locking
Wide Inner Ring
Cast Iron Housing
Insert Detail-pg.112-113
Covers Available-pg.59
Inch and Metric**

Shaft Diam. (in.)	AMI Unit #	List Price	Dimensions (in.)							Bolt Size (in.)	Bearing #	Housing #	Weight (lb.)
			a	e	g	x	s	Z	Bi				
1/2	UCLF201-8	44.50	3	2-1/8	3/8	1-3/32	13/32	1.287	1.024	3/8	UCW201-8	LF3	1.15
9/16	UCLF202-9										UCW202-9		1.12
5/8	UCLF202-10										UCW202-10		1.12
11/16	UCLF203-11	44.50	3	2-1/8	3/8	1-3/32	13/32	1.287	1.024	3/8	UCW203-11	LF3	1.10
1/2	UCF201-8										UC201-8		1.41
5/8	UCF202-10										UC202-10		1.37
11/16	UCF203-11										UC203-11		1.34
3/4	UCF204-12	49.00	3-3/8	2-1/2	15/32	1	7/16	1.311	1.220	3/8	UC204-12	F204	1.30
7/8	UCF205-14										UC205-14		1.81
15/16	UCF205-15										UC205-15		
1	UCF205-16	46.65	3-3/4	2-3/4	9/16	1-1/16	15/32	1.406	1.339	7/16	UC205-16	F205	1.81
1-1/16	UCF206-17	64.95	4-1/4	3-1/4	9/16	1-7/32	15/32	1.583	1.500	7/16	UC206-17	F206	2.42
1-1/8	UCF206-18										UC206-18		
1-3/16	UCF206-19										UC206-19		
1-1/4	UCF206-20										UC206-20		
1-1/4	UCF207-20	75.45	4-5/8	3-5/8	5/8	1-11/32	17/32	1.748	1.689	1/2	UC207-20	F207	3.31
1-5/16	UCF207-21										UC207-21		
1-3/8	UCF207-22										UC207-22		
1-7/16	UCF207-23										UC207-23		
1-1/2	UCF208-24	89.40	5-1/8	4	5/8	1-13/32	17/32	2.016	1.937	1/2	UC208-24	F208	4.41
1-9/16	UCF208-25										UC208-25		
1-5/8	UCF209-26	99.60	5-3/8	4-1/8	23/32	1-1/2	19/32	2.055	1.937	9/16	UC209-26	F209	5.29
1-11/16	UCF209-27										UC209-27		
1-3/4	UCF209-28										UC209-28		
1-7/8	UCF210-30	118.35	5-5/8	4-3/8	23/32	1-9/16	19/32	2.150	2.031	9/16	UC210-30	F210	5.51
1-15/16	UCF210-31										UC210-31		
2	UCF210-32										UC210-32		
2	UCF211-32	146.85	6-3/8	5-1/8	25/32	1-11/16	21/32	2.299	2.189	5/8	UC211-32	F211	7.49
2-1/8	UCF211-34										UC211-34		
2-3/16	UCF211-35										UC211-35		
2-1/4	UCF212-36	189.85	6-7/8	5-5/8	25/32	1-7/8	21/32	2.705	2.563	5/8	UC212-36	F212	10.14
2-3/8	UCF212-38										UC212-38		
2-7/16	UCF212-39										UC212-39		
2-1/2	UCF213-40	244.60	7-3/8	5-7/8	25/32	1-31/32	21/32	2.744	2.563	5/8	UC213-40	F213	12.12
2-11/16	UCF214-43	294.40	7-3/8	5-7/8	13/16	2-5/16	21/32	3.087	2.937	5/8	UC214-43	FX13	13.44
2-3/4	UCF214-44										UC214-44		
2-15/16	UCF215-47	399.10	7-3/4	6	15/16	2-3/8	25/32	3.209	3.063	3/4	UC215-47	FX14	15.21
3	UCF215-48										UC215-48		
3-1/4	UCF217-52	595.50	8-11/16	6-7/8	1-1/32	2-15/32	29/32	3.449	3.374	7/8	UC217-52	F217	20.50
3-7/16	UCF217-55										UC217-55		
3-1/2	UCF218-56	717.10	9-1/4	7-3/8	1-1/32	2-11/16	29/32	3.791	3.780	7/8	UC218-56	F218	24.91
Dimensions (mm)													
12	UCLF201	44.50	76	54	9.5	28	10.5	32.7	26	M8	UCW201	LF3	1.15
15	UCLF202										UCW202		1.12
17	UCLF203										UCW203		1.10
12	UCF201	44.50	86	64	12	25.4	11	33.3	31	M10	UC201	F204	1.43
15	UCF202										UC202		1.38
17	UCF203										UC203		1.36
20	UCF204	44.50	86	64	12	25.4	11	33.3	31	M10	UC204	F204	1.32
25	UCF205	49.00	95	70	14	27	12	35.7	34	M10	UC205	F205	1.83
30	UCF206	64.95	108	83	14	31	12	40.2	38.1	M10	UC206	F206	2.45
35	UCF207	75.45	117	92	16	34	13.5	44.4	42.9	M12	UC207	F207	3.35
40	UCF208	89.40	130	102	16	36	13.5	51.2	49.2	M12	UC208	F208	4.46
45	UCF209	99.60	137	105	18	38	15	52.2	49.2	M14	UC209	F209	5.35
50	UCF210	118.35	143	111	18	40	15	54.6	51.6	M14	UC210	F210	5.58
55	UCF211	146.85	162	130	20	43	17	58.4	55.6	M16	UC211	F211	7.58
60	UCF212	189.85	175	143	20	48	17	68.7	65.1	M16	UC212	F212	10.3
65	UCF213	244.60	187	149	20	50	17	69.7	65.1	M16	UC213	F213	12.3
70	UCF214	294.40	193	152	24	54	19	75.4	74.6	M16	UC214	F214	13.6
75	UCF215	399.10	200	159	24	56	19	78.5	77.8	M16	UC215	F215	15.4
80	UCF216	552.10	208	165	24	58	23	83.3	82.6	M20	UC216	F216	17.4
85	UCF217	595.50	220	175	26	63	23	87.6	85.7	M20	UC217	F217	20.8
90	UCF218	717.10	235	187	26	68	23	96.3	96	M20	UC218	F218	25.2

Lubrication fitting tap size for 1" and smaller shaft sizes, 1/4-28 UNF; for all other sizes, 1/8-27 NPT

INTERCHANGES: VF4S F4B-SC YCJ F3U-N FC4-25 FY-TF UCF SF

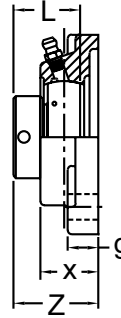
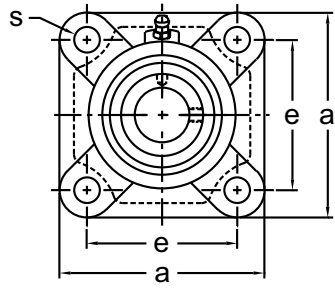


FOUR-BOLT FLANGE UNITS

KHLF / KHF 200

NORMAL DUTY

**Eccentric Locking
Narrow Inner Ring
Cast Iron Housing
Insert Detail-pg.112-113
Covers Available-pg.60
Inch and Metric**



Hub City® Style

Shaft Diam. (in.)	AMI Unit #	List Price	Dimensions (in.)							Bolt Size (in.)	Bearing #	Housing #	Weight (lb.)
			a	e	g	x	s	Z	L				
1/2	KHLF201-8	43.20	3	2-1/8	3/8	1-3/32	13/32	1.528	1-1/8	3/8	KH201-8	LF3	1.15
5/8	KHLF202-10										KH202-10		1.12
3/4	KHF204-12	43.20	3-3/8	2-1/2	15/32	1	7/16	1.516	1-7/32	3/8	KH204-12	F204	1.30
7/8	KHF205-14	47.10	3-3/4	2-3/4	9/16	1-1/16	15/32	1.555	1-7/32	7/16	KH205-14	F205	1.83
15/16	KHF205-15										KH205-15		
1	KHF205-16										KH205-16		
1-1/8	KHF206-18	66.45	4-1/4	3-1/4	9/16	1-7/32	15/32	1.760	1-13/32	7/16	KH206-18	F206	2.42
1-3/16	KHF206-19										KH206-19		
1-1/4	KHF206-20										KH206-20		
1-1/4	KHF207-20	80.00	4-5/8	3-5/8	5/8	1-11/32	17/32	1.906	1-17/32	1/2	KH207-20	F207	3.33
1-5/16	KHF207-21										KH207-21		
1-3/8	KHF207-22										KH207-22		
1-7/16	KHF207-23										KH207-23		
1-1/2	KHF208-24	91.20	5-1/8	4	5/8	1-13/32	17/32	2.114	1-23/32	1/2	KH208-24	F208	4.41
1-5/8	KHF209-26	103.65	5-3/8	4-1/8	23/32	1-1/2	19/32	2.154	1-23/32	9/16	KH209-26	F209	5.24
1-11/16	KHF209-27										KH209-27		
1-3/4	KHF209-28										KH209-28		
1-7/8	KHF210-30	119.40	5-5/8	4-3/8	23/32	1-9/16	19/32	2.154	1-23/32	9/16	KH210-30	F210	5.44
1-15/16	KHF210-31										KH210-31		
2	KHF211-32	160.10	6-3/8	5-1/8	25/32	1-11/16	21/32	2.429	1-29/32	5/8	KH211-32	F211	7.29
2-1/8	KHF211-34										KH211-34		
2-3/16	KHF211-35										KH211-35		
Dimensions (mm)													
12	KHLF201	43.20	76.2	54.0	9.5	27.8	10.3	38.8	28.6	M8	KH201	LF3	1.16
15	KHLF202										KH202		1.12
17	KHLF203										KH203		1.10
20	KHF204	43.20	86	64	12	25.4	11	38.5	31	M10	KH204	F204	1.30
25	KHF205	47.10	95	70	14	27	12	39.5	31		KH205	F205	1.83
30	KHF206	66.45	108	83	14	31	12	44.7	35.7		KH206	F206	2.42
35	KHF207	80.00	117	92	16	34	13.5	48.4	38.9	M12	KH207	F207	3.33
40	KHF208	91.20	130	102	16	36	13.5	53.7	43.7	M12	KH208	F208	4.41
45	KHF209	103.65	137	105	18	38	15	54.7	43.7	M14	KH209	F209	5.24
50	KHF210	119.40	143	111	18	40	15	54.7	43.7	M14	KH210	F210	5.44
55	KHF211	160.10	162	130	20	43	17	61.7	48.7	M16	KH211	F211	7.29

Lubrication fitting tap size for 1" and smaller shaft sizes, 1/4-28 UNF; for all other sizes, 1/8-27 NPT

INTERCHANGES: VF4E-1 F4B-SXV VCJ F3W-U FY-FM AELF VF-E FB220

UGSLF 200

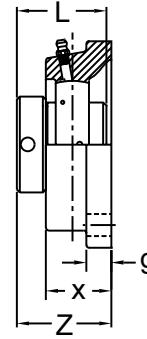
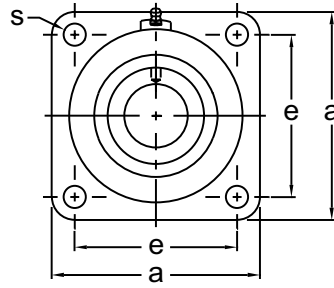
FOUR-BOLT FLANGE UNITS



NORMAL DUTY



Fafnir® Style



**Eccentric Locking
Wide Inner Ring
Cast Iron Housing
Insert Detail-pg.115
Inch and Metric**

Shaft Diam. (in.)	AMI Unit #	List Price	Dimensions (in.)							Bolt Size (in.)	Bearing #	Housing #	Weight (lb.)
			a	e	g	x	s	Z	L				
1/2	UGSLF201-8	54.80	3	2-1/8	3/8	1-3/32	29/64	1-37/64	1-15/32	3/8	UGW201-8	SLF203	1.21
5/8	UGSLF202-10										UGW202-10		
3/4	UGSLF204-12	54.80	3-3/8	2-1/2	3/8	1-5/16	29/64	1-55/64	1-23/32	3/8	UG204-12	SLF204	1.51
7/8	UGSLF205-14	62.60	3-3/4	2-3/4	7/16	1-3/8	29/64	1-57/64	1-3/4	7/16	UG205-14	SLF205	1.98
15/16	UGSLF205-15										UG205-15		
1	UGSLF205-16										UG205-16		
1-1/8	UGSLF206-18	77.90	4-1/4	3-1/4	1/2	1-15/32	29/64	2-5/64	1-29/32	7/16	UG206-18	SLF208	2.87
1-3/16	UGSLF206-19										UG206-19		
1-1/4	UGSLF206-20										UG206-20		
1-1/4	UGSLF207-20	95.20	4-5/8	3-5/8	1/2	1-1/2	35/64	2-5/32	2-1/64	1/2	UG207-20	SLF207	3.75
1-5/16	UGSLF207-21										UG207-21		
1-3/8	UGSLF207-22										UG207-22		
1-7/16	UGSLF207-23										UG207-23		
1-1/2	UGSLF208-24	107.90	5-1/8	4	5/8	1-5/8	35/64	2-11/32	2-7/32	1/2	UG208-24	SLF208	4.96
1-9/16	*UGSLF208-25										UG208-25		
1-5/8	UGSLF209-26	116.80	5-3/8	4-1/8	5/8	1-21/32	35/64	2-11/32	2-7/32	1/2	UG209-26	SLF209	5.51
1-11/16	UGSLF209-27										UG209-27		
1-3/4	UGSLF209-28										UG209-28		
1-7/8	UGSLF210-30	150.60	5-5/8	4-3/8	5/8	1-13/16	45/64	2-19/32	2-15/32	5/8	UG210-30	SLF210	6.28
1-15/16	UGSLF210-31										UG210-31		
2	UGSLF210-32										UG210-32		
2	UGSLF211-32	197.00	6-3/8	5-1/8	11/16	1-31/32	45/64	2-15/16	2-13/16	5/8	UG211-32	SLF211	8.93
2-1/8	UGSLF211-34										UG211-34		
2-3/16	UGSLF211-35										UG211-35		
2-1/4	UGSLF212-36	244.20	6-7/8	5-5/8	11/16	2-5/32	45/64	3-3/16	3-1/16	5/8	UG212-36	SLF212	11.25
2-3/8	UGSLF212-38										UG212-38		
2-7/16	UGSLF212-39										UG212-39		
Dimensions (mm)													
20	UGSLF204	54.80	86	63.5	9.5	33	11.5	47.3	43.7	M10	UG204	SLF204	1.51
25	UGSLF205	62.60	95	70	11	35	11.5	48.0	44.4		UG205	SLF205	1.98
30	UGSLF206	77.90	108	82.5	13	37	11.5	52.8	48.4		UG206	SLF206	2.87
35	UGSLF207	95.20	117	92	13	38	14	54.8	51.1	M12	UG207	SLF207	3.75
40	UGSLF208	107.90	130	101.5	16	41	14	59.5	56.3		UG208	SLF208	4.96
45	UGSLF209	116.80	137	105	16	42	14	59.5	56.3		UG209	SLF209	5.51
50	UGSLF210	150.60	143	111	16	46	18	65.9	62.7	M16	UG210	SLF210	6.28
55	UGSLF211	197.00	162	130	18	50	18	74.6	71.4		UG211	SLF211	8.93
60	UGSLF212	244.20	175	143	18	55	18	81.0	77.8		UG212	SLF212	11.25

*Consult factory for availability

Lubrication fitting tap size for 1" and smaller shaft sizes, 1/4-28 UNF; for all other sizes, 1/8-27 NPT

INTERCHANGES:	VF4E-2	F4B-SXR	RCJ	NANF	FB220W	F3Y-N	FY-WF	UELF	RF-E
----------------------	---------------	----------------	------------	-------------	---------------	--------------	--------------	-------------	-------------

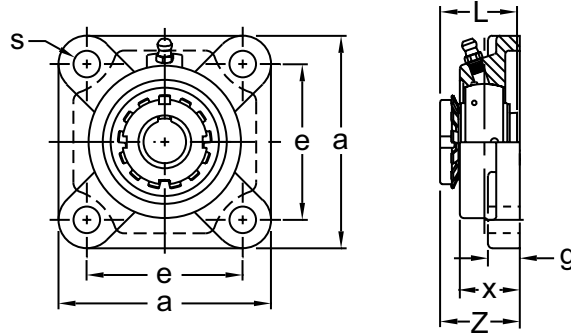


FOUR-BOLT FLANGE UNITS

UKF 200+H

NORMAL DUTY

Tapered Adapter Sleeve
Wide Inner Ring
Cast Iron Housing
Insert Detail-pg.119
Inch and Metric



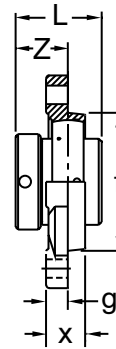
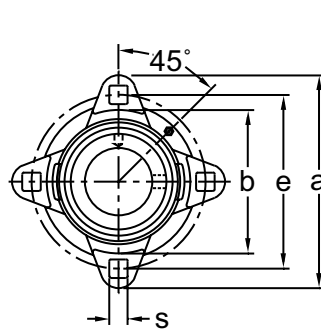
Shaft Diam. (in.)	AMI Unit #	List Price	Dimensions (in.)							Bolt Size (in.)	Bearing #	Housing #	Weight (lb.)
			a	e	g	x	s	Z	L				
3/4 13/16	UKF205+HE2305 UKF205+HA2305	87.10	3-3/4	2-3/4	9/16	1-1/16	15/32	1.398	1.378	7/16	UK205+HE2305 UK205+HA2305	F205	1.94
7/8 15/16 1	UKF206+HS2306 UKF206+HA2306 UKF206+HE2306	106.50	4-1/4	3-1/4	9/16	1-7/32	15/32	1.535	1.496	7/16	UK206+HS2306 UK206+HA2306 UK206+HE2306	F206	2.68
1-1/8 1-3/16	UKF207+HS2307 UKF207+HA2307	121.70	4-5/8	3-5/8	5/8	1-11/32	17/32	1.634	1.693	1/2	UK207+HS2307 UK207+HA2307	F207	3.35
1-1/4 1-5/16 1-3/8	UKF208+HE2308 UKF208+HA2308 UKF208+HS2308	141.60	5-1/8	4	5/8	1-13/32	17/32	1.792	1.811	1/2	UK208+HE2308 UK208+HA2308 UK208+HS2308	F208	4.68
1-7/16 1-1/2 1-5/8	UKF209+HA2309 UKF209+HE2309 UKF209+HS2309	152.40	5-3/8	4-1/8	23/32	1-1/2	19/32	1.890	1.969	9/16	UK209+HA2309 UK209+HE2309 UK209+HS2309	F209	5.58
1-11/16 1-3/4	UKF210+HA2310 UKF210+HE2310	176.90	5-5/8	4-3/8	23/32	1-9/16	19/32	1.949	2.165	9/16	UK210+HA2310 UK210+HE2310	F210	6.02
1-7/8 1-15/16 2	UKF211+HS2311 UKF211+HA2311 UKF211+HE2311	234.50	6-3/8	5-1/8	25/32	1-11/16	21/32	2.106	2.323	5/8	UK211+HS2311 UK211+HA2311 UK211+HE2311	F211	8.03
2-1/16 2-1/8	UKF212+HA2312 UKF212+HS2312	290.00	6-7/8	5-5/8	25/32	1-7/8	21/32	2.362	2.441	5/8	UK212+HA2312 UK212+HS2312	F212	10.3
2-3/16 2-1/4 2-3/8	UKF213+HA2313 UKF213+HE2313 UKF213+HS2313	317.50	7-3/8	5-7/8	25/32	1-1/32	21/32	2.480	2.559	5/8	UK213+HA2313 UK213+HE2313 UK213+HS2313	F213	12.7
2-7/16 2-1/2	UKF215+HA2315 UKF215+HE2315	513.50	7-7/8	6-1/4	15/16	2-7/32	3/4	2.736	2.874	11/16	UK215+HA2315 UK215+HE2315	F215	16.3
2-3/4	UKF216+HE2316	522.80	8-3/16	6-1/2	15/16	2-9/32	29/32	2.874	3.071	7/8	UK216+HE2316	F216	18.3
2-15/16 3	UKF217+HA2317 UKF217+HE2317	629.40	8-11/16	6-7/8	1-1/32	2-15/32	29/32	3.032	3.228	7/8	UK217+HA2317 UK217+HE2317	F217	21.9
3-1/8	UKF218+HS2318	774.80	9-1/4	7-3/8	1-1/32	2-11/16	29/32	3.248	3.386	7/8	UK218+HS2318	F218	26.1
Dimensions (mm)													
20	UKF205+H2305	87.10	95	70	14	27	12	35.5	35	M10	UK205+H2305	F205	1.94
25	UKF206+H2306	106.50	108	83	14	31	12	39	38	M10	UK206+H2306	F206	2.68
30	UKF207+H2307	121.70	117	92	16	34	13.5	41.5	43	M12	UK207+H2307	F207	3.35
35	UKF208+H2308	141.60	130	102	16	36	13.5	45.5	46	M12	UK208+H2308	F208	4.68
40	UKF209+H2309	152.40	137	105	18	38	15	48	50	M14	UK209+H2309	F209	5.58
45	UKF210+H2310	176.90	143	111	18	40	15	49.5	55	M14	UK210+H2310	F210	6.02
50	UKF211+H2311	234.50	162	130	20	43	17	53.5	59		UK211+H2311	F211	8.03
55	UKF212+H2312	290.00	175	143	20	48	17	60	62	M16	UK212+H2312	F212	10.3
60	UKF213+H2313	317.50	187	149	20	50	17	63	65		UK213+H2313	F213	12.7
65	UKF215+H2315	513.50	200	159	24	56	19	69.5	73	M16	UK215+H2315	F215	16.3
70	UKF216+H2316	522.80	208	165	24	58	23	73	78	M20	UK216+H2316	F216	18.3
75	UKF217+H2317	629.40	220	175	26	63	23	77	82	M20	UK217+H2317	F217	21.9
80	UKF218+H2318	774.80	235	187	26	68	23	82.5	86	M20	UK218+H2318	F218	26.1

Lubrication fitting tap size for 1" and smaller shaft sizes, 1/4-28 UNF; for all other sizes, 1/8-27 NPT

INTERCHANGES: UKF



NORMAL DUTY



Eccentric Locking
Wide Inner Ring
Malleable Cast Housing
Insert Detail-pg.115
Inch and Metric

Shaft Diam. (in.)	AMI Unit #	List Price	Dimensions (in.)									Bolt Size (in.)	Bearing #	Housing #	Weight (lb.)	
			a	e	g	x	s	b	f	Z	L					
1-1/2	UGGFDR208-24	145.00	5-25/32	4-11/16	5/8	1-7/64	0.512	3-55/64	3-17/32	1.378	2-7/32	1/2	UG208-24 UG208-25	GFDR208	3.04	
1-9/16	*UGGFDR208-25															
1-5/8	UGGFDR209-26	157.10	5-7/8	4-3/4	5/8	1-7/64	0.512	4-7/32	3-25/32	1.378	2-7/32	1/2	UG209-26 UG209-27 UG209-28	GFDR209	3.22	
1-11/16	UGGFDR209-27															
1-3/4	UGGFDR209-28															
1-7/8	UGGFDR210-30	191.00	6-7/64	5	5/8	1-7/64	0.512	4-29/64	3-31/32	1.496	2-15/32	1/2	UG210-30 UG210-31 UG210-32	GFDR210	3.68	
1-15/16	UGGFDR210-31															
2	UGGFDR210-32															
Dimensions (mm)																
40	UGGFDR208	145.00	147	119	16	28	13	98	89.7	35	56.3	M12	UG208	GFDR208	3.04	
45	UGGFDR209	157.10	149	120.5	16	28	13	107	96	35	56.3		UG209	GFDR209	3.22	
50	UGGFDR210	191.00	155	127	16	28	13	113	100.8	38	62.7		UG210	GFDR210	3.68	

*Consult factory for availability
Lubrication fitting tap size 1/4-28 UNF

INTERCHANGES: GRFD GRFDR

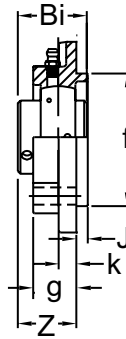
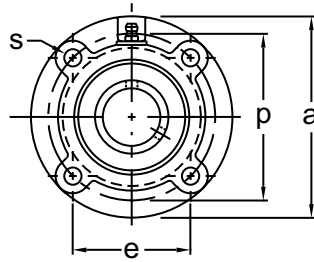


PILOTED FLANGE CARTRIDGE UNITS

UCFC 200

NORMAL DUTY

Set-Screw Locking
Wide Inner Ring
Cast Iron Housing
Insert Detail-pg.113
Covers available-pg.59
Metric



Shaft Diam. (mm)	AMI Unit #	List Price	Dimensions (mm)										Bolt Size (mm)	Bearing #	Housing #	Weight (lb.)
			a	p	e	s	J	K	g	f	Z	Bi				
12	UCFC201	65.65	100	78	55.1	12	5	7	20.5	62	28.3	31.0	M10	UC201	FC204	1.98
15	UCFC202													UC202		1.94
17	UCFC203													UC203		1.92
20	UCFC204	65.65	100	78	55.1	12	5	7	20.5	62	28.3	31.0	M10	UC204	FC204	1.87
25	UCFC205	71.00	115	90	63.6	12	6	7	21	70	29.7	34.0		UC205	FC205	2.45
30	UCFC206	92.60	125	100	70.7	12	8	8	23	80	32.2	38.1		UC206	FC206	3.35
35	UCFC207	109.50	135	110	77.8	14	8	9	26	90	36.4	42.9	M12	UC207	FC207	3.79
40	UCFC208	131.25	145	120	84.8	14	10	9	26	100	41.2	49.2	M12	UC208	FC208	4.68
45	UCFC209	145.70	160	132	93.3	16	12	14	26	105	40.2	49.2	M14	UC209	FC209	6.69
50	UCFC210	171.50	165	138	97.6	16	12	14	28	110	42.6	51.6	M14	UC210	FC210	6.91
55	UCFC211	221.60	185	150	106.1	19	12	15	31	125	46.4	55.6	M16	UC211	FC211	8.7
60	UCFC212	297.65	195	160	113.1	19	12	15	36	135	56.7	65.1	M16	UC212	FC212	9.81
65	UCFC213	384.25	205	170	120.2	19	14	15	36	145	55.7	65.1	M16	UC213	FC213	11.8
70	UCFC214	461.40	215	177	125.1	19	14	18	40	150	61.4	74.6		UC214	FC214	15.2
75	UCFC215	511.25	220	184	130.1	19	16	18	40	160	62.5	77.8		UC215	FC215	16.5
80	UCFC216	608.70	240	200	141.4	23	16	18	42	170	67.3	82.6	M20	UC216	FC216	20.5
85	UCFC217	705.50	250	208	147.1	23	18	20	45	180	69.6	85.7		UC217	FC217	23.7
90	UCFC218	892.55	265	220	155.5	23	18	20	50	190	78.3	96.0		UC218	FC218	28.3

Lubrication fitting tap size for 25mm and smaller shaft sizes, 1/4-28 UNF; for all other sizes, 1/8-27 NPT

INTERCHANGES: UCFC

UCFCS 200

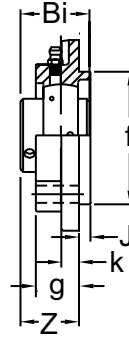
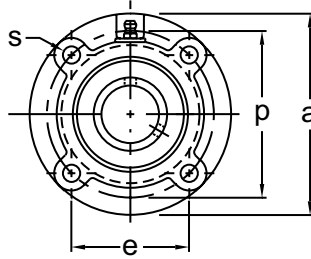
PILOTED FLANGE CARTRIDGE UNITS



NORMAL DUTY



SealMaster® Style



**Set-Screw Locking
Wide Inner Ring
Cast Iron Housing
Insert Detail-pg.112-113
Inch and Metric**

Shaft Diam. (in.)	AMI Unit #	List Price	Dimensions (in.)										Bolt Size (in.)	Bearing #	Housing #	Weight (lb.)
			a	p	e	s	J	k	g	f	Z	Bi				
1-1/16	UCFCS206-17	92.60	4-3/8	3-5/8	2.559	3/8	1/4	23/64	15/16	3.000	1.268	1.500	5/16	UC206-17	FCSX05	2.28
1-1/8	UCFCS206-18													UC206-18		
1-3/16	UCFCS206-19													UC206-19		
1-1/4	UCFCS206-20													UC206-20		
1-1/4	UCFCS207-20	109.50	5	4-1/8	2.921	15/32	3/8	25/64	7/8	3.375	1.315	1.689	3/8	UC207-20	FCSX06	3.14
1-5/16	UCFCS207-21													UC207-21		
1-3/8	UCFCS207-22													UC207-22		
1-7/16	UCFCS207-23													UC207-23		
1-1/2	UCFCS208-24	131.25	5-1/4	4-3/8	3.091	15/32	7/16	7/16	1-1/32	3.625	1.543	1.937	7/16	UC208-24	FCSX07	3.71
1-9/16	UCFCS208-25													UC208-25		
1-5/8	UCFCS209-26	145.70	6-1/8	5-1/8	3.625	17/32	15/32	29/64	7/8	4.250	1.408	1.937	1/2	UC209-26	FCF209	3.82
1-11/16	UCFCS209-27													UC209-27		
1-3/4	UCFCS209-28													UC209-28		
1-7/8	UCFCS210-30													UC210-30		
1-15/16	UCFCS210-31	171.50	6-1/8	5-1/8	3.618	35/64	15/32	7/16	1	4.250	1.598	2.031	1/2	UC210-31	FCSX09	5.20
2	UCFCS210-32													UC210-32		
2	UCFCS211-32	221.60	6-3/8	5-3/8	3.800	35/64	5/8	7/16	1	4.500	1.591	2.189	1/2	UC211-32	FCSX10	5.99
2-1/8	UCFCS211-34													UC211-34		
2-3/16	UCFCS211-35													UC211-35		
2-1/4	UCFCS212-36													UC212-36		
2-3/8	UCFCS212-38	297.65	7-1/8	6	4.232	5/8	7/8	1/2	1-1/32	5.000	1.720	2.563	1/2	UC212-38	FCSX11	8.23
2-7/16	UCFCS212-39													UC212-39		
2-1/2	UCFCS213-40	384.20	7-5/8	6-1/2	4.594	5/8	25/32	9/16	1-5/16	5.500	1.996	2.563	1/2	UC213-40	FCSX12	9.57
2-11/16	UCFCS214-43	417.55	7-5/8	6-1/2	4.594	5/8	25/32	9/16	1-5/16	5.500	2.181	2.937	1/2	UC214-43	FCSX13	11.36
2-3/4	UCFCS214-44													UC214-44		
2-15/16	UCFCS215-47	578.50	8-3/4	7-1/2	5.303	3/4	25/32	9/16	1-13/32	6.375	2.303	3.063	5/8	UC215-47	FCSX14	12.40
3	UCFCS215-48													UC215-48		
Dimensions (mm)																
30	UCFCS206	92.60	111	92	65	9.5	6.4	9	24	76.2	32.2	38.1	M8	UC206	FCSX05	2.28
35	UCFCS207	109.50	127	105	74.2	12	9.5	10	22	85.7	33.4	42.9	M10	UC207	FCSX06	3.14
40	UCFCS208	131.25	133	111	78.5	12	11	11	26	92.1	39.2	49.2	M10	UC208	FCSX07	3.71
45	UCFCS209	145.70	155	130	92.1	13.5	12	12	22	108.0	35.8	49.2		UC209	FCF209	3.82
50	UCFCS210	171.50	155	130	91.9	14	12	11	25	108.0	40.6	51.6	M12	UC210	FCSX09	5.20
55	UCFCS211	221.60	162	136.5	96.5	14	15.9	11	25	114.3	40.4	55.6		UC211	FCSX10	5.99
60	UCFCS212	297.65	181	152	107.5	16	22.2	13	26	127.0	43.7	65.1		UC212	FCSX11	8.23
65	UCFCS213	384.25	194	165	116.7	16	19.8	14	33	139.7	50.7	65.1	M14	UC213	FCSX12	9.57
70	UCFCS214	417.55	194	165	116.7	16	19.8	14	33	139.7	55.4	74.6		UC214	FCSX13	11.36
75	UCFCS215	578.50	222	190.5	134.7	19	19.8	14	36	161.9	58.5	77.8	M16	UC215	FCSX14	11.38

Lubrication fitting tap size for 1" and smaller shaft sizes, 1/4-28 UNF; for all other sizes, 1/8-27 NPT

INTERCHANGES: VFCS FC-SC PFC4-25 SFC

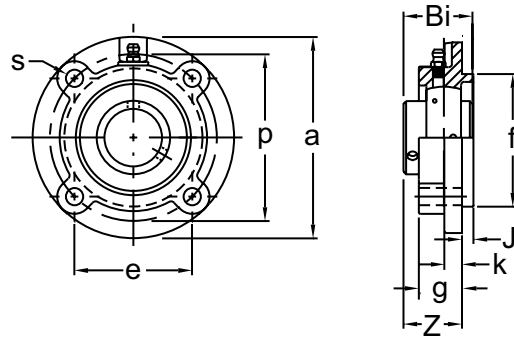


PILOTED FLANGE CARTRIDGE UNITS

UCFCF 200

NORMAL DUTY

Set-Screw Locking
 Eccentric Locking Available
 Wide Inner Ring
 Cast Iron Housing
 Insert Detail-pg.112-113
 Inch and Metric



Fafnir® Style

Shaft Diam. (in.)	AMI Unit #	List Price	Dimensions (in.)										Bolt Size (in.)	Bearing #	Housing #	Weight (lb.)
			a	p	e	s	J	k	g	f	Z	Bi				
7/8	UCFCF205-14	71.00	4-3/8	3-5/8	2.563	13/32	1/4	23/64	55/64	3.000	1.219	1.339	3/8	UC205-14	FCF205	2.68
15/16	UCFCF205-15													UC205-15		
1	UCFCF205-16													UC205-16		
1-1/16	UCFCF206-17	92.60	5	4-1/8	2.917	15/32	27/64	25/64	25/32	3.375	1.172	1.500	7/16	UC206-17	FCF206	3.90
1-1/8	UCFCF206-18													UC206-18		
1-3/16	UCFCF206-19													UC206-19		
1-1/4	UCFCF206-20													UC206-20		
1-1/4	UCFCF207-20	109.50	5-1/4	4-3/8	3.094	15/32	15/32	15/32	7/8	3.625	1.281	1.689	7/16	UC207-20	FCF207	4.20
1-5/16	UCFCF207-21													UC207-21		
1-3/8	UCFCF207-22													UC207-22		
1-7/16	UCFCF207-23													UC207-23		
1-1/2	UCFCF208-24	131.25	5-1/4	4-3/8	3.094	15/32	15/32	15/32	1-1/32	3.625	1.563	1.937	7/16	UC208-24	FCF208	4.60
1-9/16	UCFCF208-25													UC208-25		
1-5/8	UCFCF209-26	145.70	6-1/8	5-1/8	3.625	17/32	15/32	7/16	7/8	4.250	1.406	1.937	1/2	UC209-26	FCF209	6.20
1-11/16	UCFCF209-27													UC209-27		
1-3/4	UCFCF209-28													UC209-28		
1-7/8	UCFCF210-30	171.50	6-3/8	5-3/8	3.800	17/32	5/8	15/32	1-1/16	4.500	1.625	2.031	1/2	UC210-30	FCF210	7.00
1-15/16	UCFCF210-31													UC210-31		
2	UCFCF210-32													UC210-32		
2	UCFCF211-32	221.60	7-1/8	6	4.250	19/32	7/8	15/32	7/8	5.000	1.531	2.189	9/16	UC211-32	FCF211	9.10
2-1/8	UCFCF211-34													UC211-34		
2-3/16	UCFCF211-35													UC211-35		
Dimensions (mm)																
25	UCFCF205	71.00	111	92.1	65.1	10.5	6.4	10	22	76.2	31	34	M8	UC205	FCF205	2.60
30	UCFCF206	92.60	127	104.8	74.1	12	10.7	10	20	85.7	29.8	38.1	M10	UC206	FCF206	3.90
35	UCFCF207	109.50	133	111.1	78.6	12	11.9	12	22	92.1	32.5	42.9	M10	UC207	FCF207	4.20
40	UCFCF208	131.25	134	111.1	78.6	12	11.9	12	26	92.1	39.7	49.2	M10	UC208	FCF208	4.60
45	UCFCF209	145.70	155	130.2	92.1	13.5	11.9	11	22	108.0	35.7	49.2	M12	UC209	FCF209	6.20
50	UCFCF210	171.50	162	136.5	96.5	13.5	15.9	12	27	114.3	41.3	51.6	M12	UC210	FCF210	7.00
55	UCFCF211	221.60	181	152.4	107.8	15	22.2	12	22	127.0	38.9	55.6	M12	UC211	FCF211	9.10

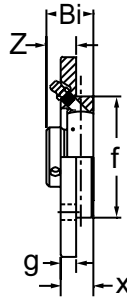
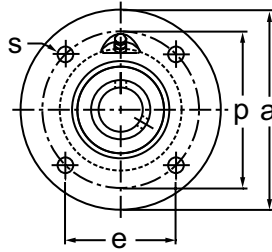
Lubrication fitting tap size for 1" and smaller shaft sizes, 1/4-28 UNF; for all other sizes, 1/8-27 NPT

INTERCHANGES: RFC UCFCF

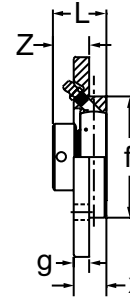
BME / KHME / UCME / UGME 200 PILOTED FLANGE CARTRIDGE UNITS



NORMAL DUTY



BME 200 Type
Set-Screw Locking



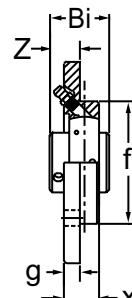
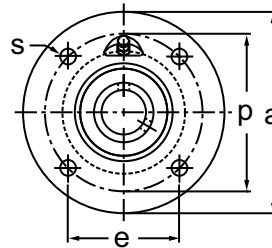
KHME 200 Type
Eccentric Collar Locking

Set-Screw/Eccentric Locking
Narrow Inner Ring
Cast Iron Housing
Insert detail-pg.116-117
Metric

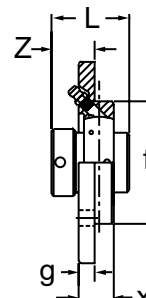
Shaft Diam. (mm)	AMI Unit # Complete with B Type	List Price	AMI Unit # Complete with KH200 Type	List Price	Dimensions (mm)											Bolt Size (mm)	Bearing #		Housing #	Weight (lb.)
					a	p	e	s	g	x	f	Z		Bi	L		B	KH		
20	BME204	67.75	KHME204	95.35	100	78	55.2	9.0	8	17	62	15.7	21.5	24.7	31.0	M8	B4	KH204	ME204	1.20
25	BME205	82.60	KHME205	121.55	115	90	63.6	9.0	9	19	70	17.0	21.0	27.0	31.0	M8	B5	KH205	ME205	1.60
30	BME206	90.45	KHME206	150.30	125	100	70.7	11.5	9	20	80	20.3	24.7	30.3	35.7	M10	B6	KH206	ME206	2.00
35	BME207	120.25	KHME207	171.30	135	110	77.8	11.5	10	20	90	23.4	28.4	32.9	38.9	M10	B7	KH207	ME207	2.80
40	BME208	150.55	KHME208	212.30	145	120	84.9	11.5	11	23	100	25.5	31.7	35.5	43.7	M10	B8	KH208	ME208	3.40
45	—	—	KHME209	224.94	155	130	91.9	14	12	25	105	—	30.7	—	43.7	M12	—	KH209	ME209	4.60
50	—	—	KHME210	248.00	165	135	95.5	14	13	25	110	—	31.7	—	43.7	M12	—	KH210	ME210	5.00

Lubrication fitting tap size for 25mm and smaller shaft sizes, 1/4-28 UNF; for all other sizes, 1/8-27 NPT

INTERCHANGES: PME PNEY



UCME 200 Type
Set-Screw Locking



UGME 200 Type
Eccentric Collar Locking

Set-Screw/Eccentric Locking
Wide Inner Ring
Cast Iron Housing
Insert Detail-pg.113,115
Metric

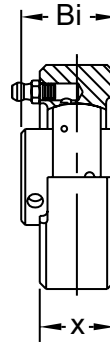
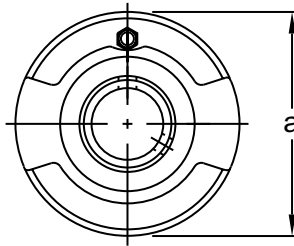
Shaft Diam. (mm)	AMI Unit # Complete with UC200 Type	List Price	AMI Unit # Complete with UG200 Type	List Price	Dimensions (mm)											Bolt Size (mm)	Bearing #		Housing #	Weight (lb.)
					a	p	e	s	g	x	f	Z		Bi	L		UC	UG		
20	UCME204	95.60	UGME204	100.85	100	78	55.2	9.0	8	17	62	16.3	24.6	31.0	43.7	M8	UC204	UG204	ME204	1.20
25	UCME205	122.30	UGME205	132.85	115	90	63.6	9.0	9	19	70	17.2	24.4	34.0	44.4	M8	UC205	UG205	ME205	1.80
30	UCME206	147.25	UGME206	159.40	125	100	70.7	11.5	9	20	80	20.2	28.1	38.1	48.4	M10	UC206	UG206	ME206	2.40
35	UCME207	164.65	UGME207	182.20	135	110	77.8	11.5	10	20	90	24.4	31.3	42.9	51.1	M10	UC207	UG207	ME207	3.00
40	UCME208	208.05	UGME208	226.00	145	120	84.9	11.5	11	23	100	29.2	33.9	49.2	56.3	M10	UC208	UG208	ME208	3.60
45	UCME209	218.10	UGME209	237.65	155	130	91.9	14	12	25	105	28.2	32.9	49.2	56.3	M12	UC209	UG209	ME209	4.40
50	UCME210	243.80	UGME210	256.40	165	135	95.5	14	13	25	110	31.6	37.1	51.6	62.7	M12	UC210	UG210	ME210	5.20

Lubrication fitting tap size for 25mm and smaller shaft sizes, 1/4-28 UNF; for all other sizes, 1/8-27 NPT

INTERCHANGES: RME RMEY



Set-Screw Locking
 Eccentric Locking Available
 Wide Inner Ring
 Cast Iron Housing
 Insert Detail-pg.112-113
 Inch and Metric



Shaft Diam. (in.)	AMI Unit #	List Price	Dimensions (in.)			Bearing #	Housing #	Weight (lb.)
			a	x	Bi			
1/2	UCLC201-8	63.40	2-11/16	7/8	1.024	UCW201-8	LC203	1.12
5/8	UCLC202-10					UCW202-10		1.10
3/4	UCLC204-12	63.40	2-15/16	7/8	1.220	UC204-12	LC204	1.28
7/8	UCLC205-14	68.50	3-1/8	1-1/32	1.339	UC205-14	LC205	1.61
15/16	UCLC205-15					UC205-15		
1	UCLC205-16					UC205-16		
1-1/16	UCLC206-17	89.80	3-1/2	1-3/32	1.500	UC206-17	LC206	2.09
1-1/8	UCLC206-18					UC206-18		
1-3/16	UCLC206-19					UC206-19		
1-1/4	UCLC206-20					UC206-20		
1-1/4	UCLC207-20	105.80	3-7/8	1-7/32	1.689	UC207-20	LC207	2.64
1-5/16	UCLC207-21					UC207-21		
1-3/8	UCLC207-22					UC207-22		
1-7/16	UCLC207-23					UC207-23		
1-1/2	UCLC208-24	129.25	4-3/16	1-15/32	1.937	UC208-24	LC208	3.74
1-9/16	UCLC208-25					UC208-25		
1-5/8	UCLC209-26	140.40	4-3/8	1-7/16	1.937	UC209-26	LC209	3.74
1-11/16	UCLC209-27					UC209-27		
1-3/4	UCLC209-28					UC209-28		
1-7/8	UCLC210-30	165.15	4-9/16	1-15/32	2.031	UC210-30	LC210	4.18
1-15/16	UCLC210-31					UC210-31		
2	UCLC210-32					UC210-32		
2	UCLC211-32	212.20	4-15/16	1-19/32	2.189	UC211-32	LC211	5.28
2-1/8	UCLC211-34					UC211-34		
2-3/16	UCLC211-35					UC211-35		
2-1/4	UCLC212-36	301.70	5-7/8	1-5/8	2.563	UC212-36	LC212	8.36
2-3/8	UCLC212-38					UC212-38		
2-7/16	UCLC212-39					UC212-39		
2-1/2	UCLC213-40	394.90	5-7/8	1-5/8	2.563	UC213-40	LC213	7.92
Dimensions (mm)								
12	UCC201	63.40	72	20	31	UC201	C204	1.20
15	UCC202					UC202		1.16
17	UCC203					UC203		1.14
20	UCC204	63.40	72	20	31	UC204	C204	1.09
25	UCC205	68.50	80	22	34	UC205	C205	1.45
30	UCC206	89.80	85	27	38.1	UC206	C206	1.83
35	UCC207	105.80	90	28	42.9	UC207	C207	2.07
40	UCC208	129.25	100	30	49.2	UC208	C208	2.68
45	UCC209	140.40	110	31	49.2	UC209	C209	3.35
50	UCC210	165.15	120	33	51.6	UC210	C210	4.24
55	UCC211	212.20	125	35	55.6	UC211	C211	4.68
60	UCC212	301.70	130	38	65.1	UC212	C212	5.58
65	UCC213	394.90	140	40	65.1	UC213	C213	6.69

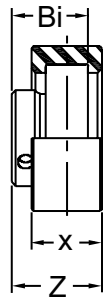
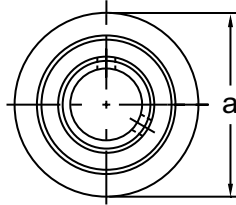
NOTE: Recommended housing bore:
 Rotating Shaft: nominal +0.001" ~ +0.003" (+0.025 mm ~ +0.076 mm).
 Stationary Shaft: nominal +0.000" ~ -0.002" (+0.000 mm ~ -0.050 mm)
 Lubrication fitting tap size 1/4-28 UNF

INTERCHANGES: RC UCC SC

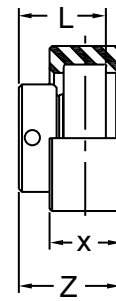
BRRCSM / KHRRCSM 200 CYLINDRICAL RUBBER CARTRIDGE UNITS



NORMAL DUTY



BRRCSM 200 Type
Set-Screw Locking



KHRRCSM 200 Type
Eccentric Collar Locking

Set-Screw/Eccentric Locking
Narrow Inner Ring
Rubber Housing
Non-Relube
Insert Detail-pg.116-117
Inch and Metric

Shaft Diam. (in.)	AMI Unit # Complete with B Type	List Price	AMI Unit # Complete with KH200 Type	List Price	Dimensions (in.)						Bearing #		Housing #	Weight (lb.)
					a	x	Z		Bi	L	B	KHR		
							BRRCSM	KHRRCSM						
1/2	BRRCSM201-8	35.90	KHRRCSM201-8	39.10	2.559	0.984	1.122	1.362	0.866	1-1/8	BR1-8	KHR201-8	RCSM203	0.40
5/8	BRRCSM202-10		KHRRCSM202-10				1.189	1.417			BR2-10	KHR202-10		
3/4	BRRCSM204-12	35.90	KHRRCSM204-12	43.00	2.559	0.984	1.189	1.417	0.972	1-7/32	BR4-12	KHR204-12	RCSM204	0.40
7/8	BRRCSM205-14	41.45	KHRRCSM205-14	46.10	2.559	0.984	1.260	1.417	1.063	1-7/32	BR5-14	KHR205-14	RCSM205	0.60
15/16	BRRCSM205-15		KHRRCSM205-15								BR5-15	KHR205-15		
1	BRRCSM205-16		KHRRCSM205-16								BR5-16	KHR205-16		
1-1/16	—		*KHRRCSM206-17								BR6-17	KHR206-17		
1-1/8	BRRCSM206-18	56.70	KHRRCSM206-18	59.75	2.835	1.102	1.429	1.602	1.193	1-13/32	BR6-18	KHR206-18	RCSM206	0.80
1-3/16	BRRCSM206-19		KHRRCSM206-19								BR6-19	KHR206-19		
1-1/4	BRRCSM206-20		KHRRCSM206-20								BR6-20	KHR206-20		
Dimensions (mm)														
12	BRRCSM201	35.90	KHRRCSM201	39.10	65	25	28.5	34.6	22.0	28.6	BR1	KHR201	RCSM203	0.40
15	BRRCSM202		KHRRCSM202								BR2	KHR202		
17	BRRCSM203		KHRRCSM203								BR3	KHR203		
20	BRRCSM204	35.90	KHRRCSM204	43.00	65	25	30.2	36.0	24.7	31.0	BR4	KHR204	RCSM204	0.40
25	BRRCSM205	41.45	KHRRCSM205	46.10	65	25	32.0	36.0	27.0	31.0	BR5	KHR205	RCSM205	0.40
30	BRRCSM206	56.70	KHRRCSM206	59.75	72	28	36.3	40.7	30.3	35.7	BR6	KHR206	RCSM206	0.60

*Consult factory for availability

INTERCHANGES: RCSM RCSMB

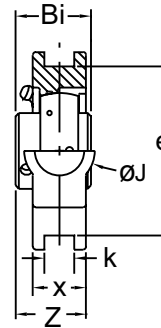
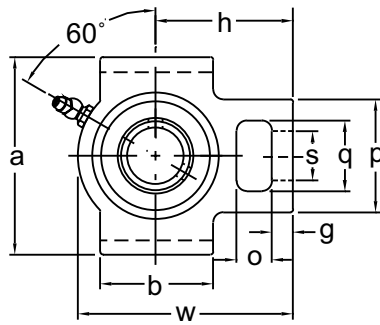


WIDE SLOT TAKE-UP UNITS

UCST 200

NORMAL DUTY

Set-Screw Locking
Wide Inner Ring
Cast Iron Housing
Insert Detail-pg.112
Covers Available-pg.59
Inch



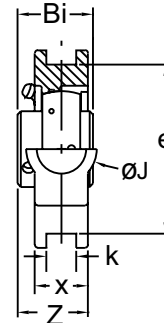
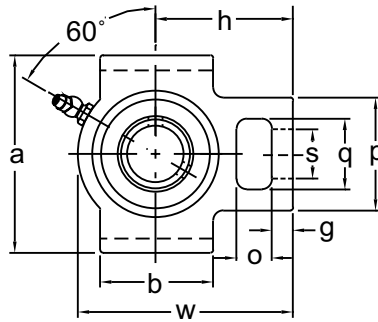
Shaft Diam. (in.)	AMI Unit #	List Price	Dimensions (in.)														Bearing #	Housing #	Weight (lb.)	
			o	g	p	q	s	b	k	e	a	w	J	x	h	Z				Bi
1/2	UCST201-8	54.15	5/8	3/8	2	1-1/4	3/4	2	17/32	3	3-1/2	3-11/16	1-1/4	15/16	2-3/8	1.658	1.220	UC201-8	ST204	1.85
5/8	UCST202-10																	UC202-10		
11/16	UCST203-11																	UC203-11		
3/4	UCST204-12																	UC204-12		
7/8	UCST205-14	59.20	5/8	3/8	2	1-1/4	7/8	2	17/32	3	3-1/2	3-13/16	1-1/4	15/16	2-7/16	1.245	1.339	UC205-14	ST205	1.76
15/16	UCST205-15																	UC205-15		
1	UCST205-16																	UC205-16		
1-1/16	UCST206-17																	UC206-17		
1-1/8	UCST206-18	69.60	5/8	3/8	2-3/16	1-7/16	7/8	2-1/4	17/32	3-1/2	4	4-7/16	1-7/16	15/16	2-3/4	1.812	1.500	UC206-17	ST206	2.42
1-3/16	UCST206-18																	UC206-18		
1-1/4	UCST206-19																	UC206-19		
1-1/4	UCST206-20																	UC206-20		
1-1/4	UCST207-20	84.45	5/8	1/2	2-1/2	1-7/16	7/8	2-1/2	17/32	3-1/2	4	5-1/16	1-7/16	1-3/16	3-1/16	1.594	1.689	UC207-20	ST207	3.53
1-5/16	UCST207-21																	UC207-21		
1-3/8	UCST207-22																	UC207-22		
1-7/16	UCST207-23																	UC207-23		
1-1/2	UCST208-24	100.90	3/4	5/8	3-1/4	1-15/16	1-1/8	3-1/4	11/16	4	4-1/2	5-11/16	1-15/16	1-3/8	3-1/2	1.877	1.937	UC208-24	ST208	5.51
1-9/16	UCST208-25																	UC208-25		
1-5/8	UCST209-26	109.65	3/4	5/8	3-1/4	1-15/16	1-1/8	3-1/4	11/16	4	4-5/8	5-11/16	1-15/16	1-3/8	3-7/16	1.877	1.937	UC209-26	ST209	5.29
1-11/16	UCST209-27																	UC209-27		
1-3/4	UCST209-28																	UC209-28		
1-7/8	UCST210-30	130.90	3/4	5/8	3-1/4	1-15/16	1-1/8	3-3/8	11/16	4	4-5/8	5-7/8	1-15/16	1-3/8	3-9/16	1.971	2.031	UC210-30	ST210	5.29
1-15/16	UCST210-31																	UC210-31		
2	UCST210-32																	UC210-32		
2	UCST211-32	163.50	1	3/4	4	2-1/2	1-3/8	3-3/4	1-1/16	5-1/8	5-3/4	6-3/4	2-1/2	1-5/8	4-3/16	2.128	2.189	UC211-32	ST211	9.04
2-1/8	UCST211-34																	UC211-34		
2-3/16	UCST211-35																	UC211-35		
2-1/4	UCST212-36	219.90	1-1/4	3/4	4	2-1/2	1-3/8	4	1-1/16	5-1/8	5-3/4	7-5/8	2-1/2	1-13/16	4-11/16	2.469	2.563	UC212-36	ST212	11.02
2-3/8	UCST212-38																	UC212-38		
2-7/16	UCST212-39																	UC212-39		
2-1/2	UCST213-40	283.90	1-1/4	13/16	4-3/8	2-3/4	1-5/8	4-3/4	1-1/16	5-15/16	6-9/16	8-13/16	2-3/4	2	5-3/8	2.563	2.563	UC213-40	ST213	15.43
2-11/16	UCST214-43	488.00	1-1/4	13/16	4-3/8	2-3/4	1-5/8	4-3/4	1-1/16	5-15/16	6-9/16	8-13/16	2-3/4	2	5-3/8	2.748	2.937	UC214-43	ST214	16.50
2-3/4	UCST214-44																	UC214-44		

Lubrication fitting tap size for 1" and smaller shaft sizes, 1/4-28 UNF; for all other sizes, 1/8-27 NPT

INTERCHANGES:	VTWS	WSTU	YTU	TH3U-N	WSTU250W	RTUEY	TC-25	TYB-TF	ST
----------------------	-------------	-------------	------------	---------------	-----------------	--------------	--------------	---------------	-----------



NORMAL DUTY



Set-Screw Locking
Wide Inner Ring
Cast Iron Housing
Insert Detail-pg.113
Covers Available-pg.60
Metric

Shaft Diam. (mm)	AMI Unit #	List Price	Dimensions (mm)															Bearing #	Housing #	Weight (lb.)
			o	g	p	q	s	b	k	e	a	w	J	x	h	Z	Bi			
12	UCT201	54.15	16	10	51	32	19	51	12	76	89	94	32	21	61	28.8	31	UC201	T204	1.76
15	UCT202																	UC202		1.72
17	UCT203																	UC203		1.69
20	UCT204																	UC204		1.65
25	UCT205	59.20	16	10	51	32	19	51	12	76	89	97	32	24	62	31.7	34	UC205	T205	1.83
30	UCT206	69.60	16	10	56	37	22	57	12	89	102	113	37	28	70	36.2	38.1	UC206	T206	2.90
35	UCT207	84.45	16	13	64	37	22	64	12	89	102	129	37	30	78	40.4	42.9	UC207	T207	3.57
40	UCT208	100.90	19	16	83	49	29	83	16	102	114	144	49	33	88	46.7	49.2	UC208	T208	5.35
45	UCT209	109.65	19	16	83	49	29	83	16	102	117	144	49	35	87	47.7	49.2	UC209	T209	5.35
50	UCT210	130.90	19	16	83	49	29	86	16	102	117	149	49	37	90	51.1	51.6	UC210	T210	5.58
55	UCT211	163.50	25	19	102	64	35	95	22	130	146	171	64	38	106	52.4	55.6	UC211	T211	8.92
60	UCT212	219.90	32	19	102	64	35	102	22	130	146	194	64	42	119	60.7	65.1	UC212	T212	11.4
65	UCT213	283.90	32	21	111	70	41	121	26	151	167	224	70	44	137	61.7	65.1	UC213	T213	15.6
70	UCT214	375.00	32	21	111	70	41	121	26	151	167	224	70	46	137	67.4	74.6	UC214	T214	15.8
75	UCT215	415.50	32	21	111	70	41	121	26	151	167	232	70	48	140	68.5	77.8	UC215	T215	16.7
80	UCT216	478.00	32	21	111	70	41	121	26	165	184	235	70	51	140	74.8	82.6	UC216	T216	19.0
85	UCT217	573.30	38	29	124	73	48	157	30	173	198	260	73	54	162	78.6	85.7	UC217	T217	25.0

Lubrication fitting tap size for 25mm and smaller shaft sizes, 1/4-28 UNF; for all other sizes, 1/8-27 NPT

INTERCHANGES: UCT

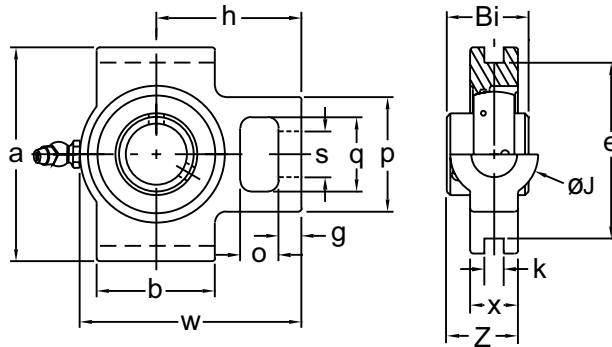


NARROW SLOT TAKE-UP UNITS

UCNST 200

NORMAL DUTY

**Set-Screw Locking
Wide Inner Ring
Cast Iron Housing
Insert Detail-pg.112
Inch**



Hub City® Style

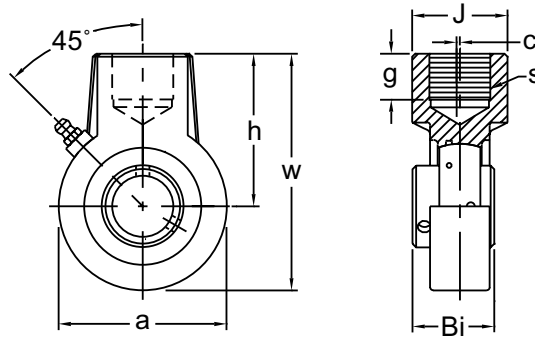
Shaft Diam. (in.)	AMI Unit #	List Price	Dimensions (in.)														Bearing #	Housing #	Weight (lb.)	
			o	g	p	q	s	b	k	e	a	w	J	x	h	Bi				Z
1/2	UCNST201-8	54.15	5/8	3/8	1-7/8	1-7/32	3/4	1-3/4	5/16	3	3-1/2	3-35/64	1-7/16	25/32	2-3/8	1.220	1.111	UC201-8	NST204	1.85
5/8	UCNST202-10																	UC202-10		
11/16	UCNST203-11																	UC203-11		
3/4	UCNST204-12																	UC204-12		
7/8	UCNST205-14	59.20	5/8	3/8	1-7/8	1-7/32	3/4	1-15/16	5/16	3	3-1/2	3-5/8	1-7/16	25/32	2-3/8	1.339	1.167	UC205-14	NST205	1.76
15/16	UCNST205-15																	UC205-15		
1	UCNST205-16																	UC205-16		
1-1/16	UCNST206-17																	UC206-17		
1-1/8	UCNST206-18	69.60	3/4	1/2	2-1/8	1-11/32	7/8	2-3/8	5/16	3-1/2	4	4-1/4	1-19/32	7/8	2-25/32	1.500	1.312	UC206-18	NST206	2.42
1-3/16	UCNST206-19																	UC206-19		
1-1/4	UCNST206-20																	UC206-20		
1-1/4	UCNST207-20																	UC207-20		
1-5/16	UCNST207-21	84.45	3/4	1/2	2-1/8	1-11/32	7/8	2-5/8	5/16	3-1/2	4	4-5/8	1-19/32	29/32	2-15/16	1.689	1.453	UC207-21	NST207	3.53
1-3/8	UCNST207-22																	UC207-22		
1-7/16	UCNST207-23																	UC207-23		
1-1/2	UCNST208-24																	UC208-24		
1-9/16	UCNST208-25	100.90	3/4	5/8	2-5/8	1-37/64	1-1/8	2-15/16	5/16	4	4-1/2	5-1/8	1-13/16	31/32	3-1/4	1.937	1.673	UC208-24	NST208	5.51
1-5/8	UCNST209-26																	UC209-26		
1-11/16	UCNST209-27																	UC209-27		
1-3/4	UCNST209-28																	UC209-28		
1-7/8	UCNST210-30	130.90	3/4	5/8	2-5/8	1-37/64	1-1/8	3-5/16	5/16	4	4-1/2	5-11/16	1-13/16	1-1/16	3-9/16	2.031	1.814	UC210-30	NST210	5.29
1-15/16	UCNST210-31																	UC210-31		
2	UCNST210-32																	UC210-32		
2	UCNST211-32																	UC211-32		
2-1/8	UCNST211-34	163.50	1	3/4	3-1/4	1-15/16	1-3/8	3-11/16	5/16	5-1/8	5-3/4	6-15/32	2-1/8	1-1/8	4-1/8	2.189	1.878	UC211-34	NST211	9.04
2-3/16	UCNST211-35																	UC211-35		
2-1/4	UCNST212-36																	UC212-36		
2-3/8	UCNST212-38																	UC212-38		
2-7/16	UCNST212-39	219.90	1	3/4	3-1/4	1-15/16	1-3/8	4-1/16	5/16	5-1/8	5-3/4	7	2-1/8	1-3/16	4-7/16	2.563	2.157	UC212-39	NST212	11.02

Lubrication fitting tap size for 1" and smaller shaft sizes, 1/4-28 UNF; for all other sizes, 1/8-27 NPT

INTERCHANGES: UCTRS TU250W



NORMAL DUTY



Set-Screw Locking
Wide Inner Ring
Cast Iron Housing
N.P.S.M. Straight Pipe Thread
Insert detail-pg.112
Inch and Metric

Shaft Diam. (in.)	AMI Unit #	List Price	Dimensions (in.)								Bearing #	Housing #	Weight (lb.)
			a	w	h	J	S (N.P.S.M.)	g	Bi	c			
1/2	UCECH201-8	78.20	2-3/4	3-7/8	2-1/2	1-9/16	PF3/4	3/4	1.220	0	UC201-8	ECH204	1.87
5/8	UCECH202-10										UC202-10		
11/16	UCECH203-11										UC203-11		
3/4	UCECH204-12										UC204-12		
7/8	UCECH205-14	87.00	2-3/4	3-7/8	2-1/2	1-9/16	PF3/4	3/4	1.339	0	UC205-14	ECH205	1.63
15/16	UCECH205-15										UC205-15		
1	UCECH205-16										UC205-16		
1-1/16	UCECH206-17	101.00	3-1/8	4-1/8	2-1/2	1-9/16	PF3/4	3/4	1.500	0	UC206-17	ECH206	2.01
1-1/8	UCECH206-18										UC206-18		
1-3/16	UCECH206-19										UC206-19		
1-1/4	UCECH206-20										UC206-20		
1-1/4	UCECH207-20	128.85	3-5/8	4-9/16	2-3/4	1-9/16	PF3/4	3/4	1.689	0	UC207-20	ECH207	2.64
1-5/16	UCECH207-21										UC207-21		
1-3/8	UCECH207-22										UC207-22		
1-7/16	UCECH207-23										UC207-23		
1-1/2	UCECH208-24	157.00	3-3/4	4-3/4	2-7/8	1-9/16	PF3/4	3/4	1.937	0.079	UC208-24	ECH208	3.09
1-9/16	UCECH208-25										UC208-25		
1-5/8	UCECH209-26	173.90	4-1/4	5-3/8	3-1/4	1-7/8	PF1	13/16	1.937	0.158	UC209-26	ECH209	3.97
1-11/16	UCECH209-27										UC209-27		
1-3/4	UCECH209-28										UC209-28		
1-7/8	UCECH210-30	199.00	4-1/2	5-1/2	3-1/4	1-7/8	PF1	13/16	2.031	0.197	UC210-30	ECH210	4.19
1-15/16	UCECH210-31										UC210-31		
2	UCECH210-32										UC210-32		
2	UCECH211-32										UC211-32		
2-1/8	UCECH211-34	292.90	5-5/8	6-13/16	4	2-23/64	PF1-1/4	1-1/8	2.189	0.343	UC211-34	ECH211	8.19
2-3/16	UCECH211-35										UC211-35		
2-1/4	UCECH212-36										UC212-36		
2-3/8	UCECH212-38	355.65	5-5/8	6-13/16	4	2-23/64	PF1-1/4	1-1/8	2.563	0.343	UC212-38	ECH212	8.6
2-7/16	UCECH212-39										UC212-39		
2-1/2	UCECH213-40										UC213-40		
2-11/16	UCECH214-43	524.40	6-3/4	7-7/8	4-5/8	2-3/4	PF1-1/2	1-1/4	2.937	0.374	UC214-43	ECH214	12.68
2-3/4	UCECH214-44										UC214-44		
2-15/16	UCECH215-47	563.50	6-3/4	7-7/8	4-5/8	2-3/4	PF1-1/2	1-1/4	3.063	0.374	UC215-47	ECH215	12.55
3	UCECH215-48										UC215-48		
Dimensions (mm)													
20	UCECH204	78.20	70	99	64	40	PF3/4	19	31	0	UC204	ECH204	1.87
25	UCECH205	87.00	70	99	64	40	PF3/4	19	34	0	UC205	ECH205	1.65
30	UCECH206	101.00	80	104	64	40	PF3/4	19	38.1	0	UC206	ECH206	2.03
35	UCECH207	128.85	92	116	70	40	PF3/4	19	42.9	0	UC207	ECH207	2.68
40	UCECH208	157.00	96	121	73	40	PF3/4	19	49.2	2	UC208	ECH208	3.12
45	UCECH209	173.90	108	136	82	48	PF1	21	49.2	4	UC209	ECH209	4.01
50	UCECH210	199.00	114	140	83	48	PF1	21	51.6	5	UC210	ECH210	4.24
55	UCECH211	292.90	143	173	101.6	60	PF1-1/4	28.5	55.6	8.7	UC211	ECH211	8.22
60	UCECH212	355.65	143	173	101.6	60	PF1-1/4	28.5	65.1	8.7	UC212	ECH212	8.63
65	UCECH213	429.15	171	200	117.5	70	PF1-1/2	32	65.1	9.5	UC213	ECH213	12.61
70	UCECH214	524.40	171	200	117.5	70	PF1-1/2	32	74.6	9.5	UC214	ECH214	12.73
75	UCECH215	563.50	171	200	117.5	70	PF1-1/2	32	77.8	9.5	UC215	ECH215	12.61

Lubrication fitting tap size for 1" and smaller shaft sizes, 1/4-28 UNF; for all other sizes, 1/8-27 NPT

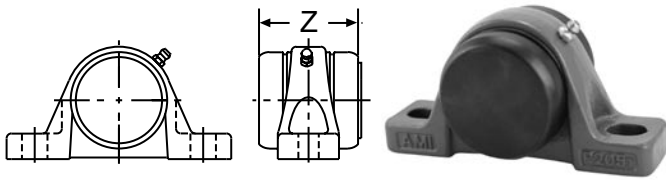
INTERCHANGES: RCH (Accu-Loc Style) UCHA MEHB UCH SEHB

Shaft Diam. (mm)	Bore Size	Pillow Block						2 Bolt			4 Bolt			Flange Cartridge			Take-Up		
		UCP (pg. 13)			UCLP (pg. 18)			UCFL (pg. 31)			UCF (pg. 44)			UCFC (pg. 49)			UCST (pg. 55)		
		Z (in.)	Z (mm)	List Price	Z (in.)	Z (mm)	List Price	Z (in.)	Z (mm)	List Price	Z (in.)	Z (mm)	List Price	Z (in.)	Z (mm)	List Price	Z (in.)	Z (mm)	List Price
12	201	2.205	56	82.20	1.807	45.9	126.45	1.693	43	69.50	1.693	43	69.50	1.496	38	78.00	2.315	56	91.00
15	202																		
17	203																		
20	204	2.205	56	82.20	1.933	49.1	126.45	1.693	43	69.50	1.693	43	69.50	1.496	38	78.00	2.315	56	91.00
25	205	2.480	63	92.90	2.457	62.4	130.95	1.850	47	78.70	1.890	48	78.70	1.654	42	89.30	2.473	63	103.60
30	206	2.559	65	117.50	2.283	58.0	146.90	1.929	49	101.30	2.008	51	101.30	1.693	43	110.40	2.394	65	126.30
35	207	2.756	70	135.60	2.728	69.3	157.40	2.126	54	117.80	2.126	54	117.80	1.811	46	127.50	2.762	70	145.20
40	208	3.228	82	162.80	3.075	78.1	171.35	2.402	61	142.40	2.441	62	142.40	2.047	52	156.60	3.304	82	177.00
45	209	3.228	82	181.90	3.197	81.2	202.05	2.480	63	158.30	2.480	63	158.30	2.008	51	182.20	3.225	82	205.80
50	210	2.425	87	217.50	3.268	83.0	220.80	2.598	66	189.30	2.598	66	189.30	2.126	54	208.00	3.344	87	236.20
55	211	3.465	88	276.00	3.555	90.3	249.30	2.717	69	240.50	2.717	69	240.50	2.244	57	276.00	3.594	88	311.60
60	212	4.016	102	364.70	3.976	101.0	292.30	3.150	80	315.50	3.150	80	315.50	2.677	68	340.30	4.175	102	389.50
65	213	4.016	102	422.90	3.976	101.0	347.05	3.189	81	370.80	3.189	81	370.80	2.638	67	409.60	4.283	102	461.70

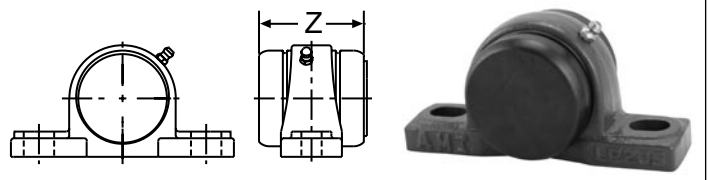
Example: UCP205C or UCP205CE; Open Cover (C) with Contact Seal, Closed Cover (CE)

Note: For Take-Up and Pillow Block Units: "C" suffix indicates 2 open pressed steel covers; "CE" suffix indicates 1 open and 1 closed cover. For more dimensional information, please refer to the page number that follows each unit above.

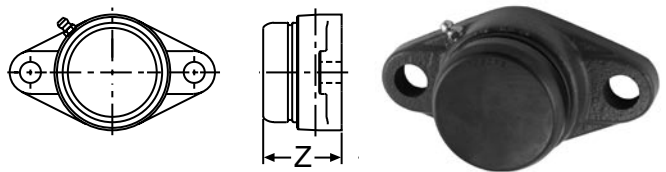
UCP 200 C(CE)



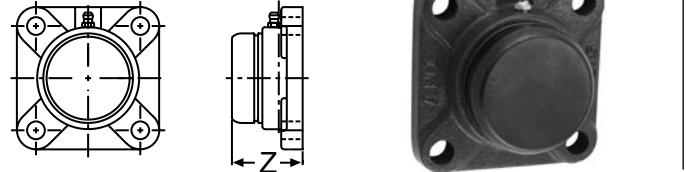
UCLP 200 C(CE)



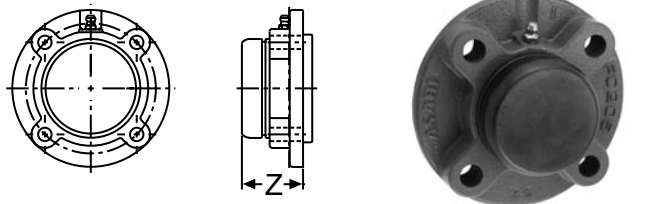
UCFL 200 C(CE)



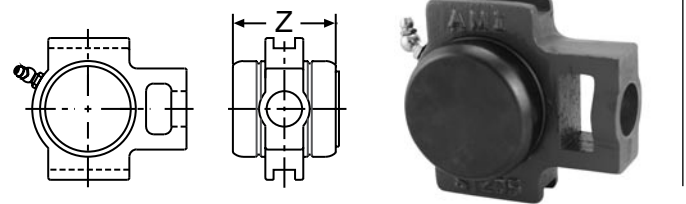
UCF 200 C(CE)



UCFC 200 C(CE)



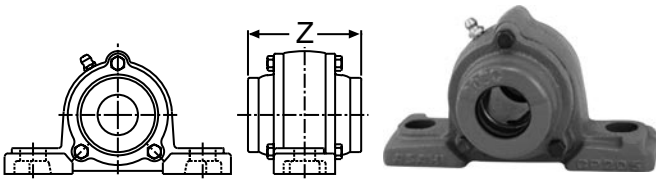
UCST 200 C(CE)



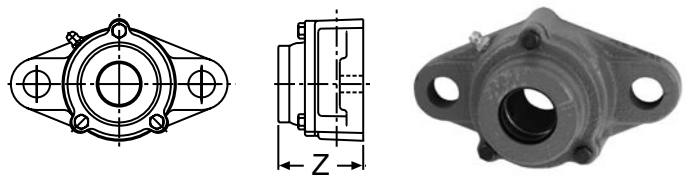
Shaft Diam. (mm)	Bore Size	Pillow Block			2 Bolt			4 Bolt			Flange Cartridge			Take-Up		
		CUCP			CUCFL			CUCF			CUCFC			CUCT		
		Z (in.)	Z (mm)	List Price	Z (in.)	Z (mm)	List Price	Z (in.)	Z (mm)	List Price	Z (in.)	Z (mm)	List Price	Z (in.)	Z (mm)	List Price
12	201	2.441	62	121.60	1.811	46	89.00	1.811	46	89.00	1.614	41	97.70	2.441	62	130.40
15	202															
17	203															
20	204	2.441	62	121.60	1.811	46	89.00	1.811	46	89.00	1.614	41	97.70	2.441	62	130.40
25	205	2.756	70	134.30	2.008	51	99.30	2.008	51	99.30	1.772	45	110.00	2.756	70	145.00
30	206	2.913	74	173.80	2.165	55	129.50	2.165	55	129.50	1.850	47	138.50	2.913	74	182.90
35	207	3.150	80	195.20	2.323	59	147.60	2.323	59	147.60	2.008	51	157.30	3.150	80	204.80
40	208	2.543	90	221.60	2.598	66	171.80	2.598	66	171.80	2.205	56	186.00	2.543	90	235.90
45	209	2.543	90	237.50	2.638	67	186.00	2.638	67	186.00	2.165	55	210.00	2.543	90	261.50
50	210	3.858	98	277.00	2.795	71	219.00	2.795	71	219.00	2.323	59	237.90	3.858	98	295.70
55	211	3.937	100	337.50	2.953	75	271.20	2.953	75	271.20	2.480	63	306.70	3.937	100	373.00
60	212	4.488	114	421.90	3.386	86	343.60	3.386	86	343.60	2.913	74	368.50	4.488	114	445.80
65	213	4.646	118	483.70	3.504	89	401.10	3.504	89	401.10	2.953	75	440.00	4.646	118	522.50
70	214	5.276	134	578.80	3.858	98	474.70	3.858	98	474.70	3.307	84	523.20	5.276	134	627.30
75	215	5.354	136	647.40	4.016	102	536.40	4.016	102	536.40	3.386	86	575.20	5.354	136	686.20
80	216	5.748	146	745.00	4.213	107	625.00	4.213	107	625.00	3.583	91	654.20	5.748	146	774.30
85	217	5.906	150	888.00	4.370	111	752.00	4.370	111	752.00	3.661	93	776.50	5.906	150	912.30
90	218	6.457	164	1090.00	4.803	122	932.00	4.803	122	932.00	4.094	104	969.00	-	-	-

Example: CUCP205C or CUCP205CE; Open Cover (C) with Contact Seal, Closed Cover (CE)
 Note: For Take-Up and Pillow Block Units: "C" suffix indicates 2 open cast iron covers; "CE" suffix indicates 1 open and 1 closed cover.
 For more dimensional information, please refer to the page number that follows each unit above.

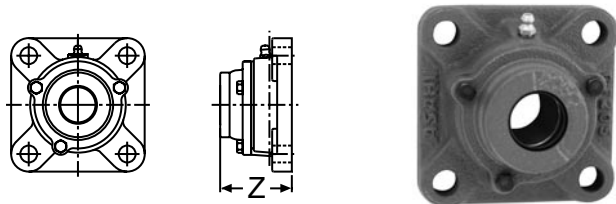
CUCP 200 C(CE)



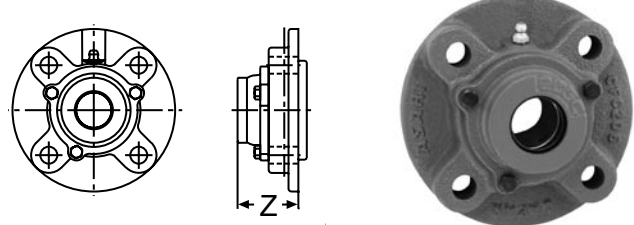
CUCFL 200 C(CE)



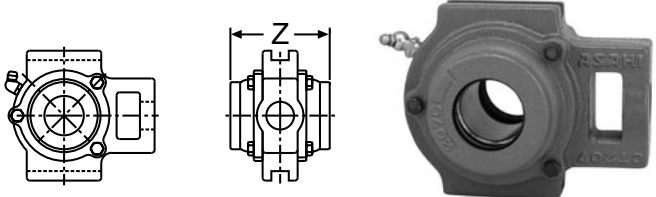
CUCF 200 C(CE)

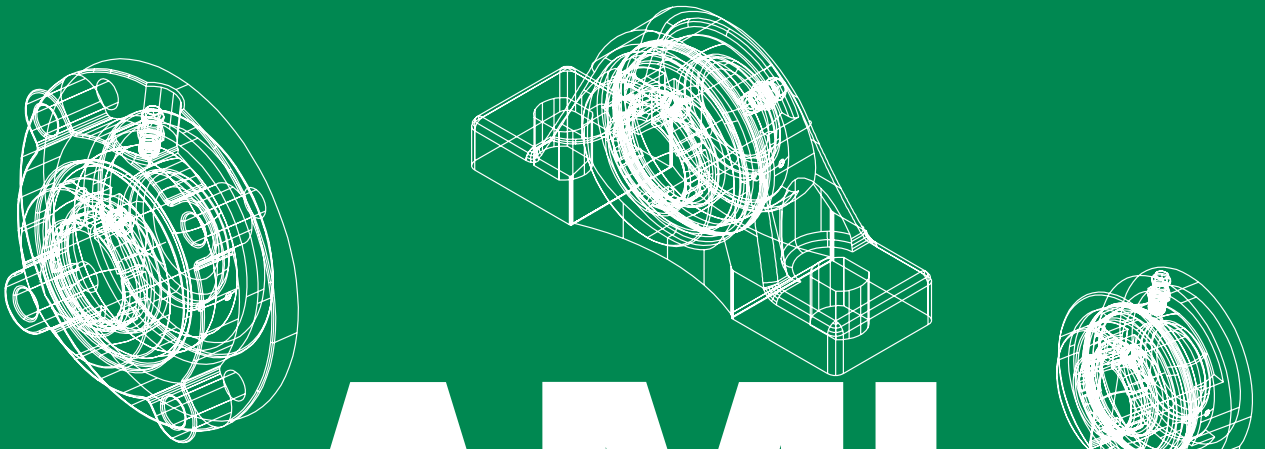


CUCFC 200 C(CE)



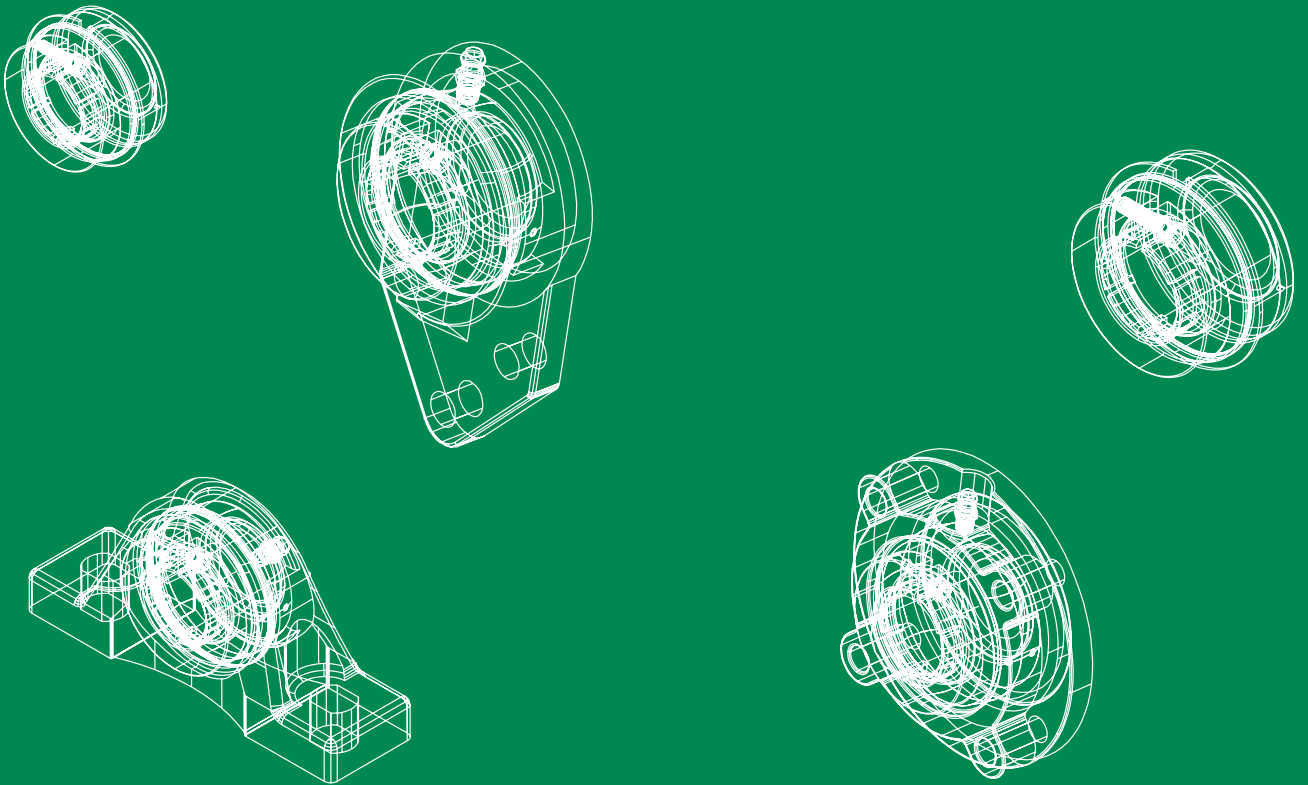
CUCT 200 C(CE)

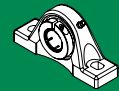




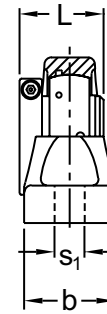
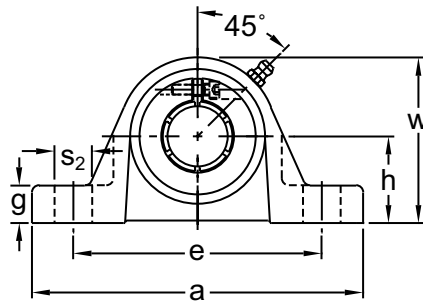
AMI

Accu-Loc[®]





NORMAL DUTY

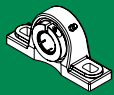


Concentric Locking
52100 Bearing Steel
w/Black Oxide Finish
Cast Iron Housing
Insert detail-pg.120
Inch and Metric

Shaft Diam. (in.)	AMI Unit #	List Price	Dimensions (in.)											Bolt Size (in.)	Bearing #	Housing #	Weight (lb.)
			h	a	e		b	s1	s2	g	w	L					
					Min.	Max.											
3/4	UEP204-12	73.00	1-5/16	5	3-3/8	4-1/8	1-1/2	1/2	3/4	19/32	2-9/16	1.299	3/8	UE204-12	P204T	1.59	
7/8	UEP205-14	76.10	1-7/16	5-1/2	3-3/4	4-1/2	1-1/2	1/2	3/4	5/8	2-3/4	1.394	3/8	UE205-14	P205T	1.94	
15/16	UEP205-15													UE205-15			
1	UEP205-16													UE205-16			
1-1/8	UEP206-18	99.80	1-11/16	6-1/2	4-7/16	5-1/16	1-7/8	21/32	13/16	23/32	3-9/32	1.567	1/2	UE206-18	P206T	3.09	
1-3/16	UEP206-19													UE206-19			
1-1/4	UEP206-20													UE206-20			
1-1/4	UEP207-20	130.10	1-7/8	6-9/16	4-11/16	5-5/16	1-7/8	21/32	13/16	3/4	3-11/16	1.728	1/2	UE207-20	P207T	3.86	
1-3/8	UEP207-22													UE207-22			
1-7/16	UEP207-23													UE207-23			
1-1/2	UEP208-24	135.90	1-15/16	7-1/4	4-7/8	5-7/8	2-1/8	21/32	1	3/4	3-15/16	1.976	1/2	UE208-24	P208T	4.74	
1-11/16	UEP209-27	153.40	2-1/8	7-1/2	5-3/8	6-1/8	2-1/8	21/32	7/8	25/32	4-1/4	1.976	1/2	UE209-27	P209T	5.74	
1-3/4	UEP209-28													UE209-28			
1-15/16	UEP210-31	172.50	2-1/4	8-1/8	5-7/8	6-5/8	2-3/8	25/32	1	7/8	4-1/2	2.071	5/8	UE210-31	P210T	6.57	
2	UEP210-32													UE210-32			
2	UEP211-32	200.70	2-1/2	8-5/8	6-3/8	7-1/8	2-3/8	25/32	1	7/8	4-31/32	2.228	5/8	UE211-32	P211T	8.13	
2-3/16	UEP211-35													UE211-35			
2-7/16	UEP212-39	239.60	2-3/4	9-1/2	6-7/8	7-5/8	2-3/4	25/32	1	1	5-7/16	2.622	5/8	UE212-39	P212T	11.70	
Dimensions (mm)																	
20	UEP204	73.00	33.3	127	86	105	38	13	19	15	65	33.0	M10	UE204	P204T	1.61	
25	UEP205	76.40	36.5	140	95	114	38	13	19	16	70	35.4	M10	UE205	P205T	1.96	
30	UEP206	101.30	42.9	165	113	129	48	17	21	18	83	39.8	M14	UE206	P206T	3.12	
35	UEP207	129.30	47.6	167	119	135	48	17	21	19	94	43.9		UE207	P207T	3.90	
40	UEP208	137.40	49.2	184	124	149	54	17	25	19	100	50.2	M14	UE208	P208T	4.79	
45	UEP209	157.60	54.0	190	137	156	54	17	22	20	108	50.2		UE209	P209T	5.52	
50	UEP210	176.50	57.2	206	149	168	60	20	25	22	114	52.6		UE210	P210T	6.64	
55	UEP211	221.90	63.5	219	162	181	60	20	25	22	126	56.6	M16	UE211	P211T	8.22	
60	UEP212	248.00	69.8	241	175	194	70	20	25	25	138	66.6		UE212	P212T	11.84	

Lubrication fitting tap size for 1" and smaller shaft sizes, 1/4-28 UNF; for all other sizes, 1/8-27 NPT

INTERCHANGES: VPB-2 P2B-DL RASC KC-45 NP-T

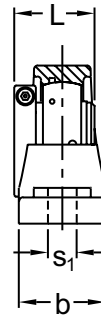
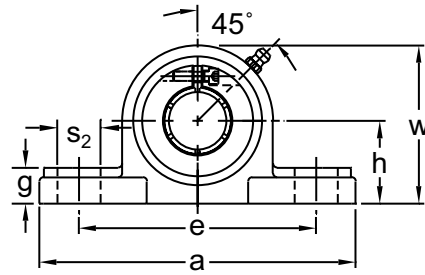


ACCU-LOC LOW BASE PILLOW BLOCKS

UELP 200

NORMAL DUTY

Concentric Locking
52100 Bearing Steel
w/Black Oxide Finish
Cast Iron Housing
Low Shaft Height
Insert detail-pg.120
Inch and Metric



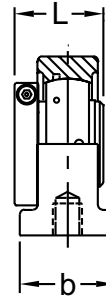
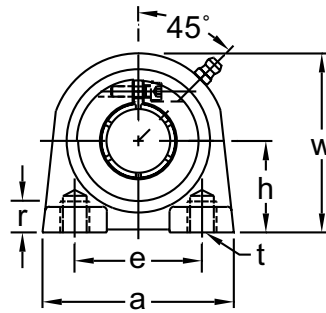
Shaft Diam. (in.)	AMI Unit #	List Price	Dimensions (in.)										Bolt Size (in.)	Bearing #	Housing #	Weight (lb.)
			h	a	e		b	s ₁	s ₂	g	w	L				
					Min.	Max.										
3/4	UELP204-12	73.00	1-1/4	5-1/4	3-1/2	4-1/4	1-1/4	1/2	3/4	1/2	2-9/16	1.299	3/8	UE204-12	LP204	1.64
7/8	UELP205-14	76.10	1-5/16	5-1/2	3-3/4	4-1/2	1-1/2	1/2	3/4	5/8	2-11/16	1.394	3/8	UE205-14	LP205	1.96
15/16	UELP205-15													UE205-15		
1	UELP205-16													UE205-16		
1-1/8	UELP206-18	99.80	1-9/16	6-1/2	4-1/2	5-1/4	1-5/8	19/32	7/8	11/16	3-3/16	1.567	1/2	UE206-18	LP206	2.86
1-3/16	UELP206-19													UE206-19		
1-1/4	UELP206-20													UE206-20		
1-1/4	UELP207-20	130.10	1-13/16	7	5	5-3/4	1-7/8	19/32	7/8	3/4	3-11/16	1.728	1/2	UE207-20	LP207	4.52
1-3/8	UELP207-22													UE207-22		
1-7/16	UELP207-23													UE207-23		
1-1/2	UELP208-24	135.90	1-15/16	7-1/4	5-1/4	6	2	19/32	7/8	13/16	3-15/16	1.976	1/2	UE208-24	LP208	5.18
1-11/16	UELP209-27	153.40	2-1/16	7-3/4	5-1/2	6-1/2	2-1/8	19/32	1	13/16	4-3/16	1.976	1/2	UE209-27	LP209	5.68
1-3/4	UELP209-28													UE209-28		
1-15/16	UELP210-31	172.50	2-3/16	8-3/8	6	7	2-1/4	19/32	1	7/8	4-7/16	2.071	1/2	UE210-31	LP210	7.01
2	UELP210-32													UE210-32		
2	UELP211-32	200.70	2-7/16	9-1/4	6-5/8	7-5/8	2-1/2	3/4	1-1/8	1	4-15/16	2.228	5/8	UE211-32	LP211	9.68
2-3/16	UELP211-35													UE211-35		
2-7/16	UELP212-39	239.60	2-11/16	9-3/4	7-1/8	8-1/8	2-3/4	3/4	1-1/8	1-1/8	5-7/16	2.622	5/8	UE212-39	LP212	13.02
Dimensions (mm)																
20	UELP204	73.00	31.8	133	89	108	32	12	19	13	65	33.0	M10	UE204	LP204	1.64
25	UELP205	76.40	33.3	140	95	114	38	12	19	16	68	35.4	M10	UE205	LP205	1.96
30	UELP206	101.30	39.7	165	114	133	41	15	22	17	81	39.8	M12	UE206	LP206	2.86
35	UELP207	129.30	46.0	178	127	146	48	15	22	19	94	43.9	M12	UE207	LP207	4.52
40	UELP208	137.40	49.2	184	133	152	51	15	22	21	100	50.2	M12	UE208	LP208	5.18
45	UELP209	157.60	52.4	197	140	165	54	15	25	21	106	50.2	M12	UE209	LP209	5.68
50	UELP210	176.50	55.6	213	152	178	57	15	25	22	113	52.6	M12	UE210	LP210	7.01
55	UELP211	221.90	61.9	235	168	194	64	19	29	25	125	56.6	M16	UE211	LP211	9.68
60	UELP212	248.00	68.3	248	181	206	70	19	29	29	138	66.6	M16	UE212	LP212	13.02

Lubrication fitting tap size for 1" and smaller shaft sizes, 1/4-28 UNF; for all other sizes, 1/8-27 NPT

INTERCHANGES: VPLB-2 P2B-DBL KCL-45 NPL-T



NORMAL DUTY



Concentric Locking
52100 Bearing Steel
w/Black Oxide Finish
Cast Iron Housing
Insert detail-pg.120
Inch and Metric

Shaft Diam. (in.)	AMI Unit #	List Price	Dimensions (in.)							Bolt Holes UNC Thread t (in.)	Bearing #	Housing #	Weight (lb.)
			h	a	e	b	r	w	L				
3/4	UETB204-12	79.30	1-5/16	2-7/8	2	1-1/2	1/2	2-9/16	1.299	3/8-16	UE204-12	TB204	1.59
7/8	UETB205-14	83.20	1-7/16	3	2	1-1/2	1/2	2-13/16	1.394	3/8-16	UE205-14	TB205	1.99
15/16	UETB205-15										UE205-15		
1	UETB205-16										UE205-16		
1-1/8	UETB206-18	112.30	1-11/16	4	3	1-1/2	5/8	3-3/8	1.567	7/16-14	UE206-18	TB206	2.87
1-3/16	UETB206-19										UE206-19		
1-1/4	UETB206-20										UE206-20		
1-1/4	UETB207-20	144.90	1-7/8	4-1/4	3-1/4	1-7/8	3/4	3-3/4	1.728	1/2-13	UE207-20	TB207	4.06
1-3/8	UETB207-22										UE207-22		
1-7/16	UETB207-23										UE207-23		
1-1/2	UETB208-24	147.20	1-15/16	4-5/8	3-1/2	1-7/8	3/4	3-15/16	1.976	1/2-13	UE208-24	TB208	4.52
1-11/16	UETB209-27	164.00	2-1/8	5	3-3/4	2	3/4	4-1/4	1.976	1/2-13	UE209-27	TB209	5.24
1-3/4	UETB209-28										UE209-28		
1-15/16	UETB210-31	179.00	2-1/4	5-1/2	4	2	7/8	4-5/8	2.071	5/8-11	UE210-31	TB210	6.35
2	UETB210-32										UE210-32		
Dimensions (mm)													
20	UEPA204	80.00	30.2	76	52	38	12	62	33.0	M10	UE204	PA204	1.50
25	UEPA205	84.20	36.5	84	56	38	15	72	35.4	M10	UE205	PA205	2.01
30	UEPA206	115.10	42.9	94	66	48	18	84	39.8	M14	UE206	PA206	2.90
35	UEPA207	145.80	47.6	110	80	48	20	95	43.9	M14	UE207	PA207	4.12
40	UEPA208	149.90	49.2	116	84	54	20	100	50.2		UE208	PA208	4.57
45	UEPA209	169.30	54.2	120	90	54	25	108	50.2		UE209	PA209	5.30
50	UEPA210	183.70	57.2	130	94	60	25	116	52.6	M16	UE210	PA210	6.42

Lubrication fitting tap size for 1" and smaller shaft sizes, 1/4-28 UNF; for all other sizes, 1/8-27 NPT

INTERCHANGES: VTBB TB-DL KTBC-45 TB-T

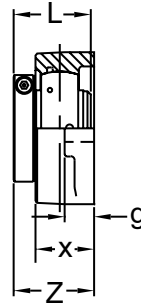
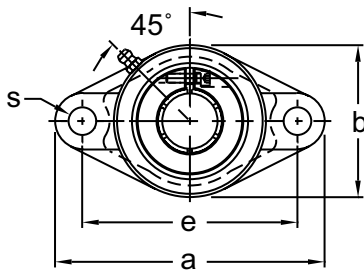


ACCU-LOC TWO BOLT FLANGE UNITS

UEFT 200

NORMAL DUTY

**Concentric Locking
52100 Bearing Steel
w/Black Oxide Finish
Cast Iron Housing
Insert detail-pg.120
Inch and Metric**



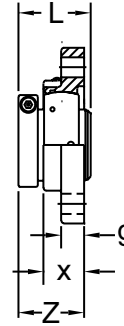
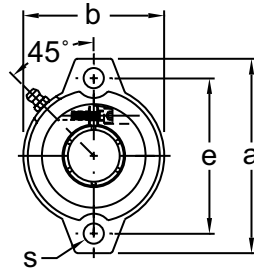
Shaft Diam. (in.)	AMI Unit #	List Price	Dimensions (in.)								Bolt Size (in.)	Bearing #	Housing #	Weight (lb.)
			a	e	g	x	s	b	Z	L				
3/4	UEFT204-12	73.00	4-13/32	3-17/32	7/16	31/32	13/32	2-3/8	1.362	1.299	3/8	UE204-12	FT204	1.17
7/8	UEFT205-14	76.10	4-7/8	3-57/64	17/32	1-1/16	1/2	2-3/4	1.456	1.394	7/16	UE205-14	FT205	1.61
15/16	UEFT205-15											UE205-15		
1	UEFT205-16											UE205-16		
1-1/8	UEFT206-18	99.80	5-9/16	4-19/32	17/32	1-3/16	1/2	3-1/4	1.644	1.567	7/16	UE206-18	FT206	2.34
1-3/16	UEFT206-19											UE206-19		
1-1/4	UEFT206-20											UE206-20		
1-1/4	UEFT207-20	130.10	6-1/8	5-1/8	9/16	1-11/32	35/64	3-3/4	1.789	1.728	1/2	UE207-20	FT207	3.41
1-3/8	UEFT207-22											UE207-22		
1-7/16	UEFT207-23											UE207-23		
1-1/2	UEFT208-24	135.90	6-3/4	5-21/32	9/16	1-1/2	35/64	4-1/8	2.056	1.976	1/2	UE208-24	FT208	4.30
1-11/16	UEFT209-27	153.40	7-1/16	5-27/32	9/16	1-9/16	5/8	4-3/8	2.087	1.976	9/16	UE209-27	FT209	4.80
1-3/4	UEFT209-28											UE209-28		
1-15/16	UEFT210-31	172.50	7-7/16	6-3/16	9/16	1-9/16	5/8	4-9/16	2.198	2.071	9/16	UE210-31	FT210	5.25
2	UEFT210-32											UE210-32		
2	UEFT211-32	200.70	8-1/2	7-1/4	13/16	1-3/4	21/32	5-1/4	2.354	2.228	5/8	UE211-32	FT211	7.91
2-3/16	UEFT211-35											UE211-35		
2-7/16	UEFL212-39	239.60	9-13/16	7-61/64	25/32	1-7/8	29/32	5-1/2	2.764	2.622	7/8	UE212-39	FL212	10.38
Dimensions (mm)														
20	UEFT204	73.00	112	89.7	11	25	10.5	60	34.6	33.0	M8	UE204	FT204	1.19
25	UEFT205	76.40	124	98.8	13	27	12.5	70	36.9	35.4	M10	UE205	FT205	1.63
30	UEFT206	101.30	141	116.7	13	30	12.5	83	41.7	39.8	M10	UE206	FT206	2.36
35	UEFT207	129.30	156	130.2	14	34	14	95	45.4	43.9	M12	UE207	FT207	3.45
40	UEFT208	137.40	171	143.7	14	38	14	105	52.2	50.2	M12	UE208	FT208	4.34
45	UEFT209	157.60	179	148.4	14	40	16	111	53.0	50.2	M14	UE209	FT209	4.85
50	UEFT210	176.50	189	157.2	14	40	16	116	55.8	52.6	M14	UE210	FT210	5.30
55	UEFT211	221.90	216	184.2	21	44	17	133	59.8	56.6	M16	UE211	FT211	8.00
60	UEFL212	248.00	250	202	20	48	23	140	70.2	66.6	M22	UE212	FL212	10.48

Lubrication fitting tap size for 1" and smaller shaft sizes, 1/4-28 UNF; for all other sizes, 1/8-27 NPT

INTERCHANGES: VF2B F2B-DL KFC2-45 SFT-T



NORMAL DUTY



Concentric Locking
52100 Bearing Steel
w/Black Oxide Finish
Cast Iron Housing
Insert detail-pg.120
Inch and Metric

Shaft Diam. (in.)	AMI Unit #	List Price	Dimensions (in.)								Bolt Size (in.)	Bearing #	Housing #	Weight (lb.)
			a	e	g	x	s	b	Z	L				
3/4	UELFL204-12	74.20	3-9/16	2-13/16	7/16	25/32	25/64	2-15/32	1.232	1.299	5/16	UE204-12	LFL4	0.92
7/8	UELFL205-14	76.60	3-3/4	3	7/16	25/32	25/64	2-23/32	1.264	1.394	5/16	UE205-14	LFL5	1.07
15/16	UELFL205-15											UE205-15		
1	UELFL205-16											UE205-16		
1-1/8	UELFL206-18	99.20	4-7/16	3-9/16	15/32	7/8	15/32	3-3/32	1.413	1.567	3/8	UE206-18	LFL6	1.58
1-3/16	UELFL206-19											UE206-19		
1-1/4	UELFL206-20											UE206-20		
1-1/4	UELFL207-20	129.90	4-13/16	3-15/16	1/2	15/16	15/32	3-1/2	1.551	1.728	3/8	UE207-20	LFL7	2.02
1-3/8	UELFL207-22											UE207-22		
1-7/16	UELFL207-23											UE207-23		
Dimensions (mm)														
20	UELFL204	74.20	90	71.5	11	20	10	63	31.3	33.0	M8	UE204	LFL4	0.92
25	UELFL205	76.60	95	76	11	20	10	69	32.1	35.4	M8	UE205	LFL5	1.07
30	UELFL206	99.20	113	90.5	12	22.5	12	79	35.9	39.8	M10	UE206	LFL6	1.58
35	UELFL207	129.90	122	100	13	24	12	89	39.4	43.9	M10	UE207	LFL7	2.02

Lubrication fitting tap size for 1" and smaller shaft sizes, 1/4-28 UNF; for all other sizes, 1/8-27 NPT

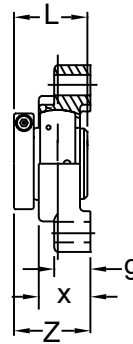
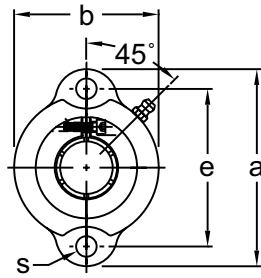


ACCU-LOC TWO-BOLT FLANGE UNITS

UETFT 200

NORMAL DUTY

Concentric Locking
52100 Bearing Steel
w/Black Oxide Finish
Cast Iron Housing
Insert detail-pg.120
Inch and Metric



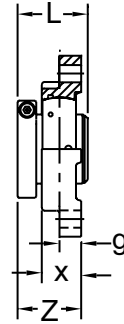
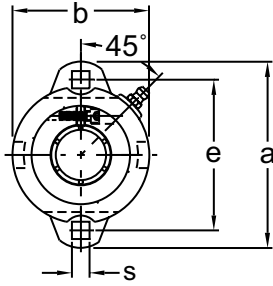
Shaft Diam. (in.)	AMI Unit #	List Price	Dimensions (in.)								Bolt Size (in.)	Bearing #	Housing #	Weight (lb.)
			a	e	g	x	s	b	Z	L				
7/8	UETFT205-14	129.90	3-3/4	3	11/16	63/64	25/64	2-3/4	1.456	1.394	3/8	UE205-14	TFT205	1.3
15/16	UETFT205-15											UE205-15		
1	UETFT205-16											UE205-16		
1-1/8	UETFT206-18	160.25	4-7/16	3-9/16	13/16	1-1/8	25/64	3-1/4	1.629	1.567	3/8	UE206-18	TFT206	2.3
1-3/16	UETFT206-19											UE206-19		
1-1/4	UETFT206-20											UE206-20		
1-1/4	UETFT207-20	183.10	4-7/8	3-15/16	7/8	1-7/32	25/64	3-11/16	1.789	1.728	3/8	UE207-20	TFT207	3.0
1-3/8	UETFT207-22											UE207-22		
1-7/16	UETFT207-23											UE207-23		
Dimensions (mm)														
25	UETFT205	129.90	95.3	76.2	17.5	25.0	10	70.0	37.0	35.4	M8	UE205	TFT205	1.3
30	UETFT206	160.25	112.7	90.5	20.6	28.6	10	82.6	41.4	39.8		UE206	TFT206	2.3
35	UETFT207	183.10	123.8	100	22.2	31.0	10	93.7	45.4	43.9		UE207	TFT207	3.0

Lubrication fitting tap size for 1" and smaller shaft sizes, 1/4-28 UNF; for all other sizes, 1/8-27 NPT

INTERCHANGES: TFT-T



NORMAL DUTY



Concentric Locking
52100 Bearing Steel
w/Black Oxide Finish
Malleable Cast Housing
Insert detail-pg.120
Inch and Metric

Shaft Diam. (in.)	AMI Unit #	List Price	Dimensions (in.)								Bolt Size (in.)	Bearing #	Housing #	Weight (lb.)
			a	e	g	x	s	b	Z	L				
3/4	UEFX204-12	74.20	3-9/16	2-13/16	27/64	25/32	11/32	2-15/32	1.232	1.299	5/16	UE204-12	FX204	0.92
7/8	UEFX205-14	76.60	3-3/4	3	27/64	25/32	11/32	2-1/2	1.264	1.394	5/16	UE205-14	FX205	1.07
15/16	UEFX205-15											UE205-15		
1	UEFX205-16											UE205-16		
1-1/8	UEFX206-18	99.20	4-7/16	3-9/16	15/32	29/32	13/32	3-3/32	1.413	1.567	3/8	UE206-18	FX206	1.58
1-3/16	UEFX206-19											UE206-19		
1-1/4	UEFX206-20											UE206-20		
1-1/4	UEFX207-20	129.90	4-13/16	3-15/16	1/2	15/16	13/32	3-1/2	1.551	1.728	3/8	UE207-20	FX207	2.02
1-3/8	UEFX207-22											UE207-22		
1-7/16	UEFX207-23											UE207-23		
Dimensions (mm)														
20	UEFX204	74.20	90	71	11	20	9	63	31.3	33.0	M8	UE204	FX204	0.92
25	UEFX205	76.60	95	76	11	20	9	63.5	32.1	35.4	M8	UE205	FX205	1.07
30	UEFX206	99.20	113	90	12	23	10.3	78.6	35.9	39.8	M10	UE206	FX206	1.58
35	UEFX207	129.90	122	100	13	24	10.3	89	39.4	43.9	M10	UE207	FX207	2.02

Lubrication fitting tap size for 1" and smaller shaft sizes, 1/4-28 UNF; for all other sizes, 1/8-27 NPT

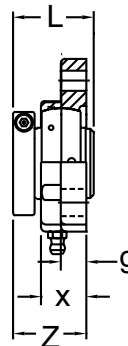
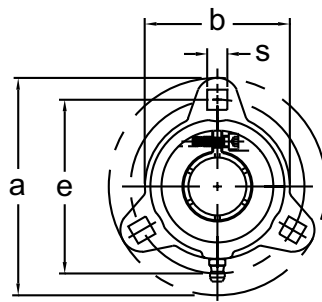
INTERCHANGES: LFT-DL



ACCU-LOC THREE-BOLT FLANGE UNITS

UETM 200

Concentric Locking
 52100 Bearing Steel
 w/Black Oxide Finish
 Malleable Cast Housing
 Insert detail-pg.120
 Inch and Metric



NORMAL DUTY

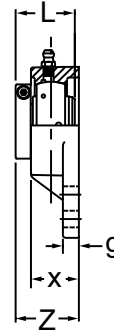
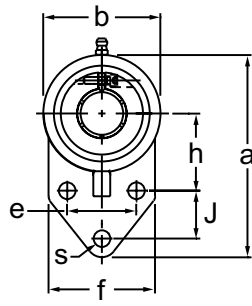
Shaft Diam. (in.)	AMI Unit #	List Price	Dimensions (in.)								Bolt Size (in.)	Bearing #	Housing #	Weight (lb.)
			a	e	g	x	s	b	Z	L				
3/4	UETM204-12	89.10	3-9/16	2-13/16	7/16	25/32	11/32	2-1/4	1.228	1.299	5/16	UE204-12	TM204	0.85
7/8	UETM205-14	90.65	3-3/4	3	7/16	25/32	11/32	2-1/2	1.264	1.394	5/16	UE205-14	TM205	0.97
15/16	UETM205-15											UE205-15		
1	UETM205-16											UE205-16		
1-1/8	UETM206-18	123.10	4-7/16	3-9/16	15/32	27/32	13/32	2-15/16	1.382	1.567	3/8	UE206-18	TM206	1.35
1-3/16	UETM206-19											UE206-19		
1-1/4	UETM206-20											UE206-20		
1-1/4	UETM207-20	149.50	4-13/16	3-15/16	1/2	29/32	13/32	3-3/8	1.496	1.728	3/8	UE207-20	TM207	1.85
1-3/8	UETM207-22											UE207-22		
1-7/16	UETM207-23											UE207-23		
Dimensions (mm)														
20	UETM204	89.10	90	71	11	20	9	57	31.2	33.0	M8	UE204	TM204	0.85
25	UETM205	90.65	95	76	11	20	9	63	32.1	35.4	M8	UE205	TM205	0.97
30	UETM206	123.10	113	90	12	21	10	74	35.1	39.8	M10	UE206	TM206	1.35
35	UETM207	149.50	122	100	12	23	10	85	38.0	43.9	M10	UE207	TM207	1.85

Lubrication fitting tap size for 1" and smaller shaft sizes, 1/4-28 UNF; for all other sizes, 1/8-27 NPT

INTERCHANGES: LF-DL



NORMAL DUTY



Concentric Locking
52100 Bearing Steel
w/Black Oxide Finish
Cast Iron Housing
Insert detail-pg.120
Inch and Metric

Shaft Diam. (in.)	AMI Unit #	List Price	Dimensions (in.)											Bolt Size (in.)	Bearing #	Housing #	Weight (lb.)	
			a	h	e	J	g	x	s	b	f	Z	L					
3/4	UEFB204-12	84.10	4-1/4	1-11/16	1-1/2	7/8	5/16	1	25/64	2-1/2	2-3/8	1.424	1.299	3/8	UE204-12	FB204	1.66	
7/8	UEFB205-14	93.10	4-3/4	1-13/16	1-5/8	1-1/8	1/2	1-1/8	25/64	2-3/4	2-1/2	1.487	1.394	3/8	UE205-14	FB205	2.20	
15/16	UEFB205-15														UE205-15			
1	UEFB205-16														UE205-16			
1-1/8	UEFB206-18	123.60	5-3/8	2-1/16	1-7/8	1-1/4	1/2	1-1/4	25/64	3-1/4	2-3/4	1.675	1.567	3/8	UE206-18	FB206	2.72	
1-3/16	UEFB206-19														UE206-19			
1-1/4	UEFB206-20														UE206-20			
1-1/4	UEFB207-20	155.20	6-1/8	2-3/8	2	1-1/4	1/2	1-7/16	33/64	3-3/4	3-1/4	1.867	1.728	1/2	UE207-20	FB207	3.23	
1-3/8	UEFB207-22														UE207-22			
1-7/16	UEFB207-23														UE207-23			
1-1/2	UEFB208-24	159.50	6-15/32	2-3/8	1-31/32	1-5/8	5/8	1-13/32	15/32	3-15/16	3-1/16	2.056	1.976	7/16	UE208-24	FB208	3.83	
1-11/16	UEFB209-27	177.40	6-27/32	2-9/16	2-1/8	1-11/16	23/32	1-1/2	15/32	4-3/16	3-5/32	2.087	1.976	7/16	UE209-27	FB209	5.29	
1-3/4	UEFB209-28														UE209-28			
1-15/16	UEFB210-31	200.90	7-1/2	2-15/16	2-3/4	1-5/8	1/2	1-1/2	33/64	4-5/8	4	2.182	2.071	1/2	UE210-31	FB210	6.02	
2	UEFB210-32														UE210-32			
Dimensions (mm)																		
20	UEFK204	85.40	110	42	32	27	13	25.5	10	62	52	35.3	33.0		UE204	FK204	1.39	
25	UEFK205	95.30	116	45	34	27	13	27	10	68	56	37.1	35.4	M8	UE205	FK205	1.67	
30	UEFK206	127.80	130	50	40	29	13	31	10	78	65	41.9	39.8		UE206	FK206	2.29	
35	UEFK207	157.20	144	55	46	32	15	34	10	90	70	45.4	43.9	M8	UE207	FK207	3.23	
40	UEFK208	163.60	164	60	50	41	16	36	12	100	78	52.2	50.2	M10	UE208	FK208	4.12	
45	UEFK209	184.30	174	65	54	43	18	38	12	106	80	53.2	50.2	M10	UE209	FK209	4.63	
50	UEFK210	208.00	184	68	58	46	18	40	12	112	86	55.6	52.6	M10	UE210	FK210	5.53	

Lubrication fitting tap size for 1" and smaller shaft sizes, 1/4-28 UNF; for all other sizes, 1/8-27 NPT

INTERCHANGES: VFBB FB-DL KMFB-45 FB-T

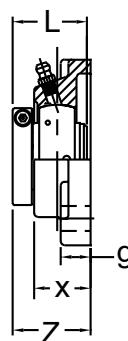
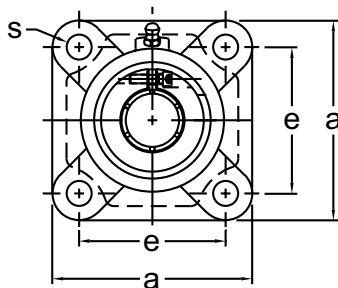


ACCU-LOC FOUR-BOLT FLANGE UNITS

UEF 200

NORMAL DUTY

**Concentric Locking
52100 Bearing Steel
w/Black Oxide Finish
Cast Iron Housing
Insert detail-pg.120
Inch and Metric**



Shaft Diam. (in.)	AMI Unit #	List Price	Dimensions (in.)							Bolt Size (in.)	Bearing #	Housing #	Weight (lb.)
			a	e	g	x	s	Z	L				
3/4	UEF204-12	73.00	3-3/8	2-1/2	15/32	1	7/16	1.390	1.299	3/8	UE204-12	F204	1.46
7/8	UEF205-14	76.10	3-3/4	2-3/4	9/16	1-1/16	15/32	1.461	1.394	7/16	UE205-14	F205	2.01
15/16	UEF205-15										UE205-15		
1	UEF205-16										UE205-16		
1-1/8	UEF206-18	99.80	4-1/4	3-1/4	9/16	1-7/32	15/32	1.650	1.567	7/16	UE206-18	F206	2.64
1-3/16	UEF206-19										UE206-19		
1-1/4	UEF206-20										UE206-20		
1-1/4	UEF207-20	130.10	4-5/8	3-5/8	5/8	1-11/32	17/32	1.787	1.728	1/2	UE207-20	F207	3.64
1-3/8	UEF207-22										UE207-22		
1-7/16	UEF207-23										UE207-23		
1-1/2	UEF208-24										UE208-24		
1-11/16	UEF209-27	153.40	5-3/8	4-1/8	23/32	1-1/2	19/32	2.055	1.976	1/2	UE209-27	F209	5.68
1-3/4	UEF209-28										UE209-28		
1-15/16	UEF210-31	172.50	5-5/8	4-3/8	23/32	1-9/16	19/32	2.094	1.976	9/16	UE210-31	F210	6.13
2	UEF210-32										UE210-32		
2	UEF211-32	200.70	6-3/8	5-1/8	25/32	1-11/16	21/32	2.189	2.071	9/16	UE211-32	F211	8.35
2-3/16	UEF211-35										UE211-35		
2-7/16	UEF212-39	239.60	6-7/8	5-5/8	25/32	1-7/8	21/32	2.764	2.622	5/8	UE212-39	F212	11.48
Dimensions (mm)													
20	UEF204	73.00	86	64	12	25.4	11	35.3	33.0	M10	UE204	F204	1.48
25	UEF205	76.40	95	70	14	27	12	37.1	35.4		UE205	F205	2.03
30	UEF206	101.30	108	83	14	31	12	41.9	39.8		UE206	F206	2.67
35	UEF207	129.30	117	92	16	34	13.5	45.4	43.9	M12	UE207	F207	3.68
40	UEF208	137.40	130	102	16	36	13.5	52.2	50.2	M12	UE208	F208	4.79
45	UEF209	157.60	137	105	18	38	15	53.2	50.2	M14	UE209	F209	5.74
50	UEF210	176.50	143	111	18	40	15	55.6	52.6	M14	UE210	F210	6.20
55	UEF211	221.90	162	130	20	43	17	59.4	56.6	M16	UE211	F211	8.44
60	UEF212	248.00	175	143	20	48	17	70.2	66.6	M16	UE212	F212	11.64

Lubrication fitting tap size for 1" and smaller shaft sizes, 1/4-28 UNF; for all other sizes, 1/8-27 NPT

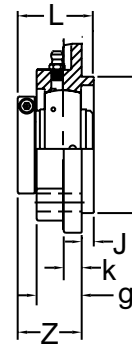
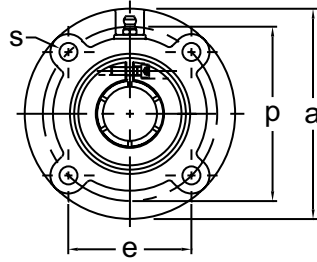
INTERCHANGES: VF4B | F4B-DL | KFC4-45 | SF-T



NORMAL DUTY



SealMaster® Style



Concentric Locking
52100 Bearing Steel
w/Black Oxide Finish
Cast Iron Housing
Insert detail-pg.120
Inch and Metric

Shaft Diam. (in.)	AMI Unit #	List Price	Dimensions (in.)										Bolt Size (in.)	Bearing #	Housing #	Weight (lb.)
			a	p	e	s	J	k	g	f	Z	L				
1-1/8	UEFCS206-18	111.80	4-3/8	3-5/8	2.559	3/8	1/4	23/64	15/16	3.000	1.335	1.567	5/16	UE206-18	FCSX05	2.44
1-3/16	UEFCS206-19													UE206-19		
1-1/4	UEFCS206-20													UE206-20		
1-1/4	UEFCS207-20	145.90	5	4-1/8	2.921	15/32	3/8	25/64	7/8	3.375	1.354	1.728	3/8	UE207-20	FCSX06	3.34
1-3/8	UEFCS207-22													UE207-22		
1-7/16	UEFCS207-23													UE207-23		
1-1/2	UEFCS208-24	160.20	5-1/4	4-3/8	3.091	15/32	7/16	7/16	1-1/32	3.625	1.582	1.976	7/16	UE208-24	FCSX07	3.93
1-11/16	UEFCS209-27	191.30	6-1/8	5-1/8	3.625	17/32	15/32	29/64	7/8	4.250	1.447	1.976	1/2	UE209-27	FCF209	4.15
1-3/4	UEFCS209-28													UE209-28		
1-15/16	UEFCS210-31	202.90	6-1/8	5-1/8	3.618	35/64	15/32	7/16	1	4.250	1.638	2.071	1/2	UE210-31	FCSX09	5.53
2	UEFCS210-32													UE210-32		
2	UEFCS211-32	240.70	6-3/8	5-3/8	3.800	35/64	5/8	7/16	1	4.500	1.630	2.228	1/2	UE211-32	FCSX10	6.38
2-3/16	UEFCS211-35													UE211-35		
2-7/16	UEFCS212-39	293.30	7-1/8	6	4.232	5/8	7/8	1/2	1-1/32	5.000	1.779	2.622	1/2	UE212-39	FCSX11	8.85
Dimensions (mm)																
30	UEFCS206	114.60	111	92	65	9.5	6.4	9	24	76.2	33.9	39.8	M8	UE206	FCSX05	2.44
35	UEFCS207	146.90	127	105	74.2	12	9.5	10	22	85.7	34.4	43.9	M10	UE207	FCSX06	3.34
40	UEFCS208	164.40	133	111	78.5	12	11	11	26	92.1	40.2	50.2	M10	UE208	FCSX07	3.93
45	UEFCS209	199.70	155	130	92.1	13.5	12	12	22	108.0	36.8	50.2	M12	UE209	FCF209	4.15
50	UEFCS210	210.30	155	130	91.9	14	12	11	25	108.0	41.6	52.6		UE210	FCSX09	5.53
55	UEFCS211	266.40	162	136.5	96.5	14	15.9	11	25	114.3	41.4	56.6	M12	UE211	FCSX10	6.38
60	UEFCS212	307.60	181	152	107.5	16	22.2	13	26	127.0	45.2	66.6	M14	UE212	FCSX11	8.85

Lubrication fitting tap size 1/8-27 NPT

INTERCHANGES: VFCB FC-DL KPFC4-45 SFC-T

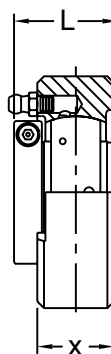
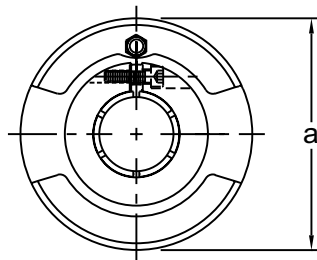


ACCU-LOC CARTRIDGE UNITS

UELC / UEC 200

NORMAL DUTY

**Concentric Locking
52100 Bearing Steel
w/Black Oxide Finish
Cast Iron Housing
Insert detail-pg.120
Inch and Metric**



Shaft Diam. (in.)	AMI Unit #	List Price	Dimensions (in.)			Bearing #	Housing #	Weight (lb.)
			a	x	L			
3/4	UELC204-12	93.50	2-15/16	7/8	1.299	UE204-12	LC204	1.44
7/8	UELC205-14	97.30	3-1/8	1-1/32	1.394	UE205-14	LC205	1.81
15/16	UELC205-15					UE205-15		
1	UELC205-16					UE205-16		
1-1/8	UELC206-18	130.70	3-1/2	1-3/32	1.567	UE206-18	LC206	2.31
1-3/16	UELC206-19					UE206-19		
1-1/4	UELC206-20					UE206-20		
1-1/4	UELC207-20	165.40	3-7/8	1-7/32	1.728	UE207-20	LC207	2.97
1-3/8	UELC207-22					UE207-22		
1-7/16	UELC207-23					UE207-23		
1-1/2	UELC208-24	168.00	4-3/16	1-15/32	1.976	UE208-24	LC208	4.07
1-11/16	UELC209-27	184.70	4-3/8	1-7/16	1.976	UE209-27	LC209	4.13
1-3/4	UELC209-28					UE209-28		
1-15/16	UELC210-31	221.30	4-9/16	1-15/32	2.071	UE210-31	LC210	4.80
2	UELC210-32					UE210-32		
2	UELC211-32	266.70	4-15/16	1-19/32	2.228	UE211-32	LC211	6.14
2-3/16	UELC211-35					UE211-35		
2-7/16	UELC212-39	338.00	5-7/8	1-5/8	2.622	UE212-39	LC212	9.70
Dimensions (mm)								
20	UEC204	95.80	72	20	33.0	UE204	C204	1.25
25	UEC205	100.00	80	22	35.4	UE205	C205	1.65
30	UEC206	135.60	85	27	39.8	UE206	C206	2.05
35	UEC207	168.60	90	28	43.9	UE207	C207	2.40
40	UEC208	173.00	100	30	50.2	UE208	C208	3.01
45	UEC209	192.30	110	31	50.2	UE209	C209	3.74
50	UEC210	230.70	120	33	52.6	UE210	C210	4.86
55	UEC211	295.30	125	35	56.6	UE211	C211	5.54
60	UEC212	357.30	130	38	66.6	UE212	C212	6.92

Recommended housing bore:

Rotating Shaft: nominal +0.001" ~ +0.003" (+0.025 mm ~ +0.076 mm).

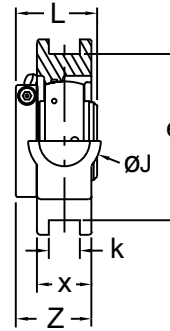
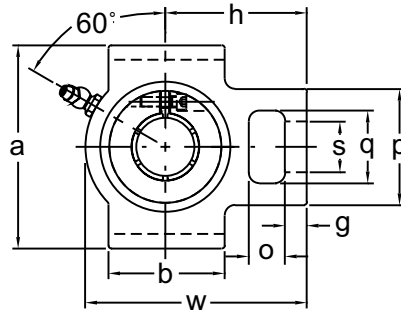
Stationary Shaft: nominal +0.000" ~ -0.002" (+0.000 mm ~ -0.050 mm)

Lubrication fitting tap size 1/4-28 UNF

INTERCHANGES: SC-T



NORMAL DUTY



Concentric Locking
52100 Bearing Steel
w/Black Oxide Finish
Cast Iron Housing
Insert detail-pg.120
Inch and Metric

Shaft Diam. (in.)	AMI Unit #	List Price	Dimensions (in.)															Bearing #	Housing #	Weight (lb.)
			o	g	p	q	s	b	k	e	a	w	J	x	h	Z	L			
3/4	UEST204-12	77.90	5/8	3/8	2	1-1/4	3/4	2	17/32	3	3-1/2	3-11/16	1-1/4	15/16	2-3/8	1.268	1.299	UE204-12	ST204	2.01
7/8	UEST205-14	85.90	5/8	3/8	2	1-1/4	7/8	2	17/32	3	3-1/2	3-13/16	1-1/4	15/16	2-7/16	1.300	1.394	UE205-14	ST205	1.96
15/16	UEST205-15																	UE205-15	ST205	
1	UEST205-16																	UE205-16	ST205	
1-1/8	UEST206-18	112.00	5/8	3/8	2-3/16	1-7/16	7/8	2-1/4	17/32	3-1/2	4	4-7/16	1-7/16	15/16	2-3/4	1.410	1.567	UE206-18	ST206	2.64
1-3/16	UEST206-19																	UE206-19	ST206	
1-1/4	UEST206-20																	UE206-20	ST206	
1-1/4	UEST207-20	148.60	5/8	1/2	2-1/2	1-7/16	7/8	2-1/2	17/32	3-1/2	4	5-1/16	1-7/16	1-3/16	3-1/16	1.633	1.728	UE207-20	ST207	3.86
1-3/8	UEST207-22																	UE207-22	ST207	
1-7/16	UEST207-23																	UE207-23	ST207	
1-1/2	UEST208-24	156.50	3/4	5/8	3-1/4	1-15/16	1-1/8	3-1/4	11/16	4	4-1/2	5-11/16	1-15/16	1-3/8	3-1/2	1.916	1.976	UE208-24	ST208	5.84
1-11/16	UEST209-27	179.80	3/4	5/8	3-1/4	1-15/16	1-1/8	3-1/4	11/16	4	4-5/8	5-11/16	1-15/16	1-3/8	3-7/16	1.916	1.976	UE209-27	ST209	5.68
1-3/4	UEST209-28																	UE209-28	ST209	
1-15/16	UEST210-31	191.70	3/4	5/8	3-1/4	1-15/16	1-1/8	3-3/8	11/16	4	4-5/8	5-7/8	1-15/16	1-3/8	3-9/16	2.011	2.071	UE210-31	ST210	5.91
2	UEST210-32																	UE210-32	ST210	
2	UEST211-32	221.90	1	3/4	4	2-1/2	1-3/8	3-3/4	1-1/16	5-1/8	5-3/4	6-3/4	2-1/2	1-5/8	4-3/16	2.167	2.228	UE211-32	ST211	9.90
2-3/16	UEST211-35																	UE211-35	ST211	
2-7/16	UEST212-39	263.80	1-1/4	3/4	4	2-1/2	1-3/8	4	1-1/16	5-1/8	5-3/4	7-5/8	2-1/2	1-13/16	4-11/16	2.528	2.622	UE212-39	ST212	12.35
Dimensions (mm)																				
20	UET204	78.50	16	10	51	32	19	51	12	76	89	94	32	21	61	30.8	33.0	UE204	T204	1.81
25	UET205	87.30	16	10	51	32	19	51	12	76	89	97	32	24	62	33.1	35.4	UE205	T205	2.03
30	UET206	114.80	16	10	56	37	22	57	12	89	102	113	37	28	70	37.9	39.8	UE206	T206	3.12
35	UET207	149.90	16	13	64	37	22	64	12	89	102	129	37	30	78	41.4	43.9	UE207	T207	3.90
40	UET208	160.20	19	16	83	49	29	83	16	102	114	144	49	33	88	47.7	50.2	UE208	T208	5.68
45	UET209	186.90	19	16	83	49	29	83	16	102	117	144	49	35	87	48.7	50.2	UE209	T209	5.74
50	UET210	197.80	19	16	83	49	29	86	16	102	117	149	49	37	90	52.1	52.6	UE210	T210	6.20
55	UET211	245.50	25	19	102	64	35	95	22	130	146	171	64	38	106	53.4	56.6	UE211	T211	9.78
60	UET212	274.90	32	19	102	64	35	102	22	130	146	194	64	42	119	62.2	66.6	UE212	T212	12.38

Lubrication fitting tap size for 1" and smaller shaft sizes, 1/4-28 UNF; for all other sizes, 1/8-27 NPT

INTERCHANGES: WSTU-DL KTC-45 ST-T

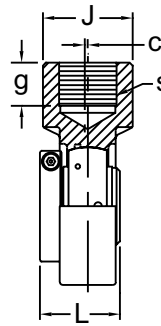
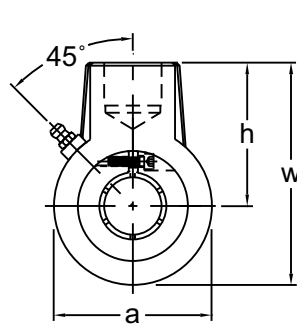


ACCU-LOC HANGER BEARING UNITS

UEECH 200

NORMAL DUTY

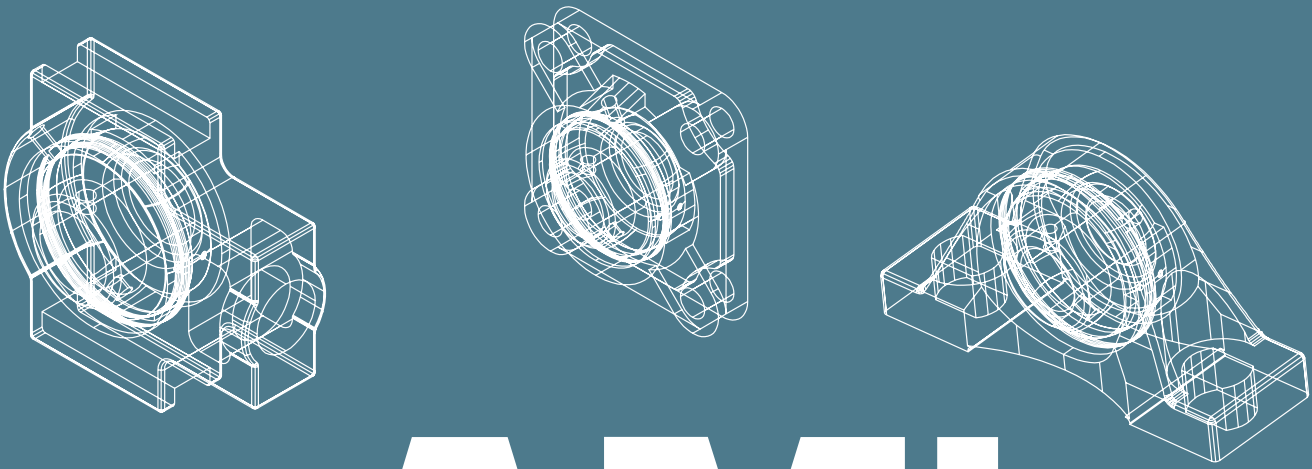
Concentric Locking
 52100 Bearing Steel
 w/Black Oxide Finish
 Cast Iron Housing
 N.P.S.M. Straight Pipe Thread
 Insert detail-pg.120
 Inch and Metric



Shaft Diam. (in.)	AMI Unit #	List Price	Dimensions (in.)								Bearing #	Housing #	Weight (lb.)
			a	w	h	J	s (N.P.S.M.)	g	L	c			
3/4	UEECH204-12	94.70	2-3/4	3-7/8	2-1/2	1-9/16	PF3/4	3/4	1.299	0	UE204-12	ECH204	2.03
7/8	UEECH205-14	98.00	2-3/4	3-7/8	2-1/2	1-9/16	PF3/4	3/4	1.394	0	UE205-14	ECH205	1.83
15/16	UEECH205-15										UE205-15		
1	UEECH205-16										UE205-16		
1-1/8	UEECH206-18	127.90	3-1/8	4-1/8	2-1/2	1-9/16	PF3/4	3/4	1.567	0	UE206-18	ECH206	2.23
1-3/16	UEECH206-19										UE206-19		
1-1/4	UEECH206-20										UE206-20		
1-1/4	UEECH207-20	157.00	3-5/8	4-9/16	2-3/4	1-9/16	PF3/4	3/4	1.728	0	UE207-20	ECH207	2.97
1-3/8	UEECH207-22										UE207-22		
1-7/16	UEECH207-23										UE207-23		
1-1/2	UEECH208-24	159.30	3-3/4	4-3/4	2-7/8	1-9/16	PF3/4	3/4	1.976	0.079	UE208-24	ECH208	3.42
1-11/16	UEECH209-27	184.10	4-1/4	5-3/8	3-1/4	1-7/8	PF1	13/16	1.976	0.157	UE209-27	ECH209	4.36
1-3/4	UEECH209-28										UE209-28		
1-15/16	UEECH210-31	227.00	4-1/2	5-1/2	3-1/4	1-7/8	PF1	13/16	2.071	0.197	UE210-31	ECH210	4.81
2	UEECH210-32										UE210-32		
2	UEECH211-32	321.80	5-5/8	6-13/16	4	2-23/64	PF 1-1/4	1-1/8	2.228	0.343	UE211-32	ECH211	9.61
2-3/16	UEECH211-35										UE211-35		
2-7/16	UEECH212-39	364.40	5-5/8	6-13/16	4	2-23/64	PF 1-1/4	1-1/8	2.622	0.343	UE212-39	ECH212	13.14
Dimensions (mm)													
20	UEECH204	97.10	70	99	64	40	PF3/4	19	33.0	0	UE204	ECH204	2.03
25	UEECH205	100.70	70	99	64	40	PF3/4	19	35.4	0	UE205	ECH205	1.85
30	UEECH206	132.50	80	104	64	40	PF3/4	19	39.8	0	UE206	ECH206	2.25
35	UEECH207	159.20	92	116	70	40	PF3/4	19	43.9	0	UE207	ECH207	3.01
40	UEECH208	163.40	96	121	73	40	PF3/4	19	50.2	2.0	UE208	ECH208	3.45
45	UEECH209	191.70	108	136	82	48	PF1	21	50.2	4.0	UE209	ECH209	4.40
50	UEECH210	237.00	114	140	83	48	PF1	21	52.6	5.0	UE210	ECH210	4.86
55	UEECH211	356.50	143	173	101.6	60	PF 1-1/4	28.5	56.6	8.7	UE211	ECH211	9.61
60	UEECH212	386.60	143	173	101.6	60	PF1-1/4	28.5	66.6	8.7	UE212	ECH212	13.14

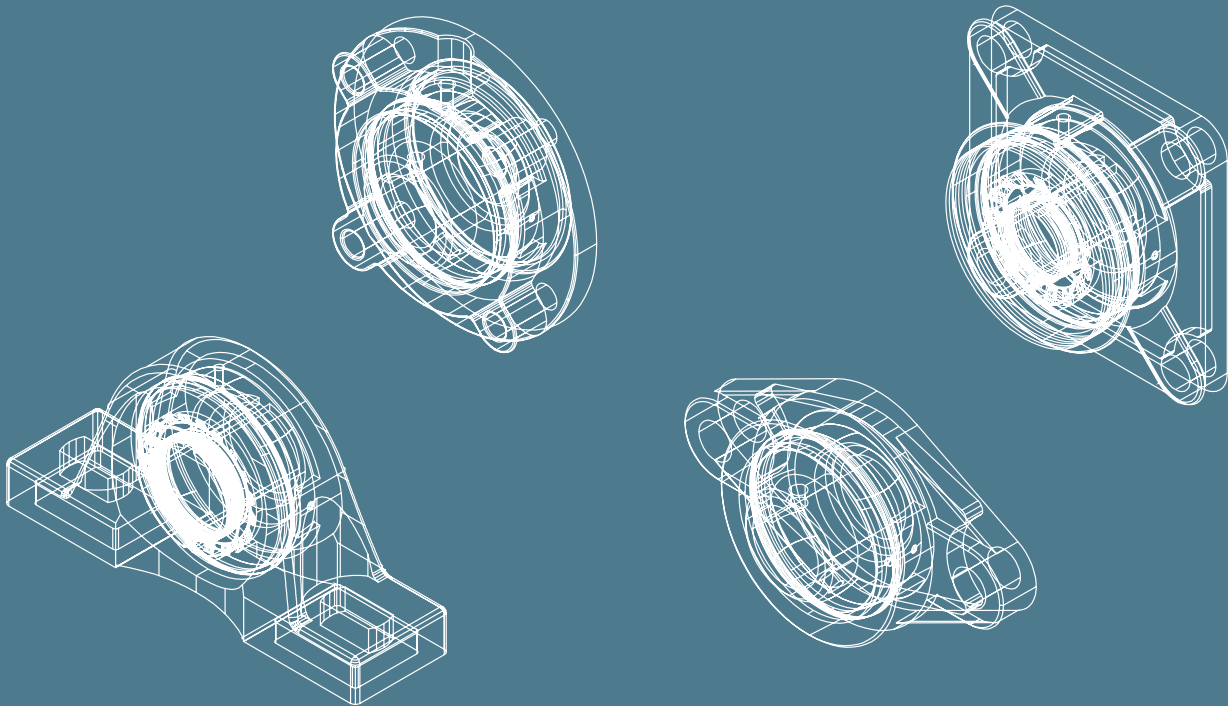
Lubrication fitting tap size for 1" and smaller shaft sizes, 1/4-28 UNF; for all other sizes, 1/8-27 NPT

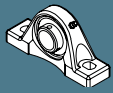
INTERCHANGES: SCHB-DL



AMI

Medium Duty

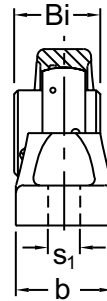
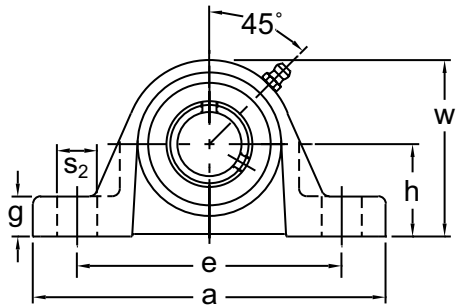




PILLOW BLOCKS

UCP X00

**Set-Screw Locking
Wide Inner Ring
Cast Iron Housing
Insert detail-pg.122
Inch and Metric**

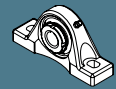


MEDIUM DUTY

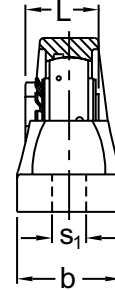
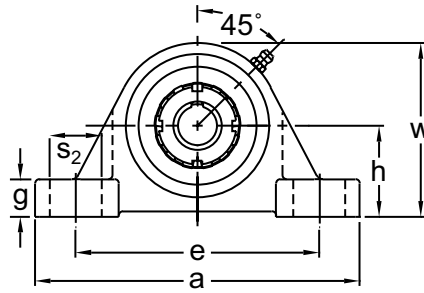
Shaft Diam. (in.)	AMI Unit #	List Price	Dimensions (in.)										Bolt Size (in.)	Bearing #	Housing #	Weight (lb.)
			h	a	e		b	s ₁	s ₂	g	w	Bi				
					Min.	Max.										
1	UCPX05-16	87.00	1-3/4	6-1/4	4-3/16	5-3/16	2	21/32	1	23/32	3-7/16	1.500	1/2	UCX05-16	PX05	3.31
1-1/8	UCPX06-18	101.70	1-7/8	6-7/8	4-1/2	5-1/2	2-1/4	21/32	1	25/32	3-13/16	1.689	1/2	UCX06-18	PX06	4.19
1-3/16	UCPX06-19													UCX06-19		
1-1/4	UCPX06-20													UCX06-20		
1-1/4	UCPX07-20	127.00	2-1/8	8	5	6-3/8	2-1/4	21/32	1-3/16	7/8	4-1/4	1.937	1/2	UCX07-20	PX07	5.95
1-3/8	UCPX07-22													UCX07-22		
1-7/16	UCPX07-23													UCX07-23		
1-1/2	UCPX08-24	152.00	2-5/16	8-3/4	5-1/2	6-3/4	2-5/8	25/32	1-1/4	1-1/32	4-17/32	1.937	5/8	UCX08-24	PX08	7.71
1-5/8	UCPX09-26	164.10	2-5/16	8-3/4	5-7/16	6-13/16	2-5/8	25/32	1-5/16	1-1/32	4-39/64	2.031	5/8	UCX09-26	PX09	7.71
1-11/16	UCPX09-27													UCX09-27		
1-3/4	UCPX09-28													UCX09-28		
1-7/8	UCPX10-30	197.00	2-1/2	9-9/16	5-15/16	7-9/16	2-7/8	25/32	1-7/16	1-1/8	4-31/32	2.189	5/8	UCX10-30	PX10	9.26
1-15/16	UCPX10-31													UCX10-31		
2	UCPX10-32													UCX10-32		
2	UCPX11-32	263.00	2-3/4	10-1/4	6-9/16	7-15/16	3-1/8	1	1-7/16	1-3/16	5-9/16	2.563	3/4	UCX11-32	PX11	13.00
2-3/16	UCPX11-35													UCX11-35		
2-1/4	UCPX11-36													UCX11-36		
2-3/8	UCPX12-38	315.10	3	11-1/4	7-1/8	8-7/8	3-1/4	1	1-5/8	1-5/16	6-7/64	2.563	3/4	UCX12-38	PX12	15.87
2-7/16	UCPX12-39													UCX12-39		
2-1/2	UCPX13-40													UCX13-40		
2-11/16	UCPX14-43	426.60	3-1/2	13	7-7/8	10-1/8	3-1/2	1-1/16	2	1-5/16	6-57/64	3.063	7/8	UCX14-43	PX14	24.46
2-3/4	UCPX14-44													UCX14-44		
2-15/16	UCPX15-47													484.80		
3	UCPX15-48	UCX15-48														
3-3/16	UCPX16-51	655.70	4	15	9-11/16	12-9/16	4	1-1/16	2-5/16	1-21/32	8	3.374	7/8		UCX16-51	PX16
3-1/4	UCPX17-52	702.00	4	15	9-11/16	12-9/16	4-3/8	1-1/16	2-5/16	1-21/32	8-7/32	3.780	7/8	UCX17-52	PX17	37.69
3-7/16	UCPX17-55													UCX17-55		
3-1/2	UCPX18-56													914.00		
3-15/16	UCPX20-63	1240.00	5	17	11-3/4	14-3/4	4-3/4	1-5/16	2-1/2	2-1/16	10	4.626	1	UCX20-63	PX20	72.73
4	UCPX20-64													UCX20-64		
Dimensions (mm)																
25	UCPX05	87.00	44.4	159	106	132	51	17	25	18	87	38.1	M14	UCX05	PX05	3.31
30	UCPX06	101.70	47.6	175	114	140	57	17	25	20	97	42.9		UCX06	PX06	4.19
35	UCPX07	127.00	54	203	127	162	57	17	30	22	108	49.2		UCX07	PX07	5.95
40	UCPX08	152.00	58.7	222	140	172	66	20	32	26	115	49.2	M16	UCX08	PX08	7.71
45	UCPX09	164.10	58.7	222	138	173	66	20	33	26	117	51.6		UCX09	PX09	7.71
50	UCPX10	197.00	63.5	243	151	192	74	20	36	29	126	55.6		UCX10	PX10	9.26
55	UCPX11	263.00	69.8	260	167	202	79	25	36	30	141	65.1	M20	UCX11	PX11	13.00
60	UCPX12	315.10	76.2	286	181	225	82	25	41	33	155	65.1		UCX12	PX12	15.87
65	UCPX13	360.20	76.2	286	181	225	82	21	41	33	155	74.6		UCX13	PX13	16.31
70	UCPX14	426.60	88.9	330	200	257	89	27	51	33	175	77.8	M22	UCX14	PX14	24.46
75	UCPX15	484.80	88.9	330	200	257	89	27	51	33	177	82.6		UCX15	PX15	25.13
80	UCPX16	655.70	101.6	381	246	319	102	27	59	42	203	85.7		UCX16	PX16	38.35
85	UCPX17	702.00	101.6	381	246	319	111	27	59	42	209	96	M22	UCX17	PX17	37.69
90	UCPX18	914.00	101.6	381	245	321	111	27	60	45	206	104	M22	UCX18	PX18	37.47
100	UCPX20	1240.00	127	432	299	375	121	33	64	52	254	117.5	M27	UCX20	PX20	72.73

Lubrication fitting tap size 1/8-27 NPT

INTERCHANGES: VPS-3 P2B-SCM YASM C-35 SYM-TF UCPX MP



Tapered Adapter Sleeve
Wide Inner Ring
Cast Iron Housing
Insert detail-pg.123
Inch and Metric



MEDIUM DUTY

Shaft Diam. (in.)	AMI Unit #	List Price	Dimensions (in.)										Bolt Size (in.)	Bearing #	Housing #	Weight (lb.)			
			h	a	e		b	s ₁	s ₂	g	w	L							
					Min.	Max.													
3/4	UKPX05+HE2305	119.40	1-3/4	6-1/4	4-3/16	5-3/16	2	21/32	1	23/32	3-7/16	1.378	1/2	UKX05+HE2305	PX05	3.35			
13/16	UKPX05+HA2305																		UKX05+HA2305
7/8	UKPX06+HS2306	136.80	1-7/8	6-7/8	4-1/2	5-1/2	2-1/4	21/32	1	25/32	3-13/16	1.496	1/2	UKX06+HS2306	PX06	4.46			
15/16	UKPX06+HA2306																		UKX06+HA2306
1	UKPX06+HE2306													UKX06+HE2306					
1-1/8	UKPX07+HS2307	164.10	2-1/8	8	5	6-3/8	2-1/4	21/32	1-3/16	7/8	4-1/4	1.693	1/2	UKX07+HS2307	PX07	6.02			
1-3/16	UKPX07+HA2307																		UKX07+HA2307
1-1/4	UKPX08+HE2308	192.05	2-5/16	8-3/4	5-1/2	6-3/4	2-5/8	25/32	1-1/4	1-1/32	4-17/32	1.811	5/8	UKX08+HE2308	PX08	7.81			
1-5/16	UKPX08+HA2308																		UKX08+HA2308
1-3/8	UKPX08+HS2308																		UKX08+HS2308
1-7/16	UKPX09+HA2309	211.30	2-5/16	8-3/4	5-7/16	6-13/16	2-5/8	25/32	1-5/16	1-1/32	4-39/64	1.969	5/8	UKX09+HA2309	PX09	7.81			
1-1/2	UKPX09+HE2309																		UKX09+HE2309
1-5/8	UKPX09+HS2309																		UKX09+HS2309
1-11/16	UKPX10+HA2310	250.90	2-1/2	9-9/16	5-15/16	7-9/16	2-7/8	25/32	1-7/16	1-1/8	4-31/32	2.165	5/8	UKX10+HA2310	PX10	9.59			
1-3/4	UKPX10+HE2310																		UKX10+HE2310
1-7/8	UKPX11+HS2311	323.65	2-3/4	10-1/4	6-9/16	7-15/16	3-1/8	1	1-7/16	1-3/16	5-9/16	2.323	3/4	UKX11+HS2311	PX11	13			
1-15/16	UKPX11+HA2311																		UKX11+HA2311
2	UKPX11+HE2311																		UKX11+HE2311
2-1/16	UKPX12+HA2312	382.50	3	11-1/4	7-1/8	8-7/8	3-1/4	1	1-5/8	1-5/16	6-7/64	2.441	3/4	UKX12+HA2312	PX12	15.9			
2-1/8	UKPX12+HS2312																		UKX12+HS2312
2-3/16	UKPX13+HA2313	441.05	3	11-1/4	7-1/8	8-7/8	3-1/4	13/16	1-5/8	1-5/16	6-7/64	2.559	3/4	UKX13+HA2313	PX13	16.1			
2-1/4	UKPX13+HE2313																		UKX13+HE2313
2-3/8	UKPX13+HS2313																		UKX13+HS2313
2-7/16	UKPX15+HA2315	606.10	3-1/2	13	7-7/8	10-1/8	3-1/2	1-1/16	2	1-5/16	6-31/32	2.874	7/8	UKX15+HA2315	PX15	25.7			
2-1/2	UKPX15+HE2315																		UKX15+HE2315
2-3/4	UKPX16+HE2316	790.45	4	15	9-11/16	12-9/16	4	1-1/16	2-5/16	1-21/32	8	3.071	7/8	UKX16+HE2316	PX16	38.8			
2-15/16	UKPX17+HA2317	850.25	4	15	9-11/16	12-9/16	4-3/8	1-1/16	2-5/16	1-21/32	8-7/32	3.228	7/8	UKX17+HA2317	PX17	38			
3	UKPX17+HE2317																		UKX17+HE2317
3-1/8	UKPX18+HS2318	1102.65	4	15	9-5/8	12-5/8	4-3/8	1-1/16	2-3/8	1-25/32	8-1/8	3.836	7/8	UKX18+HS2318	PX18	37.3			
3-7/16	UKPX20+HA2320	1473.05	5	17	11-3/4	14-3/4	4-3/4	1-5/16	2-1/2	2-1/16	10	3.819	1	UKX20+HA2320	PX20	72.6			
3-1/2	UKPX20+HE2320																		UKX20+HE2320
Dimensions (mm)																			
20	UKPX05+H2305	119.40	44.4	159	106	132	51	17	25	18	87	35		UKX05+H2305	PX05	3.35			
25	UKPX06+H2306	136.80	47.6	175	114	140	57	17	25	20	97	38	M14	UKX06+H2306	PX06	4.46			
30	UKPX07+H2307	164.10	54	203	127	162	57	17	30	22	108	43		UKX07+H2307	PX07	6.02			
35	UKPX08+H2308	192.45	58.7	222	140	172	66	20	32	26	115	46		UKX08+H2308	PX08	7.81			
40	UKPX09+H2309	211.30	58.7	222	138	173	66	20	33	26	117	50	M16	UKX09+H2309	PX09	7.81			
45	UKPX10+H2310	250.90	63.5	243	151	192	74	20	36	29	126	55		UKX10+H2310	PX10	9.59			
50	UKPX11+H2311	323.65	69.8	260	167	202	79	25	36	30	141	59		UKX11+H2311	PX11	13.0			
55	UKPX12+H2312	382.50	76.2	286	181	225	82	25	41	33	155	62	M20	UKX12+H2312	PX12	15.9			
60	UKPX13+H2313	441.05	76.2	286	181	225	82	21	41	33	155	65		UKX13+H2313	PX13	16.1			
65	UKPX15+H2315	606.10	88.9	330	200	257	89	27	51	33	177	73		UKX15+H2315	PX15	25.7			
70	UKPX16+H2316	790.45	101.6	381	246	319	102	27	59	42	203	78	M22	UKX16+H2316	PX16	38.8			
75	UKPX17+H2317	850.25	101.6	381	246	319	111	27	59	42	209	82		UKX17+H2317	PX17	38.0			
80	UKPX18+H2318	1102.65	101.6	381	245	321	111	27	60	45	206	86	M22	UKX18+H2318	PX18	37.3			
90	UKPX20+H2320	1473.05	127	432	299	375	121	33	64	52	254	97	M27	UKX20+H2320	PX20	69.4			

Lubrication fitting tap size 1/8-27 NPT

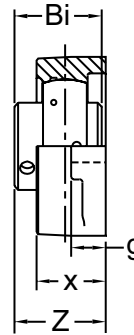
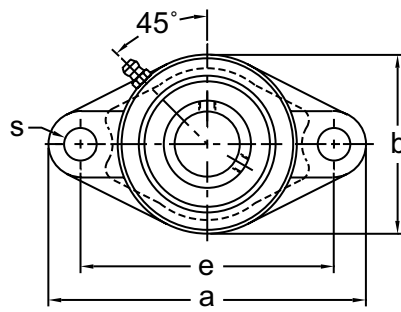
INTERCHANGES: UKPX



TWO-BOLT FLANGE UNITS

UCFL X00

Set-Screw Locking
Wide Inner Ring
Cast Iron Housing
Insert detail-pg.122
Inch and Metric



MEDIUM DUTY

Shaft Diam. (in.)	AMI Unit #	List Price	Dimensions (in.)								Bolt Size (in.)	Bearing #	Housing #	Weight (lb.)
			a	e	g	x	s	b	z	Bi				
1	UCFLX05-16	87.00	5-9/16	4-19/32	17/32	1-3/16	1/2	3-1/4	1.579	1.500	7/16	UCX05-16	FT206	2.20
1-1/8	UCFLX06-18	101.70	6-1/8	5-1/8	9/16	1-11/32	35/64	3-3/4	1.752	1.689	1/2	UCX06-18	FT207	3.09
1-3/16	UCFLX06-19													
1-1/4	UCFLX06-20													
1-1/4	UCFLX07-20	127.00	6-3/4	5-21/32	9/16	1-1/2	35/64	4-1/8	2.016	1.937	1/2	UCX07-20	FT208	4.19
1-3/8	UCFLX07-22													
1-7/16	UCFLX07-23													
1-1/2	UCFLX08-24	152.00	7-1/16	5-27/32	9/16	1-9/16	5/8	4-3/8	2.047	1.937	9/16	UCX08-24	FT209	4.41
1-5/8	UCFLX09-26	164.10	7-7/16	6-3/16	9/16	1-9/16	5/8	4-9/16	2.157	2.031	9/16	UCX09-26	FT210	5.29
1-11/16	UCFLX09-27													
1-3/4	UCFLX09-28													
1-7/8	UCFLX10-30	197.00	8-1/2	7-1/4	13/16	1-3/4	21/32	5-1/4	2.315	2.189	5/8	UCX10-30	FT211	7.93
1-15/16	UCFLX10-31													
2	UCFLX10-32													
Dimensions (mm)														
25	UCFLX05	87.00	141	116.7	13	30	12.5	83	40.1	38.1	M10	UCX05	FT206	2.23
30	UCFLX06	101.70	156	130.2	14	34	14	95	44.5	42.9	M12	UCX06	FT207	3.12
35	UCFLX07	127.00	171	143.7	14	38	14	105	51.2	49.2	M12	UCX07	FT208	4.24
40	UCFLX08	152.00	179	148.4	14	40	16	111	52.0	49.2	M14	UCX08	FT209	4.46
45	UCFLX09	164.10	189	157.2	14	40	16	116	54.8	51.6	M14	UCX09	FT210	5.35
50	UCFLX10	197.00	216	184.2	21	44	17	133	58.8	55.6	M16	UCX10	FT211	8.03

Lubrication fitting tap size 1/8-27 NPT

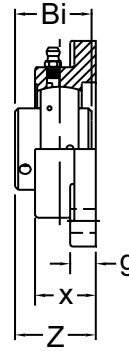
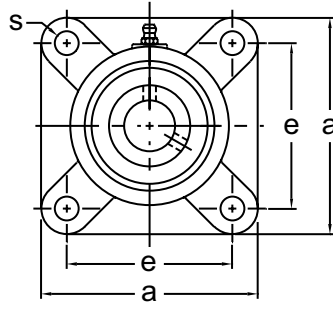
INTERCHANGES: VF2S-3 F2B-SCM YCJTM FC2-35 FYTM-TF UCFLX MSFT

UCF X00

FOUR-BOLT FLANGE UNITS



MEDIUM DUTY



**Set-Screw Locking
Wide Inner Ring
Cast Iron Housing
Insert detail-pg.122
Inch and Metric**

Shaft Diam. (in.)	AMI Unit #	List Price	Dimensions (in.)							Bolt Size (in.)	Bearing #	Housing #	Weight (lb.)
			a	e	g	x	s	Z	Bi				
1	UCFX05-16	87.00	4-1/4	3-1/4	1/2	1-3/16	15/32	1.583	1.500	7/16	UCX05-16	FX05	2.42
1-1/8	UCFX06-18	101.70	4-5/8	3-5/8	9/16	1-11/32	17/32	1.748	1.689	1/2	UCX06-18	FX06	2.87
1-3/16	UCFX06-19												
1-1/4	UCFX06-20												
1-1/4	UCFX07-20	127.00	5-1/8	4	9/16	1-1/2	17/32	2.016	1.937	1/2	UCX07-20	FX07	3.97
1-3/8	UCFX07-22												
1-7/16	UCFX07-23												
1-1/2	UCFX08-24	152.00	5-3/8	4-1/8	3/4	1-9/16	19/32	2.055	1.937	9/16	UCX08-24	FX08	3.97
1-5/8	UCFX09-26	164.10	5-5/8	4-3/8	23/32	1-9/16	19/32	2.189	2.031	9/16	UCX09-26	FX09	5.29
1-11/16	UCFX09-27												
1-3/4	UCFX09-28												
1-7/8	UCFX10-30	197.00	6-3/8	5-1/8	25/32	1-3/4	21/32	2.339	2.189	5/8	UCX10-30	FX10	7.93
1-15/16	UCFX10-31												
2	UCFX10-32												
2	UCFX11-32	263.00	6-7/8	5-5/8	25/32	1-15/16	21/32	2.705	2.563	5/8	UCX11-32	FX11	9.92
2-3/16	UCFX11-35												
2-1/4	UCFX11-36												
2-3/8	UCFX12-38	315.10	7-3/8	5-7/8	13/16	2-5/16	21/32	2.902	2.563	5/8	UCX12-38	FX12	11.68
2-7/16	UCFX12-39												
2-1/2	UCFX13-40												
2-11/16	UCFX14-43	426.60	7-3/4	6	15/16	2-3/8	25/32	3.209	3.063	3/4	UCX14-43	FX14	16.97
2-3/4	UCFX14-44												
2-15/16	UCFX15-47												
3	UCFX15-48	484.80	7-3/4	6	15/16	2-11/16	25/32	3.516	3.252	3/4	UCX15-47	FX15	16.97
3-3/16	UCFX16-51	655.70	8-7/16	6-3/4	15/16	2-3/4	25/32	3.606	3.374	3/4	UCX16-51	FX16	22.48
3-1/4	UCFX17-52	702.00	8-7/16	6-3/4	15/16	2-3/4	25/32	3.791	3.780	3/4	UCX17-52	FX17	22.48
3-7/16	UCFX17-55												
3-1/2	UCFX18-56												
3-15/16	UCFX20-63	914.00	8-7/16	6-3/4	15/16	3	25/32	4.177	4.094	3/4	UCX18-56	FX18	23.36
4	UCFX20-64	1240.00	10-9/16	8-5/16	1-7/32	3-13/16	1-1/32	5.012	4.626	1	UCX20-63	FX20	37.03
Dimensions (mm)													
25	UCFX05	87.00	108	83	13	30	12	40.2	38.1	M10	UCX05	FX05	2.42
30	UCFX06	101.70	117	92	14	34	13.5	44.4	42.9	M12	UCX06	FX06	2.87
35	UCFX07	127.00	130	102	14	38	13.5	51.2	49.2	M12	UCX07	FX07	3.97
40	UCFX08	152.00	137	105	19	40	15	52.2	49.2	M14	UCX08	FX08	3.97
45	UCFX09	164.10	143	111	18	40	15	55.6	51.6	M14	UCX09	FX09	5.29
50	UCFX10	197.00	162	130	20	44	17	59.4	55.6	M16	UCX10	FX10	7.93
55	UCFX11	263.00	175	143	20	49	17	68.7	65.1		UCX11	FX11	9.92
60	UCFX12	315.10	187	149	21	59	17	73.7	65.1	M16	UCX12	FX12	11.68
65	UCFX13	360.20	187	149	21	59	17	78.4	74.6		UCX13	FX13	12.12
70	UCFX14	426.60	197	152	24	60	20	81.5	77.8		UCX14	FX14	16.97
75	UCFX15	484.80	197	152	24	68	20	89.3	82.6	M18	UCX15	FX15	16.97
80	UCFX16	655.70	214	171	24	70	20	91.6	85.7		UCX16	FX16	22.48
85	UCFX17	702.00	214	171	24	70	20	96.3	96	M18	UCX17	FX17	22.48
90	UCFX18	914.00	214	171	24	76	20	106.1	104	M18	UCX18	FX18	23.36
100	UCFX20	1240.00	268	211	31	97	26	127.3	117.5	M24	UCX20	FX20	37.03

Lubrication fitting tap size 1/8-27 NPT

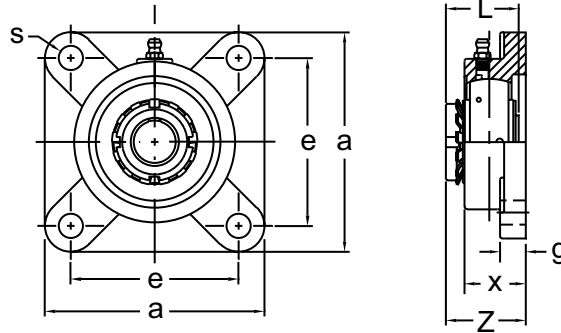
INTERCHANGES: VF4S-3 F4B-SCM TCJM FC4-35 FYM-TF UCFX MSF



FOUR-BOLT FLANGE UNITS

UKF X00+H

Tapered Adapter Sleeve
Wide Inner Ring
Cast Iron Housing
Insert detail-pg.123
Inch and Metric



MEDIUM DUTY

Shaft Diam. (in.)	AMI Unit #	List Price	Dimensions (in.)							Bolt Size (in.)	Bearing #	Housing #	Weight (lb.)
			a	e	g	x	s	Z	L				
3/4	UKFX05+HE2305	119.40	4-1/4	3-1/4	1/2	1-3/16	15/32	1.535	1.378	7/16	UKX05+HE2305	FX05	2.45
13/16	UKFX05+HA2305										UKX05+HA2305		
7/8	UKFX06+HS2306	136.80	4-5/8	3-5/8	9/16	1-11/32	17/32	1.614	1.496	1/2	UKX06+HS2306	FX06	3.12
15/16	UKFX06+HA2306										UKX06+HA2306		
1	UKFX06+HE2306										UKX06+HE2306		
1-1/8	UKFX07+HS2307	164.10	5-1/8	4	9/16	1-1/2	17/32	1.752	1.693	1/2	UKX07+HS2307	FX07	4.01
1-3/16	UKFX07+HA2307										UKX07+HA2307		
1-1/4	UKFX08+HE2308	192.45	5-3/8	4-1/8	3/4	1-9/16	19/32	1.851	1.811	9/16	UKX08+HE2308	FX08	4.01
1-5/16	UKFX08+HA2308										UKX08+HA2308		
1-3/8	UKFX08+HS2308										UKX08+HS2308		
1-7/16	UKFX09+HA2309	211.30	5-5/8	4-3/8	23/32	1-9/16	19/32	1.949	1.969	9/16	UKX09+HA2309	FX09	5.35
1-1/2	UKFX09+HE2309										UKX09+HE2309		
1-5/8	UKFX09+HS2309										UKX09+HS2309		
1-11/16	UKFX10+HA2310	250.90	6-3/8	5-1/8	25/32	1-3/4	21/32	2.146	2.165	5/8	UKX10+HA2310	FX10	8.03
1-3/4	UKFX10+HE2310										UKX10+HE2310		
1-7/8	UKFX11+HS2311	323.65	6-7/8	5-5/8	25/32	1-15/16	21/32	2.323	2.323	5/8	UKX11+HS2311	FX11	9.59
1-15/16	UKFX11+HA2311										UKX11+HA2311		
2	UKFX11+HE2311										UKX11+HE2311		
2-1/16	UKFX12+HA2312	382.50	7-3/8	5-7/8	13/16	2-5/16	21/32	2.598	2.441	5/8	UKX12+HA2312	FX12	11.8
2-1/8	UKFX12+HS2312										UKX12+HS2312		
2-3/16	UKFX13+HA2313	441.05	7-3/8	5-7/8	13/16	2-5/16	21/32	2.677	2.559	5/8	UKX13+HA2313	FX13	11.6
2-1/4	UKFX13+HE2313										UKX13+HE2313		
2-3/8	UKFX13+HS2313										UKX13+HS2313		
2-7/16	UKFX15+HA2315	606.10	7-3/4	6	15/16	2-11/16	25/32	3.032	2.874	3/4	UKX15+HA2315	FX15	17.2
2-1/2	UKFX15+HE2315										UKX15+HE2315		
2-3/4	UKFX16+HE2316	790.45	8-7/16	6-3/4	15/16	2-3/4	25/32	3.150	3.071	3/4	UKX16+HE2316	FX16	22.8
2-15/16	UKFX17+HA2317	850.25	8-7/16	6-3/4	15/16	2-3/4	25/32	3.248	3.228	3/4	UKX17+HA2317	FX17	22.6
3	UKFX17+HE2317										UKX17+HE2317		
3-1/8	UKFX18+HS2318	1102.65	8-7/16	6-3/4	15/16	3	25/32	3.504	3.386	3/4	UKX18+HS2318	FX18	22.8
3-7/16	UKFX20+HA2320	1473.05	10-9/16	8-5/16	1-7/32	3-13/16	1-1/32	4.252	3.819	1	UKX20+HA2320	FX20	36.5
3-1/2	UKFX20+HE2320										UKX20+HE2320		
Dimensions (mm)													
20	UKFX05+H2305	119.40	108	83	13	30	12	39	35	M10	UKX05+H2305	FX05	2.45
25	UKFX06+H2306	136.80	117	92	14	34	13.5	40.5	38	M12	UKX06+H2306	FX06	3.12
30	UKFX07+H2307	164.10	130	102	14	38	13.5	44.5	43	M12	UKX07+H2307	FX07	4.01
35	UKFX08+H2308	192.45	137	105	19	40	15	47	46	M14	UKX08+H2308	FX08	4.01
40	UKFX09+H2309	211.30	143	111	18	40	15	49.5	50	M14	UKX09+H2309	FX09	5.35
45	UKFX10+H2310	250.90	162	130	20	44	17	54.5	55	M16	UKX10+H2310	FX10	8.03
50	UKFX11+H2311	323.65	175	143	20	49	17	59	59		UKX11+H2311	FX11	9.59
55	UKFX12+H2312	382.50	187	149	21	59	17	66	62	M16	UKX12+H2312	FX12	11.8
60	UKFX13+H2313	441.05	187	149	21	59	17	68	65		UKX13+H2313	FX13	11.6
65	UKFX15+H2315	606.10	197	152	24	68	20	77	73		UKX15+H2315	FX15	17.2
70	UKFX16+H2316	790.45	214	171	24	70	20	80	78	M18	UKX16+H2316	FX16	22.8
75	UKFX17+H2317	850.25	214	171	24	70	20	82.5	82		UKX17+H2317	FX17	22.6
80	UKFX18+H2318	1102.65	214	171	24	76	20	89	86	M18	UKX18+H2318	FX18	22.8
90	UKFX20+H2320	1473.05	268	211	31	97	26	108	97	M24	UKX20+H2320	FX20	35.5

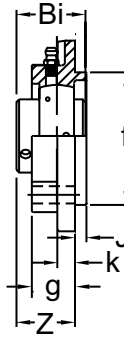
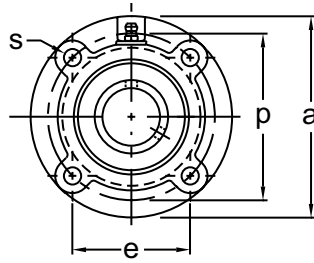
Lubrication fitting tap size 1/8-27 NPT

INTERCHANGES: UKFX

UCFCSX / UCFC X00 PILOTED FLANGE CARTRIDGE UNITS



SealMaster® Style



**Set-Screw Locking
Wide Inner Ring
Cast Iron Housing
Insert detail-pg.122
Inch and Metric**

MEDIUM DUTY

Shaft Diam. (in.)	AMI Unit #	List Price	Dimensions (in.)										Bolt Size (in.)	Bearing #	Housing #	Weight (lb.)
			a	p	e	s	J	k	g	f	z	Bi				
1	UCFCSX05-16	87.45	4-3/8	3-5/8	2.559	3/8	1/4	23/64	15/16	3.000	1.268	1.500	5/16	UCX05-16	FCSX05	2.42
1-1/8	UCFCSX06-18	103.65	5	4-1/8	2.921	15/32	3/8	25/64	7/8	3.375	1.315	1.689	3/8	UCX06-18	FCSX06	3.09
1-3/16	UCFCSX06-19													UCX06-19		
1-1/4	UCFCSX06-20													UCX06-20		
1-1/4	UCFCSX07-20	134.10	5-1/4	4-3/8	3.091	15/32	7/16	7/16	1-1/32	3.625	1.543	1.937	3/8	UCX07-20	FCSX07	3.97
1-3/8	UCFCSX07-22													UCX07-22		
1-7/16	UCFCSX07-23													UCX07-23		
1-1/2	UCFCSX08-24	166.25	5-1/4	4-3/8	3.091	15/32	7/16	7/16	1-1/32	3.625	1.543	1.937	3/8	UCX08-24	FCX08	3.97
1-1/2	UCFCMX08-24	166.25	6-1/8	5-1/8	3.625	17/32	15/32	29/64	7/8	4.250	1.408	1.937	1/2	UCX08-24	FCF209	3.97
1-5/8	UCFCSX09-26	180.85	6-1/8	5-1/8	3.618	35/64	15/32	7/16	1	4.250	1.598	2.031	1/2	UCX09-26	FCSX09	5.51
1-11/16	UCFCSX09-27													UCX09-27		
1-3/4	UCFCSX09-28													UCX09-28		
1-7/8	UCFCSX10-30	208.35	6-3/8	5-3/8	3.800	35/64	5/8	7/16	1	4.500	1.591	2.189	1/2	UCX10-30	FCSX10	6.39
1-15/16	UCFCSX10-31													UCX10-31		
2	UCFCSX10-32													UCX10-32		
2	UCFCSX11-32	262.85	7-1/8	6	4.232	5/8	7/8	1/2	1-1/32	5.000	1.720	2.563	1/2	UCX11-32	FCSX11	8.82
2-3/16	UCFCSX11-35													UCX11-35		
2-1/4	UCFCSX11-36													UCX11-36		
2-3/8	UCFCSX12-38	323.10	7-5/8	6-1/2	4.594	5/8	25/32	9/16	1-5/16	5.500	1.996	2.563	1/2	UCX12-38	FCSX12	10.14
2-7/16	UCFCSX12-39													UCX12-39		
2-1/2	UCFCSX13-40													UCX13-40		
2-1/2	UCFCSX13-40	380.75	7-5/8	6-1/2	4.594	5/8	25/32	9/16	1-5/16	5.500	2.181	2.937	1/2	UCX13-40	FCSX13	10.80
2-11/16	UCFCSX14-43	459.75	8-3/4	7-1/2	5.303	3/4	25/32	9/16	1-13/32	6.375	2.303	3.063	5/8	UCX14-43	FCSX14	16.31
2-3/4	UCFCSX14-44													UCX14-44		
2-15/16	UCFCSX15-47													UCX15-47		
3	UCFCSX15-48	508.20	8-3/4	7-1/2	5.303	3/4	7/8	5/8	1-3/8	6.375	2.413	3.252	5/8	UCX15-48	FCSX15	16.31
3-3/16	UCFCSX16-51	693.05	10-1/4	8-5/8	6.094	29/32	1	3/4	1-13/32	7.323	2.425	3.374	3/4	UCX16-51	FCSX16	25.35
3-1/4	UCFCSX17-52	741.85	10-1/4	8-5/8	6.094	29/32	1	3/4	1-13/32	7.375	2.610	3.780	3/4	UCX17-52	FCSX17	24.46
3-7/16	UCFCSX17-55													UCX17-55		
3-1/2	UCFCSX18-56	963.75	10-1/4	8-5/8	6.094	29/32	1-3/32	3/4	1-11/16	7.375	2.878	4.094	3/4	UCX18-56	FCSX18	24.91
3-15/16	UCFCSX20-63	1309.55	10-7/8	9-3/8	6.626	29/32	1-3/32	7/8	2-19/32	8.125	3.555	4.626	3/4	UCX20-63	FCSX20	35.04
4	UCFCSX20-64													UCX20-64		
Dimensions (mm)																
25	UCFCX05	87.45	111	92	65	9.5	6	9.5	24	76	32.2	38.1	M8	UCX05	FCX05	2.45
30	UCFCX06	103.65	127	105	74.2	12	9.5	9.5	22.5	85	33.4	42.9	M10	UCX06	FCX06	3.12
35	UCFCX07	134.10	133	111	78.5	12	11	11	26	92	39.2	49.2	M10	UCX07	FCX07	4.01
40	UCFCX08	166.25	133	111	78.5	12	11	11	26	92	39.2	49.2	M10	UCX08	FCX08	4.01
45	UCFCX09	180.85	155	130	91.9	14	12	11	25	108	40.6	51.6	M12	UCX09	FCX09	5.58
50	UCFCX10	208.35	162	136	96.2	14	16	11	25	118	40.4	55.6	M12	UCX10	FCX10	6.47
55	UCFCX11	262.85	180	152	107.5	16	22	13	26	127	43.7	65.1	M14	UCX11	FCX11	8.92
60	UCFCX12	323.10	194	165	116.7	16	20	14	33	140	50.7	65.1		UCX12	FCX12	10.3
65	UCFCX13	380.75	194	165	116.7	16	20	14	33	140	55.4	74.6		UCX13	FCX13	11.0
70	UCFCX14	459.75	222	190	134.3	19	20	14	36	164	58.5	77.8	M16	UCX14	FCX14	16.5
75	UCFCX15	508.20	222	190	134.3	19	22	16	35	164	61.3	82.6	M16	UCX15	FCX15	16.5
80	UCFCX16	693.05	260	219	154.8	23	25	19	36	186	61.6	85.7	M20	UCX16	FCX16	25.7
85	UCFCX17	741.85	260	219	154.8	23	25	19	36	186	66.3	96	M20	UCX17	FCX17	24.8
90	UCFCX18	963.75	260	219	154.8	23	28	19	43	186	73.1	104		UCX18	FCX18	25.2
100	UCFCX20	1309.55	276	238	168.3	23	28	22	66	206	90.3	117.5		UCX20	FCX20	35.5

Lubrication fitting tap size 1/8-27 NPT

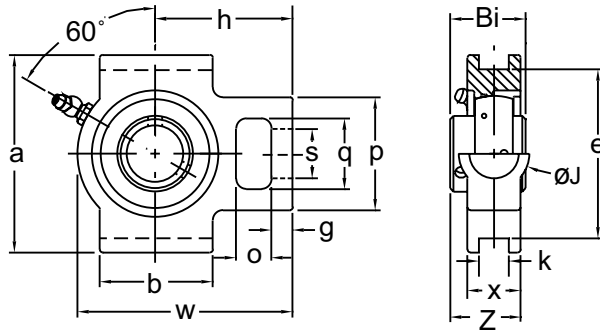
INTERCHANGES: VFCS-3 FC-SCM MFC PFC4-35 UCFCX



WIDE SLOT TAKE-UP UNITS

UCT X00

Set-Screw Locking
Wide Inner Ring
Cast Iron Housing
Insert detail-pg.102
Inch and Metric

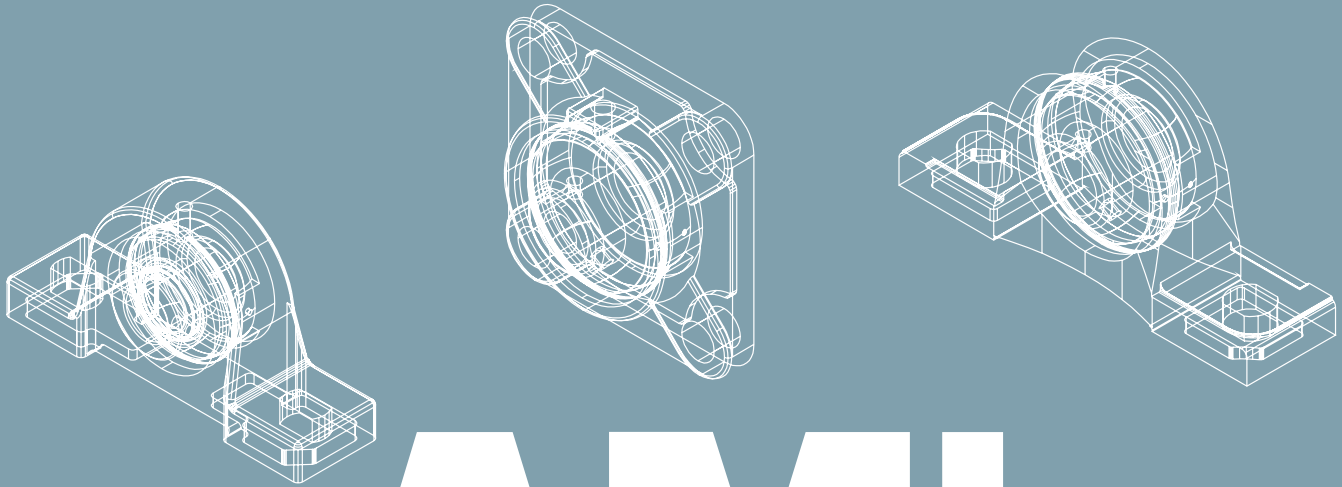


Shaft Diam. (in.)	AMI Unit #	List Price	Dimensions (in.)															Bearing #	Housing #	Weight (lb.)
			o	g	p	q	s	b	k	e	a	w	J	x	h	Bi	Z			
1	UCTX05-16	87.00	5/8	3/8	2-3/16	1-7/16	7/8	2-1/4	0.472	3.504	4	4-7/16	1-7/16	1-1/8	2-3/4	1.500	1.437	UCX05-16	TX05	2.87
1-1/8	UCTX06-18	101.70	5/8	1/2	2-1/2	1-7/16	7/8	2-1/2	0.472	3.504	4	5-1/16	1-7/16	1-3/16	3-1/16	1.689	1.594	UCX06-18	TX06	3.53
1-3/16	UCTX06-19																	UCX06-19		
1-1/4	UCTX06-20																	UCX06-20		
1-1/4	UCTX07-20	127.00	3/4	9/16	3-1/4	1-15/16	1-1/8	3-1/4	0.630	4.016	4-1/2	5-11/16	1-15/16	1-7/16	3-15/32	1.937	1.908	UCX07-20	TX07	5.73
1-3/8	UCTX07-22																	UCX07-22		
1-7/16	UCTX07-23																	UCX07-23		
1-1/2	UCTX08-24	152.00	3/4	9/16	3-1/4	1-15/16	1-1/8	3-1/4	0.630	4.016	4-5/8	5-11/16	1-15/16	1-7/16	3-7/16	1.937	1.908	UCX08-24	TX08	5.73
1-5/8	UCTX09-26																	UCX09-26		
1-11/16	UCTX09-27																	UCX09-27		
1-3/4	UCTX09-28	164.10	3/4	5/8	3-1/4	1-15/16	1-1/8	3-3/8	0.630	4.016	4-5/8	5-7/8	1-15/16	1-1/2	3-17/32	2.031	2.033	UCX09-28	TX09	6.17
1-7/8	UCTX10-30																	UCX10-30		
1-15/16	UCTX10-31																	UCX10-31		
2	UCTX10-32	197.00	1	3/4	4	2-1/2	1-3/8	3-3/4	0.866	5.118	5-3/4	6-3/4	2-1/2	1-5/8	4-3/16	2.189	2.128	UCX10-32	TX10	9.70
2	UCTX11-32																	UCX11-32		
2-3/16	UCTX11-35																	UCX11-35		
2-1/4	UCTX11-36	263.00	1-1/4	3/4	4	2-1/2	1-3/8	4	0.866	5.118	5-3/4	7-5/8	2-1/2	1-3/4	4-11/16	2.563	2.438	UCX11-36	TX11	11.46
2-3/8	UCTX12-38																	UCX12-38		
2-7/16	UCTX12-39																	UCX12-39		
2-1/2	UCTX13-40	360.20	1-1/4	13/16	4-3/8	2-3/4	1-5/8	4-3/4	1.024	5.945	6-9/16	8-13/16	2-3/4	1-7/8	5-13/32	2.937	2.686	UCX13-40	TX13	16.31
2-11/16	UCTX14-43																	UCX14-43		
2-3/4	UCTX14-44																	UCX14-44		
2-15/16	UCTX15-47	484.80	1-1/4	13/16	4-3/8	2-3/4	1-5/8	4-3/4	1.102	6.496	7-1/4	9-1/4	2-3/4	2	5-1/2	3.252	2.879	UCX15-47	TX15	18.51
3	UCTX15-48																	UCX15-48		
3-3/16	UCTX16-51																	UCX16-51		
3-1/4	UCTX17-52	702.00	1-1/2	1-1/8	4-7/8	2-7/8	1-7/8	6-3/16	1.102	6.811	7-13/16	10-1/4	2-7/8	2-1/8	6-3/8	3.374	3.094	UCX17-52	TX17	24.91
3-7/16	UCTX17-55																	UCX17-55		
			Dimensions (mm)																	
25	UCTX05	87.00	16	10	56	37	22	57	12	89	102	113	37	28	70	38.1	36.5	UCX05	TX05	2.90
30	UCTX06	101.70	16	13	64	37	22	64	12	89	102	129	37	30	78	42.9	40.5	UCX06	TX06	3.57
35	UCTX07	127.00	19	15	83	49	29	83	16	102	114	144	49	36	88	49.2	48.5	UCX07	TX07	5.80
40	UCTX08	152.00	19	15	83	49	29	83	16	102	117	144	49	36	87	49.2	48.5	UCX08	TX08	5.80
45	UCTX09	164.10	19	16	83	49	29	86	16	102	117	149	49	38	90	51.6	51.6	UCX09	TX09	6.24
50	UCTX10	197.00	25	19	102	64	35	95	22	130	146	171	64	42	106	55.6	54.1	UCX10	TX10	9.81
55	UCTX11	263.00	32	19	102	64	35	102	22	130	146	194	64	44	119	65.1	61.9	UCX11	TX11	11.6
60	UCTX12	315.10	32	21	111	70	41	121	26	151	167	224	70	48	137	65.1	63.5	UCX12	TX12	16.1
65	UCTX13	360.20	32	21	111	70	41	121	26	151	167	224	70	48	137	74.6	68.2	UCX13	TX13	16.5
70	UCTX14	426.60	32	21	111	70	41	121	26	151	167	232	70	48	140	77.8	68.3	UCX14	TX14	17.2
75	UCTX15	484.80	32	21	111	70	41	121	28	165	184	235	70	51	140	82.6	73.1	UCX15	TX15	18.8
80	UCTX16	655.70	38	28	124	73	48	157	28	173	198	260	73	54	162	85.7	78.6	UCX16	TX16	25.2
85	UCTX17	702.00	38	28	124	73	48	157	28	173	198	260	73	54	162	96	83.3	UCX17	TX17	24.5

Lubrication fitting tap size 1/8-27 NPT

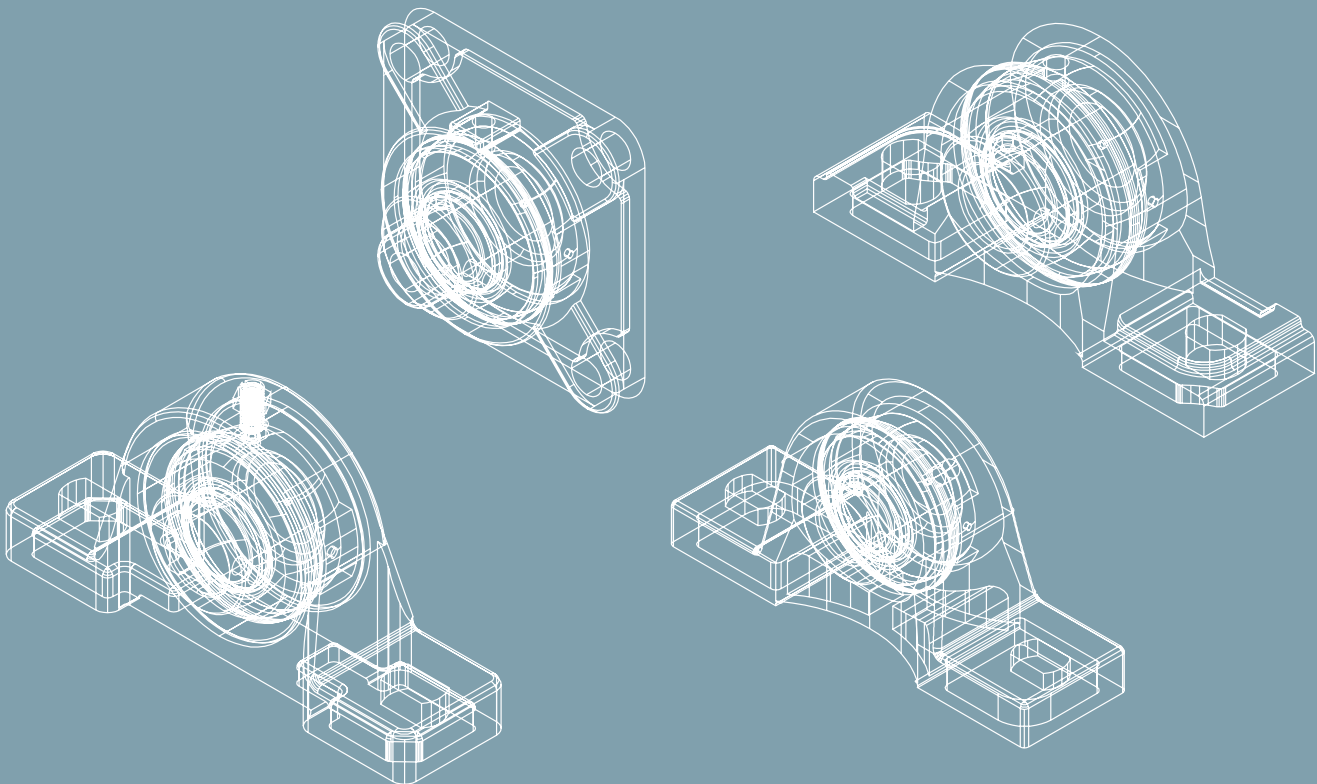
INTERCHANGES: UCTX

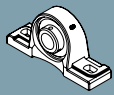
MEDIUM DUTY



AMI

Heavy Duty

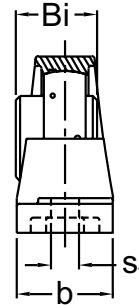
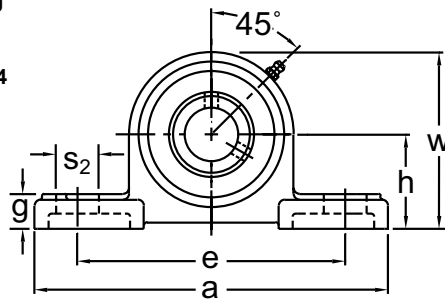




PILLOW BLOCKS

UCP 300

Set-Screw Locking
Wide Inner Ring
Cast Iron Housing
Insert detail-pg.124
Inch and Metric

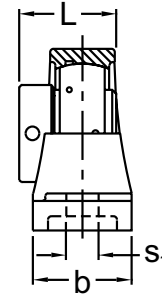
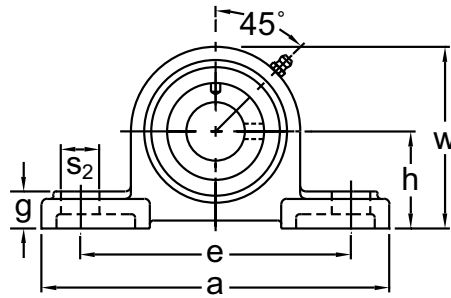
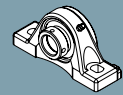


Shaft Diam (in.)	AMI Unit #	List Price	Dimensions (in.)										Bolt Size (in.)	Bearing #	Housing #	Weight (lb.)	
			h	a	e		b	s ₁	s ₂	g	w	Bi					
1	UCP305-16	115.10	1-49/64	6-7/8	4-31/32	5-17/32	1-3/4	21/32	25/32	43/64	3-1/4	1.496	1/2	UC305-16	P305	3.53	
1-3/16	UCP306-19	160.30	1-31/32	7-1/16	5-7/32	5-25/32	2	21/32	25/32	7/8	3-11/16	1.693	1/2	UC306-19	P306	4.19	
1-1/4	UCP307-20	195.40	2-13/64	8-1/4	5-3/4	6-3/4	2-1/4	21/32	1	7/8	4-1/8	1.890	1/2	UC307-20	P307	5.95	
1-7/16	UCP307-23		2-13/64	8-1/4	5-3/4	6-3/4	2-1/4	21/32	1	7/8	4-1/8	1.890	1/2	UC307-23			
1-1/2	UCP308-24	227.40	2-23/64	8-11/16	6-3/16	7-5/16	2-3/8	21/32	1-1/16	63/64	4-9/16	2.047	1/2	UC308-24	P308	7.27	
1-11/16	UCP309-27	281.70	2-41/64	9-5/8	6-15/16	8-1/16	2-5/8	25/32	1-3/16	1	5-1/32	2.244	5/8	UC309-27	P309	9.92	
1-3/4	UCP309-28		2-41/64	9-5/8	6-15/16	8-1/16	2-5/8	25/32	1-3/16	1	5-1/32	2.244	5/8	UC309-28			
1-7/8	UCP310-30	335.80	2-61/64	10-13/16	7-5/8	9-1/8	3-1/16	25/32	1-3/8	1-3/16	5-5/8	2.402	5/8	UC310-30	P310	13.66	
1-15/16	UCP310-31		2-61/64	10-13/16	7-5/8	9-1/8	3-1/16	25/32	1-3/8	1-3/16	5-5/8	2.402	5/8	UC310-31			
2	UCP311-32	449.60	3-5/32	12-3/16	8-3/8	10-1/8	3-1/8	25/32	1-1/2	1-7/32	6-1/16	2.598	5/8	UC311-32	P311	16.97	
2-3/16	UCP311-35		3-5/32	12-3/16	8-3/8	10-1/8	3-1/8	25/32	1-1/2	1-7/32	6-1/16	2.598	5/8	UC311-35			
2-7/16	UCP312-39	550.10	3-11/32	13-5/32	9-1/8	10-5/8	3-3/8	1	1-1/2	1-27/64	6-1/2	2.795	3/4	UC312-39	P312	20.50	
2-1/2	UCP313-40	580.10	3-35/64	13-3/8	9-1/2	11	3-1/2	1	1-1/2	1-37/64	6-27/32	2.953	3/4	UC313-40	P313	21.60	
2-11/16	UCP314-43	700.50	3-47/64	14-3/16	10-5/16	11-11/16	3-1/2	1-1/16	1-9/16	1-21/32	7-3/8	3.071	7/8	UC314-43	P314	25.13	
2-3/4	UCP314-44		3-47/64	14-3/16	10-5/16	11-11/16	3-1/2	1-1/16	1-9/16	1-21/32	7-3/8	3.071	7/8	UC314-44			
2-15/16	UCP315-47	869.80	3-15/16	15-5/64	10-11/16	12-1/16	3-7/8	1-1/16	1-9/16	1-37/64	7-59/64	3.228	7/8	UC315-47	P315	29.97	
3	UCP315-48		3-15/16	15-5/64	10-11/16	12-1/16	3-7/8	1-1/16	1-9/16	1-37/64	7-59/64	3.228	7/8	UC315-48			
3-3/16	UCP316-51	988.60	4-11/64	15-3/4	11-1/16	12-7/16	4-3/8	1-1/16	1-9/16	1-25/32	8-7/32	3.386	7/8	UC316-51	P316	36.15	
3-1/4	UCP317-52	1059.50	4-13/32	16-9/16	11-27/32	13-13/32	4-3/8	1-5/16	1-25/32	1-45/64	8-11/16	3.780	1	UC317-52	P317	40.99	
3-7/16	UCP318-55	1777.85	4-41/64	16-15/16	12-7/32	13-25/32	4-3/8	1-5/16	1-45/64	1-31/32	9-1/4	3.780	1	UC318-55	P318	46.06	
3-1/2	UCP318-56	1236.30	4-41/64	16-15/16	12-7/32	13-25/32	4-3/8	1-5/16	1-45/64	1-31/32	9-1/4	3.780	1	UC318-56			
3-3/4	UCP319-60	1372.60	4-59/64	18-1/2	13-19/32	14-31/32	4-3/4	1-1/2	1-31/32	2-3/64	10	4.055	1-1/8	UC319-60	P319	58.41	
3-15/16	UCP320-63	1627.70	5-33/64	19-5/16	14-5/32	15-27/32	4-3/4	1-13/32	1-31/32	2-11/64	10-29/32	4.252	1-1/8	UC320-63	P320	75.60	
4	UCP320-64		5-33/64	19-5/16	14-5/32	15-27/32	4-3/4	1-13/32	1-31/32	2-11/64	10-29/32	4.252	1-1/8	UC320-64			
4-7/16	UCP322-71	2195.10	5-29/32	20-11/16	14-7/8	16-5/8	5-1/2	1-9/16	2-5/32	2-1/4	11-45/64	4.606	1-1/4	UC322-71	P322	94.8	
Dimensions (mm)																	
25	UCP305	115.10	45	175	126	141	45	17	20	17	83	38	M14	UC305	P305	3.57	
30	UCP306	160.30	50	180	133	147	50	17	20	22	94	43	M14	UC306	P306	4.24	
35	UCP307	195.40	56	210	146	172	56	17	25	22	105	48	M14	UC307	P307	6.06	
40	UCP308	227.40	60	220	157	186	60	17	27	25	116	52	M14	UC308	P308	7.36	
45	UCP309	281.70	67	245	176	205	67	20	30	26	128	57	M16	UC309	P309	10.0	
50	UCP310	335.80	75	275	194	232	78	20	35	30	143	61	M16	UC310	P310	13.8	
55	UCP311	449.60	80	310	213	257	80	20	38	31	154	66	M16	UC311	P311	17.2	
60	UCP312	550.10	85	334	232	270	85	25	38	36	165	71	M20	UC312	P312	20.7	
65	UCP313	580.10	90	340	241	279	90	25	38	40	174	75	M20	UC313	P313	21.9	
70	UCP314	700.50	95	360	262	297	90	27	40	42	187	78	M22	UC314	P314	25.4	
75	UCP315	869.80	100	383	272	306	100	27	40	40	201	82	M22	UC315	P315	30.3	
80	UCP316	988.60	106	400	281	316	110	27	40	45	209	86	M22	UC316	P316	36.6	
85	UCP317	1059.50	112	420	301	341	110	33	45	43	221	96	M27	UC317	P317	41.5	
90	UCP318	1236.30	118	430	310	350	110	33	43	50	235	96	M27	UC318	P318	46.6	
95	UCP319	1372.60	125	470	337	380	120	38	50	52	253	103	M30	UC319	P319	59.1	
100	UCP320	1627.70	140	490	360	402	120	36	50	55	277	108	M30	UC320	P320	76.5	
105	UCP321	1942.90	140	490	360	402	120	36	50	55	277	112	M30	UC321	P321	81.6	
110	UCP322	2195.10	150	525	378	422	140	40	55	57	297	117	M33	UC322	P322	94.8	
120	UCP324	2844.10	160	565	428	472	140	40	55	67	320	126	M33	UC324	P324	119	
130	UCP326	3732.80	180	600	458	502	140	40	55	80	355	135	M33	UC326	P326	161	
140	UCP328	4535.00	200	615	478	522	140	40	55	80	390	145	M33	UC328	P328	199	

Lubrication fitting tap size 1/8-27 NPT

INTERCHANGES: UCP3

HEAVY DUTY



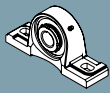
Eccentric Locking
Wide Inner Ring
Cast Iron Housing
Insert detail-pg.125
Inch and Metric

HEAVY DUTY

Shaft Diam (in.)	AMI Unit #	List Price	Dimensions (in.)										Bolt Size (in.)	Bearing #	Housing #	Weight (lb.)
			h	a	e		b	s ₁	s ₂	g	w	L				
					Min.	Max.										
1-7/16	UGP307-23	209.10	2-13/64	8-1/4	5-3/4	6-3/4	2-1/4	21/32	1	13/16	4-1/8	2.031	1/2	UG307-23	P307	6.13
1-1/2	UGP308-24	316.50	2-23/64	8-11/16	6-3/16	7-5/16	2-3/8	21/32	1-1/16	29/32	4-9/16	2.248	1/2	UG308-24	P308	7.63
1-11/16	UGP309-27	338.10	2-41/64	9-5/8	6-15/16	8-1/16	2-5/8	25/32	1-3/16	1	5-1/32	2.311	5/8	UG309-27	P309	10.36
1-15/16	UGP310-31	398.00	2-61/64	10-13/16	7-5/8	9-1/8	3-1/16	25/32	1-3/8	1-3/16	5-5/8	2.622	5/8	UG310-31	P310	14.30
2-3/16	UGP311-35	494.50	3-5/32	12-3/16	8-3/8	10-1/8	3-1/8	25/32	1-1/2	1-7/32	6-1/16	2.874	5/8	UG311-35	P311	17.53
2-7/16	UGP312-39	555.15	3-11/32	13-5/32	9-1/8	10-5/8	3-3/8	1	1-1/2	1-27/64	6-1/2	3.126	3/4	UG312-39	P312	20.98
2-11/16	UGP314-43	818.70	3-47/64	14-3/16	10-5/16	11-11/16	3-1/2	1-1/16	1-9/16	1-21/32	7-3/8	3.626	7/8	UG314-43	P314	26.47
2-15/16 3	UGP315-47 UGP315-48	861.85	3-15/16	15-5/64	10-11/16	12-1/16	3-7/8	1-1/16	1-9/16	1-37/64	7-59/64	3.937	7/8	UG315-47 UG315-48	P315	32.17
Dimensions (mm)																
45	UGP309	338.10	67	245	176	205	67	20	30	26	128	58.7	M16	UG309	P309	10.36
50	UGP310	398.00	75	275	194	232	78	20	35	30	143	66.6		UG310	P310	14.30
55	UGP311	494.50	80	310	213	257	80	20	38	31	154	73.0		UG311	P311	17.53
60	UGP312	555.15	85	334	232	270	85	25	38	36	165	79.4	M20	UG312	P312	20.98
70	UGP314	818.70	95	360	262	297	90	27	40	42	187	92.1	M22	UG314	P314	26.47
75	UGP315	861.85	100	383	272	306	100	27	40	40	201	100.0	M22	UG315	P315	32.17
90	UGP318	1246.70	118	430	310	350	110	33	43	50	235	115.9	M27	UG318	P318	50.00

Lubrication fitting tap size 1/8-27 NPT

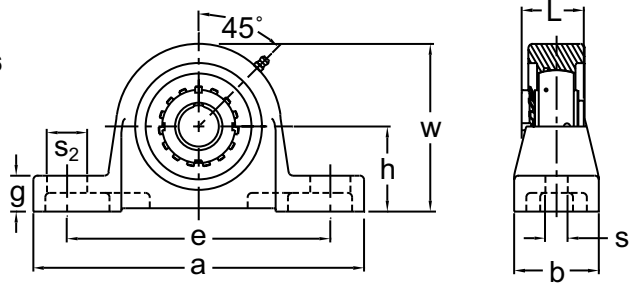
INTERCHANGES: UELP3



PILLOW BLOCKS

UKP-U 300+H

Tapered Adapter Sleeve
Wide Inner Ring
Cast Iron Housing
Insert detail-pg.126
Inch

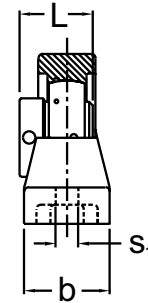
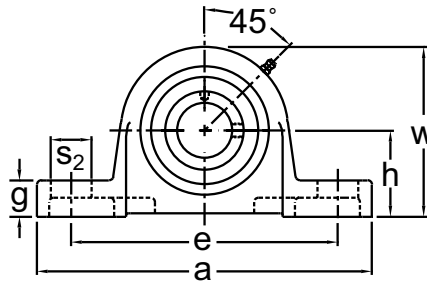
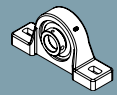


Shaft Diam (in.)	AMI Unit #	List Price	Dimensions (in.)										Bolt Size (in.)	Bearing #	Housing #	Weight (lb.)
			h	a	e		b	s ₁	s ₂	g	w	L				
					Min.	Max.										
7/8	UKPU306+HS2306	235.70	2-1/8	8-1/4	5-7/8	7	2.250	0.551	1.063	15/16	4.250	1.496	1/2	UK306+HS2306	P-U306	6.4
15/16	UKPU306+HA2306													UK306+HA2306		
1	UKPU306+HE2306													UK306+HE2306		
1-1/8	UKPU307+HS2307	252.05	2-3/8	9-1/4	6-47/64	7-63/64	2.362	0.625	1.125	1	4.685	1.693	9/16	UK307+HS2307	P-U307	7.8
1-3/16	UKPU307+HA2307													UK307+HA2307		
1-7/16	UKPU309+HA2309													UK309+HA2309		
1-1/2	UKPU309+HE2309	349.05	2-7/8	10-1/4	7-5/8	8-7/8	3.000	0.625	1.125	1-5/16	5.625	1.969	9/16	UK309+HE2309	P-U309	12.2
1-5/8	UKPU309+HS2309													UK309+HS2309		
1-11/16	UKPU310+HA2310													UK310+HA2310		
1-3/4	UKPU310+HE2310	412.85	3-1/8	11-9/64	8-17/64	9-33/64	3.150	0.625	1.125	1-3/8	6.219	2.165	9/16	UK310+HE2310	P-U310	15.8
1-7/8	UKPU311+HS2311													UK311+HS2311		
1-15/16	UKPU311+HA2311													UK311+HA2311		
2	UKPU311+HE2311	520.60	3-1/2	12-41/64	9-49/64	10-49/64	3.386	0.787	1.250	1-1/2	6.811	2.323	3/4	UK311+HE2311	P-U311	20.6
2-1/16	UKPU312+HA2312													UK312+HA2312		
2-1/8	UKPU312+HS2312													UK312+HS2312		
2-7/16	UKPU315+HA2315	1091.45	4-1/4	15-1/8	11-1/4	12-3/4	4.000	1.024	1.654	1-3/4	8.295	2.874	7/8	UK315+HA2315	P-U315	38.8
2-1/2	UKPU315+HE2315													UK315+HE2315		
3-7/16	UKPU320+HA2320													UK320+HA2320		
3-1/2	UKPU320+HE2320	2977.95	5-11/16	17-21/64	14	15	5.000	1.063	1.500	2-9/16	11.063	3.819	1	UK320+HE2320	P-U320	79.0

Lubrication fitting tap size 1/8-27 NPT

INTERCHANGES: P-U3K

HEAVY DUTY



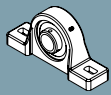
Eccentric Locking
Wide Inner Ring
Cast Iron Housing
Insert detail-pg.125
Inch and Metric

HEAVY DUTY

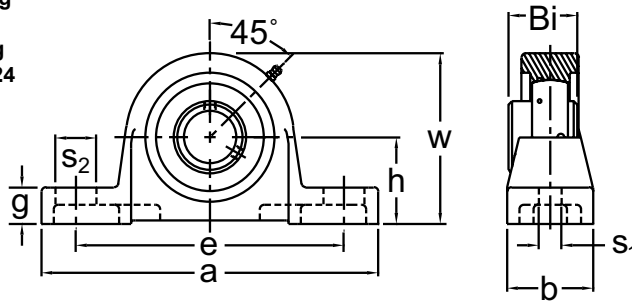
Shaft Diam (in.)	AMI Unit #	List Price	Dimensions (in.)										Bolt Size (in.)	Bearing #	Housing #	Weight (lb.)
			h	a	e		b	s ₁	s ₂	g	w	L				
					Min.	Max.										
1-7/16	UGPU307-23	298.00	2-3/8	9-1/4	6-47/64	7-63/64	2.362	0.625	1.125	1	4.685	2.031	9/16	UG307-23	P-U307	7.84
1-11/16	UGPU309-27	414.80	2-7/8	10-1/4	7-5/8	8-7/8	3.000	0.625	1.125	1-5/16	5.625	2.311	9/16	UG309-27	P-U309	12.72
1-15/16	UGPU310-31	496.10	3-1/8	11-9/64	8-17/64	9-33/64	3.150	0.625	1.125	1-3/8	6.219	2.622	9/16	UG310-31	P-U310	16.66
2-3/16	UGPU311-35	635.40	3-1/2	12-41/64	9-49/64	10-49/64	3.386	0.787	1.250	1-1/2	6.811	2.874	3/4	UG311-35	P-U311	21.08
2-7/16	UGPU312-39	809.10	3-5/8	13-3/4	10-5/8	11-7/8	3.500	0.787	1.375	1-5/8	7.197	3.126	3/4	UG312-39	P-U312	30.20
2-11/16	UGPU314-43	1167.60	4	14-5/8	11-5/64	12-35/64	3.750	1.024	1.614	1-3/4	7.938	3.626	7/8	UG314-43	P-U314	34.76
2-15/16 3	UGPU315-47 UGPU315-48	1303.80	4-1/4	15-1/8	11-1/4	12-3/4	4.000	1.024	1.654	1-3/4	8.295	3.937	7/8	UG315-47 UG315-48	P-U315	39.32
Dimensions (mm)																
45	UGPU309	414.80	73.0	261	194	225	76	16	28.5	33.3	143.0	58.7	M14	UG309	P-U309	10.36
50	UGPU310	496.10	79.4	283	210	242	80	16	28.5	35	158.0	66.6	M14	UG310	P-U310	14.30
55	UGPU311	635.40	88.9	321	248	273	86	20	32	38	173.0	73.0	M18	UG311	P-U311	17.53
60	UGPU312	809.10	92.1	349.2	270	302	88.9	20	35	41.3	182.8	79.4	M18	UG312	P-U312	20.98
70	UGPU314	1167.60	101.6	371.5	281	319	95.2	26	41	44.4	201.6	92.1	M24	UG314	P-U314	26.47
75	UGPU315	1303.80	108.0	384.2	286	324	101.8	26	42	44.4	210.7	100.0	M24	UG315	P-U315	32.17

Lubrication fitting tap size 1/8-27 NPT

INTERCHANGES: P-Y3



Set-Screw Locking
Wide Inner Ring
Cast Iron Housing
Insert detail-pg.124
Inch and Metric

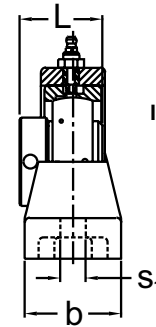
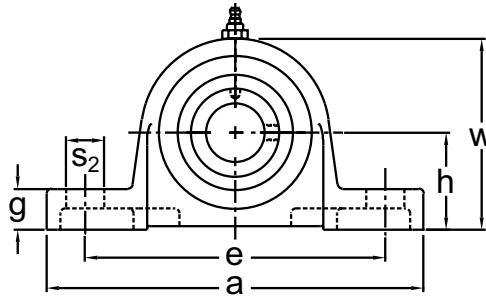
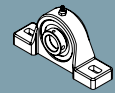


Shaft Diam (in)	AMI Unit #	List Price	Dimensions (in.)										Bolt Size (in.)	Bearing #	Housing #	Weight (lb.)	
			h	a	e		b	s ₁	s ₂	g	w	Bi					
					Min.	Max.											
1-3/16	UCPU306-19	233.20	2-1/8	8-1/4	5-7/8	7	2.250	0.551	1.063	15/16	4.250	1.693	1/2	UC306-19	P-U306	6.63	
1-1/4	UCPU307-20	248.90	2-3/8	9-1/4	6-47/64	7-63/64	2.362	0.625	1.125	1	4.685	1.890	9/16	UC307-20	P-U307	7.66	
1-7/16	UCPU307-23													UC307-23			
1-11/16	UCPU309-27	351.40	2-7/8	10-1/4	7-5/8	8-7/8	3.000	0.625	1.125	1-5/16	5.625	2.244	9/16	UC309-27	P-U309	12.28	
1-3/4	UCPU309-28													UC309-28			
1-7/8	UCPU310-30	417.40	3-1/8	11-9/64	8-17/64	9-33/64	3.150	0.625	1.125	1-3/8	6.219	2.402	9/16	UC310-30	P-U310	16.02	
1-15/16	UCPU310-31													UC310-31			
2	UCPU311-32	523.80	3-1/2	12-41/64	9-49/64	10-49/64	3.386	0.787	1.250	1-1/2	6.811	2.598	3/4	UC311-32	P-U311	20.52	
2-3/16	UCPU311-35													UC311-35			
2-7/16	UCPU312-39	638.50	3-5/8	13-3/4	10-5/8	11-7/8	3.500	0.787	1.375	1-5/8	7.197	2.795	3/4	UC312-39	P-U312	29.72	
2-11/16	UCPU314-43	870.20	4	14-5/8	11-5/64	12-35/64	3.750	1.024	1.614	1-3/4	7.938	3.071	7/8	UC314-43	P-U314	33.42	
2-3/4	UCPU314-44													UC314-44			
2-15/16	UCPU315-47	1181.30	4-1/4	15-1/8	11-1/4	12-3/4	4.000	1.024	1.654	1-3/4	8.295	3.228	7/8	UC315-47	P-U315	37.12	
3	UCPU315-48													UC315-48			
3-3/16	UCPU316-51	1323.90	4-9/16	15-25/64	11-1/2	13	4.173	1.063	1.614	1-59/64	9.016	3.386	1	UC316-51	P-U316	40.30	
3-7/16	UCPU318-55	2402.25	5-1/8	16-9/64	12-1/8	13-5/8	5.000	1.063	1.614	2-1/4	10.079	3.780	1	UC318-55	P-U318	60.30	
3-1/2	UCPU318-56													UC318-56			
3-15/16	UCPU320-63	3134.70	5-11/16	17-21/64	13-7/8	15-1/8	5.000	1.063	1.496	2-9/16	11.063	4.252	1	UC320-63	P-U320	78.70	
4	UCPU320-64													UC320-64			
Dimensions (mm)																	
30	UCPU306	233.20	54.0	210	149	178	57.2	14	27	23.8	108.0	43	M12	UC306	P-U306	6.65	
35	UCPU307	248.90	60.3	235	171	203	60	16	28.5	25.4	119.0	48	M14	UC307	P-U307	7.68	
45	UCPU309	351.40	73.0	261	194	225	76	16	28.5	33.3	143.0	57	M14	UC309	P-U309	12.31	
50	UCPU310	417.40	79.4	283	210	242	80	16	28.5	35	158.0	61	M14	UC310	P-U310	16.06	
55	UCPU311	523.80	88.9	321	248	273	86	20	32	38	173.0	66	M18	UC311	P-U311	20.58	
60	UCPU312	638.50	92.1	349	270	302	88.9	20	35	41.3	182.8	71	M20	UC312	P-U312	29.79	
70	UCPU314	870.20	101.6	372	281	319	95.2	26	41	44.4	201.6	78		UC314	P-U314	33.55	
75	UCPU315	1181.30	108	384	286	324	101.8	26	42	44.4	210.7	82	M24	UC315	P-U315	37.30	
80	UCPU316	1323.90	115.9	391	292	330	106	27	41	49	229	86		UC316	P-U316	40.30	
90	UCPU318	2402.25	130.2	410	308	346	127	27	41	57	256	96		UC318	P-U318	60.30	
100	UCPU320	3134.70	144.5	440	352	384	127	27	38	65	281	108	M24	UC320	P-U320	78.70	

Lubrication fitting tap size 1/8-27 NPT

INTERCHANGES: P-U3

HEAVY DUTY



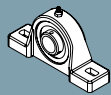
Eccentric Locking
Wide Inner Ring
Cast Iron Housing
Expansion Type
Insert detail-pg.125
Inch and Metric

HEAVY DUTY

Shaft Diam (in.)	AMI Unit #	List Price	Dimensions (in.)										Bolt Size (in.)	Bearing #	Housing #	Weight (lb.)
			h	a	e		b	s ₁	s ₂	g	w	L				
					Min.	Max.										
1-7/16	UGPEU307-23	463.10	2-3/8	9-1/4	6-47/64	7-63/64	2.362	0.625	1.125	1	4.685	2.031	9/16	UG207-23	PE-U307	6.13
1-11/16	UGPEU309-27	582.00	2-7/8	10-1/4	7-5/8	8-7/8	3.000	0.625	1.125	1-5/16	5.625	2.311	9/16	UG309-27	PE-U309	10.36
1-15/16	UGPEU310-31	695.60	3-1/8	11-9/64	8-17/64	9-33/64	3.150	0.625	1.125	1-3/8	6.219	2.622	9/16	UG310-31	PE-U310	14.30
2-3/16	UGPEU311-35	873.00	3-1/2	12-41/64	9-49/64	10-49/64	3.386	0.787	1.250	1-1/2	6.811	2.874	3/4	UG311-35	PE-U311	17.53
2-7/16	UGPEU312-39	1036.40	3-5/8	13-3/4	10-5/8	11-7/8	3.500	0.787	1.375	1-5/8	7.197	3.126	3/4	UG312-39	PE-U312	20.98
2-11/16	UGPEU314-43	1314.50	4	14-5/8	11-5/64	12-35/64	3.750	1.024	1.614	1-3/4	7.938	3.626	7/8	UG314-43	PE-U314	26.47
2-15/16 3	UGPEU315-47 UGPEU315-48	1645.90	4-1/4	15-1/8	11-1/4	12-3/4	4.000	1.024	1.654	1-3/4	8.295	3.937	7/8	UG315-47 UG315-48	PE-U315	32.17
Dimensions (mm)																
45	UGPEU309	582.00	73.0	261	194	225	76	16	28.5	33.3	143.0	58.7	M14	UG309	PE-U309	10.36
50	UGPEU310	695.60	79.4	283	210	242	80	16	28.5	35	158.0	66.6	M14	UG310	PE-U310	14.30
55	UGPEU311	873.00	88.9	321	248	273	86	20	32	38	173.0	73.0	M18	UG311	PE-U311	17.53
60	UGPEU312	1036.40	92.1	349.2	270	302	88.9	20	35	41.3	182.8	79.4	M18	UG312	PE-U312	20.98
70	UGPEU314	1314.50	101.6	371.5	281	319	95.2	26	41	44.4	201.6	92.1	M24	UG314	PE-U314	26.47
75	UGPEU315	1645.90	108.0	384.2	286	324	101.8	26	42	44.4	210.7	100.0	M24	UG315	PE-U315	32.17

Lubrication fitting tap size 1/8-27 NPT

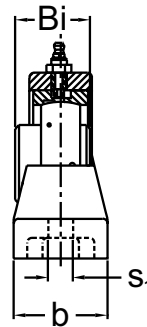
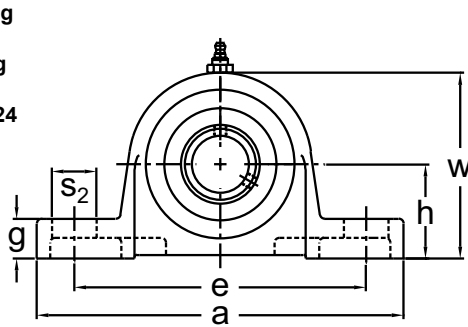
INTERCHANGES: PE-Y3



EXPANSION PILLOW BLOCKS

UCPE-U 300

Set-Screw Locking
Wide Inner Ring
Cast Iron Housing
Expansion Type
Insert detail-pg.124
Inch and Metric

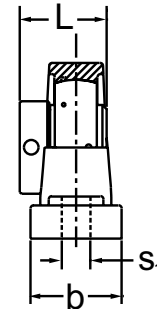
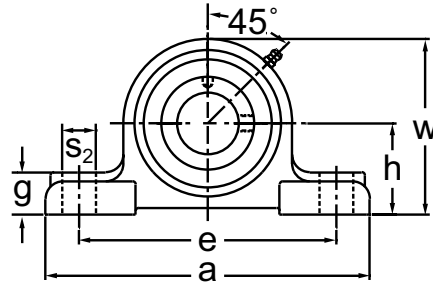
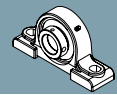


Shaft Diam (in.)	AMI Unit #	List Price	Dimensions (in.)										Bolt Size (in.)	Bearing #	Housing #	Weight (lb.)
			h	a	e		b	s ₁	s ₂	g	w	Bi				
					Min.	Max.										
1-1/4	UCPEU307-20	414.00	2-3/8	9-1/4	6-47/64	7-63/64	2.362	0.625	1.125	1	4.685	1.890	9/16	UC307-20	PE-U307	7.80
1-7/16	UCPEU307-23															
1-11/16	UCPEU309-27	518.60	2-7/8	10-1/4	7-5/8	8-7/8	3.000	0.625	1.125	1-5/16	5.625	2.244	9/16	UC309-27	PE-U309	12.10
1-3/4	UCPEU309-28															
1-7/8	UCPEU310-30	616.90	3-1/8	11-9/64	8-17/64	9-33/64	3.150	0.625	1.125	1-3/8	6.219	2.402	9/16	UC310-30	PE-U310	15.74
1-15/16	UCPEU310-31															
2	UCPEU311-32	761.40	3-1/2	12-41/64	9-49/64	10-49/64	3.386	0.787	1.250	1-1/2	6.811	2.598	3/4	UC311-32	PE-U311	20.62
2-3/16	UCPEU311-35															
2-7/16	UCPEU312-39	865.80	3-5/8	13-3/4	10-5/8	11-7/8	3.500	0.787	1.375	1-5/8	7.197	2.795	3/4	UC312-39	PE-U312	25.59
2-11/16	UCPEU314-43	1030.50	4	14-5/8	11-5/64	12-35/64	3.750	1.024	1.614	1-3/4	7.938	3.071	7/8	UC314-43	PE-U314	31.42
2-3/4	UCPEU314-44															
2-15/16	UCPEU315-47	1523.40	4-1/4	15-1/8	11-1/4	12-3/4	4.000	1.024	1.654	1-3/4	8.295	3.228	7/8	UC315-47	PE-U315	36.76
3	UCPEU315-48															
3-3/16	UCPEU316-51	1884.10	4-9/16	15-25/64	11-1/2	13	4.173	1.063	1.614	1-59/64	9.016	3.386	1	UC316-51	PE-U316	36.94
3-7/16	UCPEU318-55	2805.75	5-1/8	16-9/64	12-1/8	13-5/8	5.000	1.063	1.614	2-1/4	10.079	3.780	1	UC318-55	PE-U318	60.30
3-1/2	UCPEU318-56															
3-15/16	UCPEU320-63	3461.60	5-11/16	17-21/64	14	15	5.000	1.063	1.496	2-9/16	11.063	4.252	1	UC320-63	PE-U320	73.75
4	UCPEU320-64															
Dimensions (mm)																
35	UCPEU307	414.00	60.3	235	171	203	60	16	28.5	25.4	119.0	48		UC307	PE-U307	7.82
45	UCPEU309	518.60	73.0	261	194	225	76	16	28.5	33.3	143.0	57	M14	UC309	PE-U309	12.13
50	UCPEU310	616.90	79.4	283	210	242	80	16	28.5	35	158.0	61		UC310	PE-U310	15.78
55	UCPEU311	761.40	88.9	321	248	273	86	20	32	38	173.0	66	M18	UC311	PE-U311	20.68
60	UCPEU312	865.80	92.1	349	270	302	88.9	20	35	41.3	182.8	71	M18	UC312	PE-U312	25.66
70	UCPEU314	1030.50	101.6	372	281	319	95.2	26	41	44.4	201.6	78	M24	UC314	PE-U314	31.52
75	UCPEU315	1523.40	108	384	286	324	101.8	26	42	44.4	210.7	82		UC315	PE-U315	36.76
80	UCPEU316	1884.10	115.9	391	292	330	106	27	41	49	229	86	M24	UC316	PE-U316	36.94
90	UCPEU318	2805.75	130.2	410	308	346	127	27	41	57	256	96		UC318	PE-U318	60.30
100	UCPEU320	3461.60	144.5	440	356	381	127	27	38	65	281	108	M24	UC320	PE-U320	73.75

Lubrication fitting tap size 1/8-27 NPT

INTERCHANGES: PE-U3

HEAVY DUTY



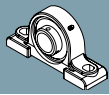
Eccentric Locking
Wide Inner Ring
Cast Iron Housing
Insert detail-pg.125
Inch and Metric

HEAVY DUTY

Shaft Diam (in.)	AMI Unit #	List Price	Dimensions (in.)										Bolt Size (in.)	Bearing #	Housing #	Weight (lb.)
			h	a	e		b	s ₁	s ₂	g	w	L				
					Min.	Max.										
1-7/16	UGAO307-23	272.60	2-1/8	7-9/16	5.713	6.287	2-1/8	0.669	0.787	63/64	4-3/32	2.031	1/2	UG307-23	AO307	5.68
1-1/2	UGAO308-24	324.50	2-3/8	8-1/2	6.351	7.149	2-13/32	0.787	1.024	1-1/16	4-21/32	2.248	5/8	UG308-24	AO308	8.18
1-11/16	UGAO309-27	376.10	2-5/8	9-7/16	7.101	7.899	2-41/64	0.787	1.024	1-3/16	5-1/8	2.311	5/8	UG309-27	AO309	10.70
1-15/16	UGAO310-31	452.80	2-13/16	10-7/16	7.851	8.649	2-61/64	0.787	1.024	1-19/64	5-19/32	2.622	5/8	UG310-31	AO310	14.78
2-3/16	UGAO311-35	573.00	3-1/16	11-5/16	8.608	9.392	3-9/64	0.906	1.142	1-1/2	6-1/32	2.874	3/4	UG311-35	AO311	18.08
2-7/16	UGAO312-39	721.60	3-5/16	12-19/64	9.358	10.142	3-5/16	0.906	1.142	1-37/64	6-17/32	3.126	3/4	UG312-39	AO312	22.71
2-11/16	UGAO314-43	1085.40	3-13/16	14-11/64	10.786	11.714	3-25/32	1.024	1.339	1-13/16	7-9/16	3.626	7/8	UG314-43	AO314	34.88
2-15/16 3	UGAO315-47 UGAO315-48	1135.10	4-1/8	15-1/8	11.536	12.464	4-1/16	1.024	1.339	1-59/64	8-5/64	3.937	7/8	UG315-47 UG315-48	AO315	43.22
Dimensions (mm)																
45	UGAO309	376.10	66.7	240	180	201	67	20	26	30	130	58.7	M16	UG309	AO309	10.70
50	UGAO310	452.80	71.4	265	199	220	75	20	26	33	142	66.6	M16	UG310	AO310	14.78
55	UGAO311	573.00	77.8	287	219	239	80	23	29	38	153	73.0	M20	UG311	AO311	18.08
60	UGAO312	721.60	84.1	312	238	258	84	23	29	40	166	79.4	M20	UG312	AO312	22.71
70	UGAO314	1085.40	96.8	360	274	298	96	26	34	46	192	92.1	M22	UG314	AO314	34.88
75	UGAO315	1135.10	104.8	384	293	317	103	26	34	49	205	100.0	M22	UG315	AO315	43.22

Lubrication fitting tap size 1/8-27 NPT

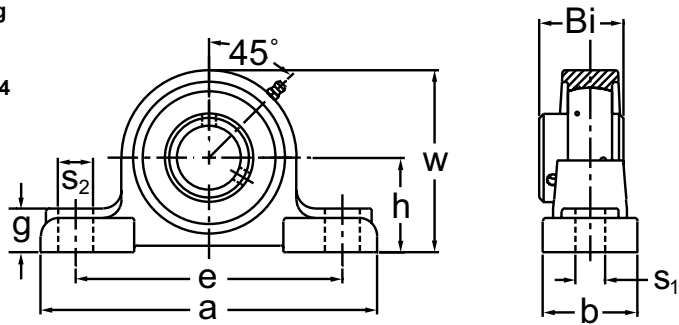
INTERCHANGES: RAO PLY3-N



PILLOW BLOCKS

UCAO 300

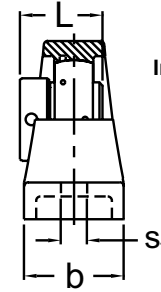
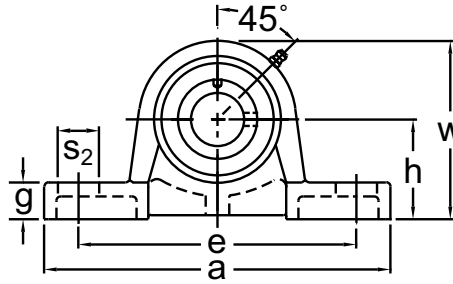
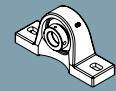
**Set-Screw Locking
Wide Inner Ring
Cast Iron Housing
Insert detail-pg.124
Inch and Metric**



Shaft Diam (in.)	AMI Unit #	List Price	Dimensions (in.)										Bolt Size (in.)	Bearing #	Housing #	Weight (lb.)	
			h	a	e		b	s ₁	s ₂	g	w	Bi					
					Min.	Max.											
1-3/16	UCAO306-19	211.40	1-7/8	6-13/16	5.088	5.662	1-59/64	0.669	0.787	29/32	3-25/32	1.693	1/2	UC306-19	AO306	4.11	
1-1/4	UCAO307-20	223.50	2-1/8	7-9/16	5.713	6.287	2-1/8	0.669	0.787	63/64	4-3/32	1.890	1/2	UC307-20	AO307	5.50	
1-7/16	UCAO307-23													UC307-23			
1-1/2	UCAO308-24	262.70	2-3/8	8-1/2	6.351	7.149	2-13/32	0.787	1.024	1-1/16	4-21/32	2.047	5/8	UC308-24	AO308	7.82	
1-11/16	UCAO309-27	312.70	2-5/8	9-7/16	7.101	7.899	2-41/64	0.787	1.024	1-3/16	5-1/8	2.244	5/8	UC309-27	AO309	10.26	
1-3/4	UCAO309-28													UC309-28			
1-7/8	UCAO310-30	374.10	2-13/16	10-7/16	7.851	8.649	2-61/64	0.787	1.024	1-19/64	5-19/32	2.402	5/8	UC310-30	AO310	14.14	
1-15/16	UCAO310-31													UC310-31			
2	UCAO311-32	461.40	3-1/16	11-5/16	8.608	9.392	3-9/64	0.906	1.142	1-1/2	6-1/32	2.598	3/4	UC311-32	AO311	17.52	
2-3/16	UCAO311-35													UC311-35			
2-7/16	UCAO312-39	551.00	3-5/16	12-19/64	9.358	10.142	3-5/16	0.906	1.142	1-37/64	6-17/32	2.795	3/4	UC312-39	AO312	22.23	
2-11/16	UCAO314-43	963.40	3-13/16	14-11/64	10.786	11.714	3-25/32	1.024	1.339	1-13/16	7-9/16	3.071	7/8	UC314-43	AO314	33.54	
2-3/4	UCAO314-44													UC314-44			
2-15/16	UCAO315-47	1012.60	4-1/8	15-1/8	11.536	12.464	4-1/16	1.024	1.339	1-59/64	8-5/64	3.228	7/8	UC315-47	AO315	41.02	
3	UCAO315-48													UC315-48			
Dimensions (mm)																	
30	UCAO306	211.40	47.6	173	129	144	49	17	20	23	96	43	M14	UC306	AO306	4.13	
35	UCAO307	223.50	54.0	192	145	160	54	17	20	25	104	48	M14	UC307	AO307	5.52	
40	UCAO308	262.70	60.3	216	161	182	61	20	26	27	118	52	M16	UC308	AO308	7.85	
45	UCAO309	312.70	66.7	240	180	201	67	20	26	30	130	57	M16	UC309	AO309	10.29	
50	UCAO310	374.10	71.4	265	199	220	75	20	26	33	142	61	M16	UC310	AO310	14.18	
55	UCAO311	461.40	77.8	287	219	239	80	23	29	38	153	66	M20	UC311	AO311	17.58	
60	UCAO312	551.00	84.1	312	238	258	84	23	29	40	166	71	M20	UC312	AO312	22.30	
70	UCAO314	963.40	96.8	360	274	298	96	26	34	46	192	78	M22	UC314	AO314	33.64	
75	UCAO315	1012.60	104.8	384	293	317	103	26	34	49	205	82	M22	UC315	AO315	41.20	

Lubrication fitting tap size 1/8-27 NPT

HEAVY DUTY



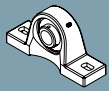
Eccentric Locking
Wide Inner Ring
Cast Iron Housing
Insert detail-pg.125
Inch and Metric

HEAVY DUTY

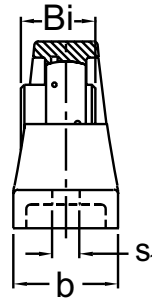
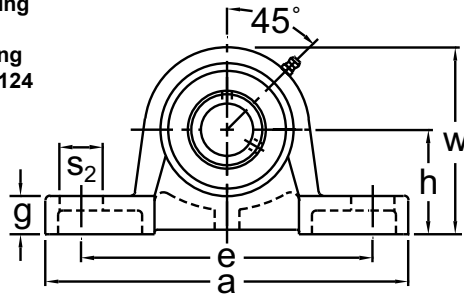
Shaft Diam (in.)	AMI Unit #	List Price	Dimensions (in.)										Bolt Size (in.)	Bearing #	Housing #	Weight (lb.)
			h	a	e		b	s ₁	s ₂	g	w	L				
					Min.	Max.										
1-7/16	UGSAO307-23	298.40	2-3/4	10-5/8	7.789	8.743	2-3/4	0.750	1.102	15/16	4-13/16	2.031	5/8	UG307-23	SAO307	8.04
1-1/2	UGSAO308-24	358.00	3-1/8	11-3/8	8.500	9.532	3-1/8	0.750	1.141	1-3/16	5-45/64	2.248	5/8	UG308-24	SAO308	12.40
1-11/16	UGSAO309-27	416.90	3-1/8	11-3/8	8.500	9.532	3-1/8	0.750	1.141	1-3/16	5-45/64	2.311	5/8	UG309-27	SAO309	12.50
1-15/16	UGSAO310-31	476.40	3-1/8	11-3/8	8.500	9.532	3-1/8	0.750	1.141	1-19/64	5-53/64	2.622	5/8	UG310-31	SAO310	16.11
2-3/16	UGSAO311-35	637.70	3-3/4	12-19/32	9.500	11.000	3-1/2	0.875	1.375	1-13/32	6-45/64	2.874	3/4	UG311-35	SAO311	19.72
2-7/16	UGSAO312-39	796.00	4-1/8	13-3/4	10.625	11.875	4	0.875	1.375	1-1/2	7-21/64	3.126	3/4	UG312-39	SAO312	30.89
2-11/16	UGSAO314-43	1147.10	4-9/16	15-23/64	11.500	12.500	4-3/8	0.984	1.375	1-3/4	8-1/4	3.626	7/8	UG314-43	SAO314	36.51
2-15/16 3	UGSAO315-47 UGSAO315-48	1258.70	4-9/16	15-23/64	11.343	13.375	4-3/8	0.984	1.891	1-57/64	8-45/64	3.937	7/8	UG315-47 UG315-48	SAO315	42.06
Dimensions (mm)																
45	UGSAO309	416.90	79.4	289	216	242	79	19	29	30	145	58.7	M16	UG309	SAO309	10.36
50	UGSAO310	476.40	79.4	289	216	242	79	19	29	33	148	66.6	M16	UG310	SAO310	14.30
55	UGSAO311	637.70	95.2	320	241	279	89	22	35	36	170	73.0	M20	UG311	SAO311	17.53
60	UGSAO312	796.00	104.8	349	270	302	101	22	35	38	186	79.4	M20	UG312	SAO312	20.98
70	UGSAO314	1147.10	115.9	390	292	318	111	25	35	44	210	92.1	M22	UG314	SAO314	26.47
75	UGSAO315	1258.70	115.9	390	288	340	111	25	48	48	221	100.0	M22	UG315	SAO315	32.17

Lubrication fitting tap size 1/8-27 NPT

INTERCHANGES: **RSAO** **P2U3**



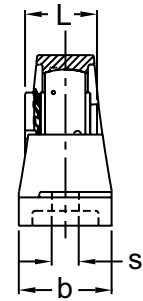
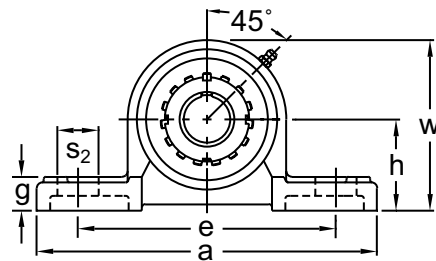
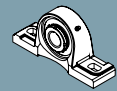
Set-Screw Locking
Wide Inner Ring
Cast Iron Housing
Insert detail-pg.124
Inch and Metric



Shaft Diam (in.)	AMI Unit #	List Price	Dimensions (in.)										Bolt Size (in.)	Bearing #	Housing #	Weight (lb.)
			h	a	e		b	s ₁	s ₂	g	w	Bi				
					Min.	Max.										
1-3/16	UCSAO306-19	190.20	2-3/8	8-1/4	6.141	7.109	2-3/8	0.625	0.984	7/8	4-1/4	1.693	1/2	UC306-19	SAO306	5.65
1-1/4	UCSAO307-20	249.30	2-3/4	10-5/8	7.789	8.743	2-3/4	0.750	1.102	15/16	4-13/16	1.890	5/8	UC307-20	SAO307	7.86
1-7/16	UCSAO307-23													UC307-23		
1-1/2	UCSAO308-24	296.20	3-1/8	11-3/8	8.500	9.532	3-1/8	0.750	1.141	1-3/16	5-45/64	2.047	5/8	UC308-24	SAO308	12.04
1-11/16	UCSAO309-27	353.50	3-1/8	11-3/8	8.500	9.532	3-1/8	0.750	1.141	1-3/16	5-45/64	2.244	5/8	UC309-27	SAO309	12.06
1-3/4	UCSAO309-28													UC309-28		
1-7/8	UCSAO310-30	397.70	3-1/8	11-3/8	8.500	9.532	3-1/8	0.750	1.141	1-19/64	5-53/64	2.402	5/8	UC310-30	SAO310	15.47
1-15/16	UCSAO310-31													UC310-31		
2	UCSAO311-32	526.10	3-3/4	12-19/32	9.500	11.000	3-1/2	0.875	1.375	1-13/32	6-45/64	2.598	3/4	UC311-32	SAO311	19.16
2-3/16	UCSAO311-35													UC311-35		
2-7/16	UCSAO312-39	625.40	4-1/8	13-3/4	10.625	11.875	4	0.875	1.375	1-1/2	7-21/64	2.795	3/4	UC312-39	SAO312	30.41
2-11/16	UCSAO314-43	1068.85	4-9/16	15-23/64	11.500	12.500	4-3/8	0.984	1.375	1-3/4	8-1/4	3.071	7/8	UC314-43	SAO314	35.17
2-3/4	UCSAO314-44													UC314-44		
2-15/16	UCSAO315-47	1136.20	4-9/16	15-23/64	11.343	13.375	4-3/8	0.984	1.891	1-57/64	8-45/64	3.228	7/8	UC315-47	SAO315	39.86
3	UCSAO315-48													UC315-48		
3-3/16	UCSAO316-51	1566.60	4-9/16	15-23/64	11.343	13.375	4-3/8	0.984	1.891	1-59/64	8-25/32	3.386	7/8	UC316-51	SAO316	40.03
3-7/16	UCSAO318-55	2350.60	5-1/8	16-7/64	12.603	14.147	4-3/4	1.142	1.772	2-1/4	9-7/8	3.780	1	UC318-55	SAO318	53.86
3-1/2	UCSAO318-56	1771.40												UC318-56		
3-15/16	UCSAO320-63	2649.90	5-11/16	17-21/64	14.018	15.482	5-1/8	1.142	1.732	2-9/16	11-1/16	4.252	1	UC320-63	SAO320	74.70
4	UCSAO320-64													UC320-64		
Dimensions (mm)																
30	UCSAO306	190.20	60.3	209	156	181	60	16	25	22	108	43	M14	UC306	SAO306	5.67
35	UCSAO307	249.30	69.8	270	198	222	70	19	28	24	122	48	M16	UC307	SAO307	7.88
40	UCSAO308	296.20	79.4	289	216	242	79	19	29	30	145	52	M16	UC308	SAO308	12.07
45	UCSAO309	353.50	79.4	289	216	242	79	19	29	30	145	57	M16	UC309	SAO309	12.09
50	UCSAO310	397.70	79.4	289	216	242	79	19	29	33	148	61	M16	UC310	SAO310	15.51
55	UCSAO311	526.10	95.2	320	241	279	89	22	35	36	170	66	M20	UC311	SAO311	19.22
60	UCSAO312	625.40	104.8	349	270	302	101	22	35	38	186	71	M20	UC312	SAO312	30.48
70	UCSAO314	1068.85	115.9	390	292	318	111	25	35	44	210	78	M22	UC314	SAO314	35.27
75	UCSAO315	1136.20	115.9	390	288	340	111	25	48	48	221	82	M22	UC315	SAO315	40.04
80	UCSAO316	1566.60	115.9	390	288	340	111	25	48	49	223	86	M22	UC316	SAO316	40.23
90	UCSAO318	1771.40	130.2	409	320	359	120	29	45	57	251	96	M27	UC318	SAO318	54.08
100	UCSAO320	2649.90	144.5	440	356	393	130	29	44	65	281	108	M27	UC320	SAO320	75.00

Lubrication fitting tap size 1/8-27 NPT

HEAVY DUTY



Tapered Adapter Sleeve
Wide Inner Ring
Cast Iron Housing
Insert detail-pg.126
Inch and Metric

HEAVY DUTY

Shaft Diam (in.)	AMI Unit #	List Price	Dimensions (in.)										Bolt Size (in.)	Bearing #	Housing #	Weight (lb.)	
			h	a	e		b	s ₁	s ₂	g	w	L					
					Min.	Max.											
3/4	UKP305+HE2305	166.20	1-49/64	6-7/8	4-31/32	5-17/32	1-3/4	21/32	25/32	43/64	3-1/4	1.378	1/2	UK305+HE2305	P305	3.57	
7/8	UKP306+HS2306	204.50	1-31/32	7-1/16	5-7/32	5-25/32	2	21/32	25/32	7/8	3-11/16	1.496	1/2	UK306+HS2306	P306	4.24	
15/16	UKP306+HA2306													UK306+HA2306			
1	UKP306+HE2306																
1-1/8	UKP307+HS2307	242.00	2-13/64	8-1/4	5-3/4	6-3/4	2-1/4	21/32	1	7/8	4-1/8	1.693	1/2	UK307+HS2307	P307	6.02	
1-3/16	UKP307+HA2307													UK307+HA2307			
1-1/4	UKP308+HE2308	287.00	2-23/64	8-11/16	6-3/16	7-5/16	2-3/8	21/32	1-1/16	63/64	4-9/16	1.811	1/2	UK308+HE2308	P308	6.69	
1-5/16	UKP308+HA2308													UK308+HA2308			
1-3/8	UKP308+HS2308													UK308+HS2308			
1-7/16	UKP309+HA2309	356.70	2-41/64	9-5/8	6-15/16	8-1/16	2-5/8	25/32	1-3/16	1	5-1/32	1.969	5/8	UK309+HA2309	P309	10.30	
1-1/2	UKP309+HE2309													UK309+HE2309			
1-5/8	UKP309+HS2309													UK309+HS2309			
1-11/16	UKP310+HA2310	455.40	2-61/64	10-13/16	7-5/8	9-1/8	3-1/16	25/32	1-3/8	1-3/16	5-5/8	2.165	5/8	UK310+HA2310	P310	13.90	
1-3/4	UKP310+HE2310													UK310+HE2310			
1-7/8	UKP311+HS2311	565.50	3-5/32	12-3/16	8-3/8	10-1/8	3-1/8	25/32	1-1/2	1-7/32	6-1/16	2.323	5/8	UK311+HS2311	P311	17.70	
1-15/16	UKP311+HA2311													UK311+HA2311			
2	UKP311+HE2311													UK311+HE2311			
2-1/16	UKP312+HA2312	671.00	3-11/32	13-5/32	9-1/8	10-5/8	3-3/8	1	1-1/2	1-27/64	6-1/2	2.441	3/4	UK312+HA2312	P312	20.80	
2-1/8	UKP312+HS2312													UK312+HS2312			
2-3/16	UKP313+HA2313	762.00	3-35/64	13-3/8	9-1/2	11	3-1/2	1	1-1/2	1-37/64	6-27/32	2.559	3/4	UK313+HA2313	P313	21.90	
2-1/4	UKP313+HE2313													UK313+HE2313			
2-3/8	UKP313+HS2313													UK313+HS2313			
2-7/16	UKP315+HA2315	1065.00	3-15/16	15-5/64	10-11/16	12-1/16	3-7/8	1-1/16	1-9/16	1-37/64	7-59/64	2.874	7/8	UK315+HA2315	P315	30.60	
2-1/2	UKP315+HE2315													UK315+HE2315			
2-11/16	UKP316+HA2316	1225.00	4-11/64	15-3/4	11-1/16	12-7/16	4-3/8	1-1/16	1-9/16	1-25/32	8-7/32	3.071	7/8	UK316+HA2316	P316	37.10	
2-3/4	UKP316+HE2316													UK316+HE2316			
2-15/16	UKP317+HA2317	1480.00	4-13/32	16-9/16	11-27/32	13-13/32	4-3/8	1-5/16	1-25/32	1-45/64	8-11/16	3.228	1	UK317+HA2317	P317	41.50	
3	UKP317+HE2317													UK317+HE2317			
3-1/8	UKP318+HS2318	1634.00	4-41/64	16-15/16	12-7/32	13-25/32	4-3/8	1-5/16	1-45/64	1-31/32	9-1/4	3.386	1	UK318+HS2318	P318	47.10	
3-3/16	UKP318+HA2318													UK318+HA2318			
3-1/4	UKP319+HE2319	2015.00	4-59/64	18-1/2	13-19/32	14-31/32	4-3/4	1-1/2	1-31/32	2-3/64	10	3.543	1-1/8	UK319+HE2319	P319	59.10	
3-7/16	UKP320+HA2320	2350.00	5-33/64	19-5/16	14-5/32	15-27/32	4-3/4	1-13/32	1-31/32	2-11/64	10-29/32	3.819	1-1/8	UK320+HA2320	P320	76.50	
3-1/2	UKP320+HE2320													UK320+HE2320			
4	UKP322+HE2322	3178.00	5-29/32	20-11/16	14-7/8	16-5/8	5-1/2	1-9/16	2-5/32	2-1/4	11-45/64	4.134	1-1/4	UK322+HE2322	P322	95.00	
Dimensions (mm)																	
20	UKP305+H2305	166.20	45	175	126	141	45	17	20	17	83	35		UK305+H2305	P305	3.57	
25	UKP306+H2306	204.50	50	180	133	147	50	17	20	22	94	38	M14	UK306+H2306	P306	4.24	
30	UKP307+H2307	242.00	56	210	146	172	56	17	25	22	105	43		UK307+H2307	P307	6.02	
35	UKP308+H2308	287.00	60	220	157	186	60	17	27	25	116	46	M14	UK308+H2308	P308	6.69	
40	UKP309+H2309	356.70	67	245	176	205	67	20	30	26	128	50	M16	UK309+H2309	P309	10.3	
45	UKP310+H2310	455.40	75	275	194	232	78	20	35	30	143	55	M16	UK310+H2310	P310	13.9	
50	UKP311+H2311	565.50	80	310	213	257	80	20	38	31	154	59	M16	UK311+H2311	P311	17.7	
55	UKP312+H2312	671.00	85	334	232	270	85	25	38	36	165	62	M20	UK312+H2312	P312	20.8	
60	UKP313+H2313	762.00	90	340	241	279	90	25	38	40	174	65	M20	UK313+H2313	P313	21.9	
65	UKP315+H2315	1065.00	100	383	272	306	100	27	40	40	201	73	M22	UK315+H2315	P315	30.6	
70	UKP316+H2316	1225.00	106	400	281	316	110	27	40	45	209	78	M22	UK316+H2316	P316	37.1	
75	UKP317+H2317	1480.00	112	420	301	341	110	33	45	43	221	82	M27	UK317+H2317	P317	41.5	
80	UKP318+H2318	1634.00	118	430	310	350	110	33	43	50	235	86	M27	UK318+H2318	P318	47.1	
85	UKP319+H2319	2015.00	125	470	337	380	120	38	50	52	255	90	M30	UK319+H2319	P319	59.1	
90	UKP320+H2320	2350.00	140	490	360	402	120	36	50	55	277	97	M30	UK320+H2320	P320	76.5	
100	UKP322+H2322	3178.00	150	525	378	422	140	40	55	57	297	105		UK322+H2322	P322	95.0	
110	UKP324+H2324	4122.00	160	565	428	472	140	40	55	67	320	112	M33	UK324+H2324	P324	118.2	
115	UKP326+H2326	5430.00	180	600	458	502	140	40	55	80	355	121		UK326+H2326	P326	161.5	
125	UKP328+H2328	6695.00	200	615	478	522	140	40	55	80	390	131	M33	UK328+H2328	P328	199.4	

Lubrication fitting tap size 1/8-27 NPT

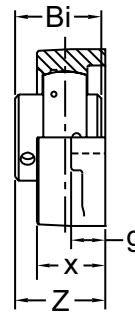
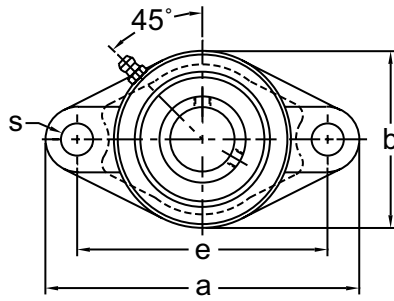
INTERCHANGES: UKP3



TWO-BOLT FLANGE UNITS

UCFL 300

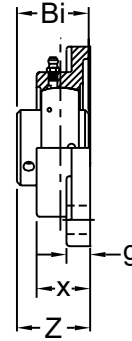
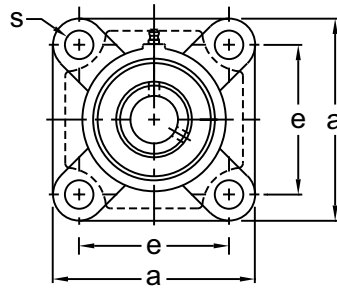
**Set-Screw Locking
Wide Inner Ring
Cast Iron Housing
Insert detail-pg.124
Inch and Metric**



Shaft Diam. (in.)	AMI Unit #	List Price	Dimensions (in.)								Bolt Size (in.)	Bearing #	Housing #	Weight (lb.)
			a	e	g	x	s	b	Z	Bi				
1	UCFL305-16	115.10	5-7/8	4-29/64	1/2	1-5/32	3/4	3-5/32	1.535	1.496	5/8	UC305-16	FL305	2.45
1-3/16	UCFL306-19	160.30	7-1/8	5-9/32	19/32	1-1/4	29/32	3-35/64	1.732	1.693	3/4	UC306-19	FL306	3.35
1-1/4	UCFL307-20	195.40	7-5/16	5-35/64	5/8	1-13/32	29/32	3-15/16	1.929	1.890	3/4	UC307-20	FL307	4.01
1-7/16	UCFL307-23											UC307-23		
1-1/2	UCFL308-24	227.40	7-7/8	6-7/32	21/32	1-9/16	29/32	4-13/32	2.205	2.047	3/4	UC308-24	FL308	5.35
1-11/16	UCFL309-27											UC309-27		
1-3/4	UCFL309-28	281.70	9-1/16	6-31/32	23/32	1-23/32	63/64	4-59/64	2.362	2.244	7/8	UC309-28	FL309	7.58
1-7/8	UCFL310-30											UC310-30		
1-15/16	UCFL310-31	335.80	9-1/2	7-23/64	3/4	1-7/8	63/64	5-33/64	2.638	2.402	7/8	UC310-31	FL310	9.59
2	UCFL311-32											UC311-32		
2-3/16	UCFL311-35	449.60	9-13/16	7-51/64	25/32	2-1/16	63/64	5-29/32	2.795	2.598	7/8	UC311-35	FL311	11.40
2-7/16	UCFL312-39	550.10	10-5/8	8-11/32	7/8	2-7/32	1-7/32	6-1/4	3.071	2.795	1	UC312-39	FL312	13.80
2-1/2	UCFL313-40	580.10	11-5/8	9-29/64	1	2-9/32	1-7/32	6-7/8	3.071	2.953	1	UC313-40	FL313	16.50
2-11/16	UCFL314-43											UC314-43		
2-3/4	UCFL314-44	700.50	12-3/8	9-27/32	1-1/8	2-13/32	1-3/8	7-15/16	3.189	3.071	1-1/8	UC314-44	FL314	20.30
2-15/16	UCFL315-47											UC315-47		
3	UCFL315-48	869.80	12-5/8	10-1/4	1-3/16	2-19/32	1-3/8	7-11/16	3.504	3.228	1-1/8	UC315-48	FL315	22.30
3-3/16	UCFL316-51	988.60	14	11-3/16	1-1/4	2-11/16	1-1/2	8-1/4	3.543	3.386	1-1/4	UC316-51	FL316	28.10
3-7/16	UCFL318-55											UC318-55		
3-1/2	UCFL318-56	1059.50	15-3/16	12-25/64	1-7/16	3	1-1/2	9-1/4	3.937	3.780	1-1/4	UC318-56	FL318	38.10
3-15/16	UCFL320-63											UC320-63		
4	UCFL320-64	1263.30	17-3/8	14-3/16	1-9/16	3-11/16	1-47/64	10-5/8	4.921	4.252	1-1/2	UC320-64	FL320	59.10
4-7/16	UCFL322-71	2195.10	18-1/2	15-23/64	1-21/32	3-25/32	1-47/64	11-13/16	5.157	4.606	1-1/2	UC322-71	FL322	73.8
Dimensions (mm)														
25	UCFL305	115.10	150	113	13	29	19	80	39	38	M16	UC305	FL305	2.45
30	UCFL306	160.30	180	134	15	32	23	90	44	43	M20	UC306	FL306	3.35
35	UCFL307	195.40	185	141	16	36	23	100	49	48	M20	UC307	FL307	4.01
40	UCFL308	227.40	200	158	17	40	23	112	56	52	M20	UC308	FL308	5.35
45	UCFL309	281.70	230	177	18	44	25	125	60	57	M22	UC309	FL309	7.58
50	UCFL310	335.80	240	187	19	48	25	140	67	61	M22	UC310	FL310	9.59
55	UCFL311	449.60	250	198	20	52	25	150	71	66	M22	UC311	FL311	11.4
60	UCFL312	550.10	270	212	22	56	31	160	78	71	M27	UC312	FL312	13.8
65	UCFL313	580.10	295	240	25	58	31	175	78	75	M27	UC313	FL313	16.5
70	UCFL314	700.50	315	250	28	61	35	185	81	78	M30	UC314	FL314	20.3
75	UCFL315	869.80	320	260	30	66	35	195	89	82	M30	UC315	FL315	22.3
80	UCFL316	988.60	355	285	32	68	38	210	90	86	M33	UC316	FL316	28.1
85	UCFL317	1059.50	370	300	32	74	38	220	100	96	M33	UC317	FL317	32.3
90	UCFL318	1236.30	385	315	36	76	38	235	100	96	M33	UC318	FL318	38.1
95	UCFL319	1372.60	405	330	40	94	41	250	121	103	M36	UC319	FL319	48.6
100	UCFL320	1627.70	440	360	40	94	44	270	125	108		UC320	FL320	59.1
105	UCFL321	1942.90	440	360	40	94	44	270	127	112	M39	UC321	FL321	62.9
110	UCFL322	2195.10	470	390	42	96	44	300	131	117		UC322	FL322	73.8
120	UCFL324	2844.10	520	430	48	110	47	330	140	126	M42	UC324	FL324	101.9
130	UCFL326	3732.80	550	460	50	115	47	360	146	135	M42	UC326	FL326	128.3
140	UCFL328	4535.00	600	500	60	125	51	400	161	145	M45	UC328	FL328	177.8

Lubrication fitting tap size 1/8-27 NPT

INTERCHANGES: UCFL3



Set-Screw Locking
Wide Inner Ring
Cast Iron Housing
Insert detail-pg.124
Inch and Metric

HEAVY DUTY

Shaft Diam. (in.)	AMI Unit #	List Price	Dimensions (in.)							Bolt Size (in.)	Bearing #	Housing #	Weight (lb.)
			a	e	g	x	s	Z	Bi				
1	UCF305-16	115.10	4-5/16	3-5/32	1/2	1-5/32	5/8	1.535	1.496	1/2	UC305-16	F305	2.64
1-3/16	UCF306-19	160.30	4-15/16	3-47/64	19/32	1-1/4	5/8	1.732	1.693	1/2	UC306-19	F306	3.75
1-1/4	UCF307-20	195.40	5-5/16	3-15/16	5/8	1-13/32	3/4	1.929	1.890	5/8	UC307-20	F307	4.63
1-7/16	UCF307-23										UC307-23		
1-1/2	UCF308-24	227.40	5-7/8	4-13/32	21/32	1-9/16	3/4	2.205	2.047	5/8	UC308-24	F308	6.39
1-11/16	UCF309-27	281.70	6-5/16	4-59/64	23/32	1-23/32	3/4	2.362	2.244	5/8	UC309-27	F309	7.93
1-3/4	UCF309-28										UC309-28		
1-7/8	UCF310-30	335.80	6-7/8	5-13/64	3/4	1-7/8	29/32	2.638	2.402	3/4	UC310-30	F310	10.36
1-15/16	UCF310-31										UC310-31		
2	UCF311-32	449.60	7-5/16	5-33/64	25/32	2-1/16	29/32	2.795	2.598	3/4	UC311-32	F311	12.56
2-3/16	UCF311-35										UC311-35		
2-7/16	UCF312-39	550.10	7-11/16	5-29/32	7/8	2-7/32	29/32	3.071	2.795	3/4	UC312-39	F312	14.99
2-1/2	UCF313-40	580.10	8-3/16	6-17/32	7/8	2-9/32	29/32	3.071	2.953	3/4	UC313-40	F313	17.19
2-11/16	UCF314-43	700.50	8-7/8	7-1/64	1	2-13/32	63/64	3.189	3.071	7/8	UC314-43	F314	21.16
2-3/4	UCF314-44										UC314-44		
2-15/16	UCF315-47	869.80	9-5/16	7-1/4	1	2-19/32	63/64	3.504	3.228	7/8	UC315-47	F315	25.79
3	UCF315-48										UC315-48		
3-3/16	UCF316-51	988.60	9-13/16	7-23/32	1-1/16	2-11/16	1-7/32	3.543	3.386	1	UC316-51	F316	30.19
3-1/4	UCF317-52	1059.50	10-1/4	8-1/32	1-1/16	2-29/32	1-7/32	3.937	3.780	1	UC317-52	F317	33.50
3-7/16	UCF318-55	1777.85	11	8-1/2	1-3/16	3	1-3/8	3.937	3.780	1-1/8	UC318-55	F318	41.44
3-1/2	UCF318-56	1236.30									UC318-56		
3-3/4	UCF319-60	1372.60	11-13/32	8-31/32	1-3/16	3-11/16	1-3/8	4.764	4.055	1-1/8	UC319-60	F319	45.62
3-15/16	UCF320-63	1627.70	12-3/16	9-17/32	1-1/4	3-11/16	1-1/2	4.921	4.252	1-1/4	UC320-63	F320	54.66
4	UCF320-64										UC320-64		
4-7/16	UCF322-71	2195.10	13-3/8	10-1/2	1-3/8	3-25/32	1-5/8	5.157	4.606	1-3/8	UC322-71	F322	77.4
Dimensions (mm)													
25	UCF305	115.10	110	80	13	29	16	39	38	M14	UC305	F305	2.68
30	UCF306	160.30	125	95	15	32	16	44	43	M14	UC306	F306	3.79
35	UCF307	195.40	135	100	16	36	19	49	48	M16	UC307	F307	4.68
40	UCF308	227.40	150	112	17	40	19	56	52	M16	UC308	F308	6.47
45	UCF309	281.70	160	125	18	44	19	60	57	M16	UC309	F309	8.03
50	UCF310	335.80	175	132	19	48	23	67	61	M20	UC310	F310	10.5
55	UCF311	449.60	185	140	20	52	23	71	66		UC311	F311	12.7
60	UCF312	550.10	195	150	22	56	23	78	71	M20	UC312	F312	15.2
65	UCF313	580.10	208	166	22	58	23	78	75		UC313	F313	17.4
70	UCF314	700.50	226	178	25	61	25	81	78	M22	UC314	F314	21.4
75	UCF315	869.80	236	184	25	66	25	89	82	M22	UC315	F315	26.1
80	UCF316	988.60	250	196	27	68	31	90	86	M27	UC316	F316	30.6
85	UCF317	1059.50	260	204	27	74	31	100	96	M27	UC317	F317	33.9
90	UCF318	1236.30	280	216	30	76	35	100	96	M30	UC318	F318	41.9
95	UCF319	1372.60	290	228	30	94	35	121	103	M30	UC319	F319	46.2
100	UCF320	1627.70	310	242	32	94	38	125	108		UC320	F320	55.3
105	UCF321	1942.90	310	242	32	94	38	127	112	M36	UC321	F321	57.1
110	UCF322	2195.10	340	266	35	96	41	131	117		UC322	F322	77.4
120	UCF324	2844.10	370	290	40	110	41	140	126		UC324	F324	105.3
130	UCF326	3732.80	410	320	45	115	41	146	135	M36	UC326	F326	139.8
140	UCF328	4535.00	450	350	55	125	41	161	145		UC328	F328	194.0

Lubrication fitting tap size 1/8-27 NPT

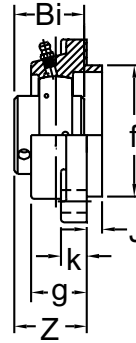
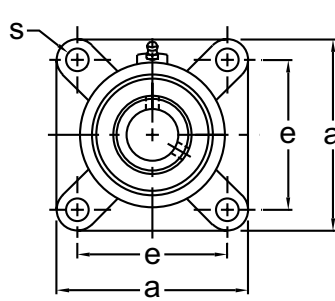
INTERCHANGES: UCF3



PILOTED FOUR-BOLT FLANGE UNITS

UCFS 300

Set-Screw Locking
Wide Inner Ring
Cast Iron Housing
Insert detail-pg.124
Metric

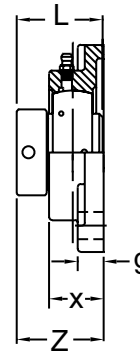
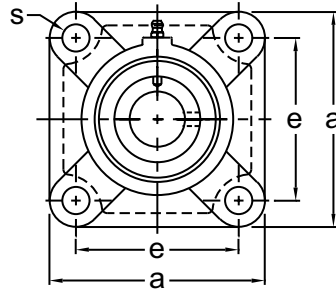


Shaft Diam. (mm)	AMI Unit #	List Price	Dimensions (mm)									Bolt Size (mm)	Bearing #	Housing #	Weight (lb.)
			a	e	s	J	k	g	f	Z	Bi				
25	UCFS305	112.90	110	80	16	7	13	22	80	32	38	M14	UC305	FS305	3.12
30	UCFS306	144.50	125	95	16	8	15	24	90	36	43	M14	UC306	FS306	4.24
35	UCFS307	172.90	135	100	19	9	16	27	100	40	48	M16	UC307	FS307	5.35
40	UCFS308	212.90	150	112	19	10	17	30	115	46	52	M16	UC308	FS308	7.36
45	UCFS309	255.60	160	125	19	11	18	33	125	49	57	M16	UC309	FS309	8.92
50	UCFS310	306.00	175	132	23	12	19	36	140	55	61	M20	UC310	FS310	11.8
55	UCFS311	392.20	185	140	23	13	20	39	150	58	66		UC311	FS311	13.8
60	UCFS312	459.00	195	150	23	14	22	42	160	64	71	M20	UC312	FS312	16.5
65	UCFS313	535.00	208	166	23	18	22	40	175	60	75		UC313	FS313	19.2
70	UCFS314	625.80	226	178	25	18	25	43	185	63	78	M22	UC314	FS314	25.0
75	UCFS315	732.80	236	184	25	18	25	48	200	71	82	M22	UC315	FS315	28.3
80	UCFS316	872.60	250	196	31	20	27	48	210	70	86	M27	UC316	FS316	31.9
85	UCFS317	1089.70	260	204	31	20	27	54	220	80	96	M27	UC317	FS317	38.4
90	UCFS318	1203.60	280	216	35	20	30	56	240	80	96	M30	UC318	FS318	45.5
95	UCFS319	1155.30	290	228	35	20	30	74	250	101	103	M30	UC319	FS319	53.3
100	UCFS320	1774.50	310	242	38	20	32	74	260	105	108	M33	UC320	FS320	60.4
105	UCFS321	2228.80	310	242	38	20	32	74	260	107	112	M33	UC321	FS321	63.6
110	UCFS322	2425.90	340	266	41	25	35	71	300	106	117	M36	UC322	FS322	82.1
120	UCFS324	3331.80	370	290	41	30	40	80	330	110	126		UC324	FS324	112.8
130	UCFS326	4356.80	410	320	41	30	45	85	360	116	135	M36	UC326	FS326	151.2
140	UCFS328	5366.10	450	350	41	30	55	95	400	131	145		UC328	FS328	214.8

Lubrication fitting tap size 1/8-27 NPT

INTERCHANGES: UCFS

HEAVY DUTY



Eccentric Locking
Wide Inner Ring
Cast Iron Housing
Insert detail-pg.125
Inch and Metric

HEAVY DUTY

Shaft Diam (in.)	AMI Unit #	List Price	Dimensions (in.)							Bolt Size (in.)	Bearing #	Housing #	Weight (lb.)
			a	e	g	x	s	Z	L				
1-7/16	UGF307-23	209.10	5-5/16	3-15/16	5/8	1-13/32	3/4	2.098	2.031	5/8	UG307-23	F307	4.81
1-1/2	UGF308-24	316.50	5-7/8	4-13/32	21/32	1-9/16	3/4	2.374	2.248	5/8	UG308-24	F308	6.75
1-11/16	UGF309-27	338.10	6-5/16	4-59/64	23/32	1-23/32	3/4	2.515	2.311	5/8	UG309-27	F309	8.37
1-15/16	UGF310-31	398.00	6-7/8	5-13/64	3/4	1-7/8	29/32	2.755	2.622	3/4	UG310-31	F310	11.00
2-3/16	UGF311-35	494.50	7-5/16	5-33/64	25/32	2-1/16	29/32	2.961	2.874	3/4	UG311-35	F311	13.12
2-7/16	UGF312-39	555.15	7-11/16	5-29/32	7/8	2-7/32	29/32	3.205	3.126	3/4	UG312-39	F312	15.47
2-11/16	UGF314-43	818.70	8-7/8	7-1/64	1	2-13/32	63/64	3.701	3.626	7/8	UG314-43	F314	22.50
2-15/16	UGF315-47	861.85	9-5/16	7-1/4	1	2-19/32	63/64	4.003	3.937	7/8	UG315-47	F315	27.99
3	UGF315-48										UG315-48	F315	27.99
Dimensions (mm)													
45	UGF309	338.10	160	125	18	44	19	60	58.7	M16	UG309	F309	8.37
50	UGF310	398.00	175	132	19	48	23	67	66.6	M20	UG310	F310	11.00
55	UGF311	494.50	185	140	20	52	23	71	73.0	M20	UG311	F311	13.12
60	UGF312	555.15	195	150	22	56	23	78	79.4	M20	UG312	F312	15.47
70	UGF314	818.70	226	178	25	61	25	81	92.1	M22	UG314	F314	22.50
75	UGF315	861.85	236	184	25	66	25	89	100.0	M22	UG315	F315	27.99
90	UGF318	1246.70	280	216	30	76	35	100	115.9	M30	UG318	F318	45.30

Lubrication fitting tap size 1/8-27 NPT

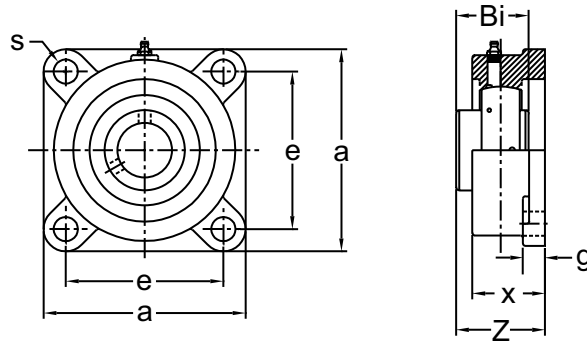
INTERCHANGES: UELF3



FOUR-BOLT FLANGE UNITS

UCF-U 300

**Set-Screw Locking
Wide Inner Ring
Cast Iron Housing
Insert detail-pg.124
Inch and Metric**

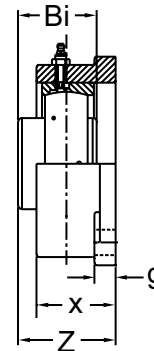
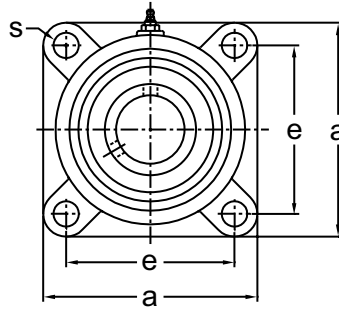


Shaft Diam (in.)	AMI Unit #	List Price	Dimensions (in.)							Bolt Size (in.)	Bearing #	Housing #	Weight (lb.)
			a	e	g	x	s	Z	Bi				
1	UCFU305-16	177.50	4-5/8	3-1/2	9/16	1-1/2	9/16	1.721	1.496	1/2	UC305-16	F-U305	4.0
1-3/16	UCFU306-19	233.20	4-15/16	3-13/16	5/8	1-21/32	9/16	2.048	1.693	1/2	UC306-19	F-U306	5.0
1-1/4	UCFU307-20	248.90	5-1/8	4	5/8	1-13/16	9/16	2.252	1.890	1/2	UC307-20	F-U307	6.2
1-7/16	UCFU307-23										UC307-23	F-U307	6.0
1-1/2	UCFU308-24	290.90	6	4-5/8	5/8	1-31/32	3/4	2.468	2.047	5/8	UC308-24	F-U308	8.4
1-11/16	UCFU309-27										UC309-27	F-U309	10.6
1-3/4	UCFU309-28	351.40	6-1/4	4-7/8	11/16	2-13/64	3/4	2.748	2.244	5/8	UC309-28	F-U309	10.8
1-7/8	UCFU310-30										UC310-30	F-U310	12.4
1-15/16	UCFU310-31	417.40	6-1/2	5-1/8	11/16	2-13/32	3/4	2.968	2.402	5/8	UC310-31	F-U310	12.2
2	UCFU311-32										UC311-32	F-U311	16.8
2-3/16	UCFU311-35	523.80	7-5/16	5-3/4	3/4	2-9/16	29/32	3.220	2.598	3/4	UC311-35	F-U311	16.2
2-7/16	UCFU312-39	638.50	7-5/8	6	3/4	2-13/16	29/32	3.469	2.795	3/4	UC312-39	F-U312	18.2
2-15/16	UCFU315-47										UC315-47	F-U315	32.6
3	UCFU315-48	1181.30	9-1/16	7-1/4	7/8	3-7/16	1-1/16	4.312	3.228	7/8	UC315-48	F-U315	32.2
Dimensions (mm)													
25	UCFU305	177.50	117.5	88.9	14	38	14	43.7	38		UC305	F-U305	3.8
30	UCFU306	233.20	125.5	96.8	16	42	14	52.0	43	M12	UC306	F-U306	5.0
35	UCFU307	248.90	130	101.6	16	46	14	57.2	48		UC307	F-U307	6.0
40	UCFU308	290.90	152.5	117.4	16	50	19	62.7	52		UC308	F-U308	8.4
45	UCFU309	351.40	159	123.8	17.5	56	19	69.8	57	M16	UC309	F-U309	10.6
50	UCFU310	417.40	165	130.2	17.5	61	19	75.4	61		UC310	F-U310	12.0
55	UCFU311	523.80	185.5	146.1	19	65	23	81.8	66	M20	UC311	F-U311	16.2
60	UCFU312	638.50	193.5	152.4	19	71.5	23	88.1	71	M20	UC312	F-U312	18.4
75	UCFU315	1181.30	230	184.1	22	87.5	27	109.5	82	M24	UC315	F-U315	32.4

Lubrication fitting tap size 1/8-27 NPT

INTERCHANGES: F-U3

HEAVY DUTY



Set-Screw Locking
Wide Inner Ring
Cast Iron Housing
Expansion Type
Insert detail-pg.124
Inch and Metric

HEAVY DUTY

Shaft Diam (in.)	AMI Unit #	List Price	Dimensions (in.)							Bolt Size (in.)	Bearing #	Housing #	Weight (lb.)
			a	e	g	x	s	Z	Bi				
1-1/4	UCFEU307-20	414.00	5-1/8	4	5/8	1-13/16	9/16	2.252	1.890	1/2	UC307-20	FE-U307	6.2
1-7/16	UCFEU307-23					2-13/64					6.0		
1-11/16	UCFEU309-27	518.60	6-1/4	4-7/8	11/16	2-13/64	3/4	2.748	2.244	5/8	UC309-27	FE-U309	10.6
1-3/4	UCFEU309-28					3-7/8					10.8		
1-7/8	UCFEU310-30	616.90	6-1/2	5-1/8	11/16	2-13/32	3/4	2.968	2.402	5/8	UC310-30	FE-U310	13.2
1-15/16	UCFEU310-31					3-1/4					13.0		
2	UCFEU311-32	761.40	7-5/16	5-3/4	3/4	2-9/16	29/32	3.220	2.598	3/4	UC311-32	FE-U311	17.4
2-3/16	UCFEU311-35					2-1/2					16.8		
2-7/16	UCFEU312-39	865.80	7-5/8	6	3/4	2-13/16	29/32	3.469	2.795	3/4	UC312-39	FE-U312	18.6
2-11/16	UCFEU314-43					1-1/16					31.6		
2-3/4	UCFEU314-44	1030.50	8-7/8	7	7/8	3-7/16	1-1/16	4.115	3.071	7/8	UC314-43	FE-U314	31.4
2-15/16	UCFEU315-47					3-1/2					32.2		
3	UCFEU315-48	1523.40	9-1/16	7-1/4	7/8	3-7/16	1-1/16	4.312	3.228	7/8	UC315-47	FE-U315	31.8
Dimensions (mm)													
35	UCFEU307	414.00	130	101.6	16	46	14	57.2	48	M12	UC307	FE-U307	6.0
45	UCFEU309	518.60	159	123.8	17.5	56	19	69.8	57	M16	UC309	FE-U309	10.6
50	UCFEU310	616.90	165	130.2	17.5	61	19	75.4	61	M16	UC310	FE-U310	12.8
55	UCFEU311	761.40	185.5	146.1	19	65	23	81.8	66	M20	UC311	FE-U311	16.8
60	UCFEU312	865.80	193.5	152.4	19	71.5	23	88.1	71	M20	UC312	FE-U312	18.8
70	UCFEU314	1030.50	225.5	177.8	22	87.5	27	104.5	78	M24	UC314	FE-U314	31.4
75	UCFEU315	1523.40	230	184.1	22	87.5	27	109.5	82	M24	UC315	FE-U315	32.0

Lubrication fitting tap size 1/8-27 NPT

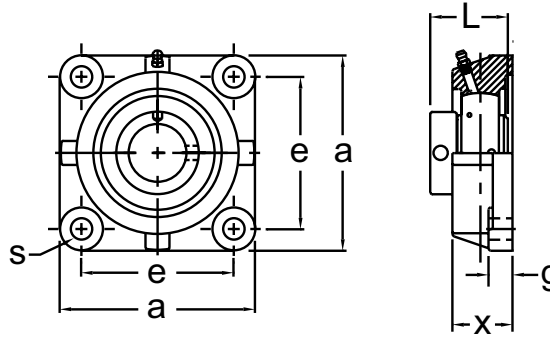
INTERCHANGES: FE-U3



FOUR-BOLT FLANGE UNITS

UGCJO 300

**Eccentric Locking
Wide Inner Ring
Cast Iron Housing
Insert detail-pg.125
Inch and Metric**

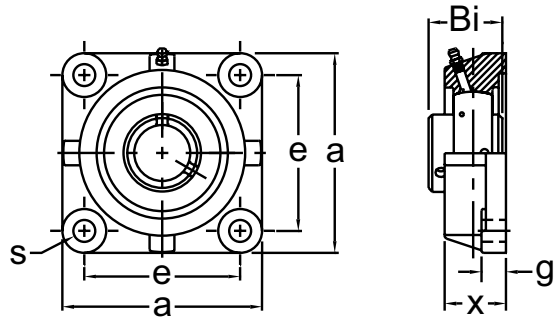


Shaft Diam. (in.)	AMI Unit #	List Price	Dimensions (in.)						Bolt Size (in.)	Bearing #	Housing #	Weight (lb.)
			a	e	g	x	s	L				
1-7/16	UGCJO307-23	259.70	5-1/8	4	5/8	1-37/64	9/16	2.031	1/2	UG307-23	CJO307	5.32
1-1/2	UGCJO308-24	327.60	5-23/64	4-1/8	5/8	1-47/64	5/8	2.248	9/16	UG308-24	CJO308	6.46
1-11/16	UGCJO309-27	375.50	5-5/8	4-3/8	43/64	1-55/64	5/8	2.311	9/16	UG309-27	CJO309	7.76
1-15/16	UGCJO310-31	437.65	6-1/2	5-1/8	43/64	2-3/32	11/16	2.622	5/8	UG310-31	CJO310	11.04
2-3/16	UGCJO311-35	581.45	7	5-5/8	43/64	2-19/64	11/16	2.874	5/8	UG311-35	CJO311	13.98
2-7/16	UGCJO312-39	631.65	7-1/2	5-7/8	3/4	2-9/16	13/16	3.126	3/4	UG312-39	CJO312	15.97
2-11/16	UGCJO314-43	903.00	8-55/64	7	51/64	2-27/32	15/16	3.626	7/8	UG314-43	CJO314	26.28
2-15/16 3	UGCJO315-47 UGCJO315-48	942.80	9-1/4	7-1/4	7/8	3-5/64	15/16	3.937	7/8	UG315-47 UG315-48	CJO315	31.82
Dimensions (mm)												
45	UGCJO309	375.50	143	111.1	17	47	16.0	58.7	M14	UG309	CJO309	7.76
50	UGCJO310	437.65	165	130.2	17	53	17.5	66.6	M16	UG310	CJO310	11.04
55	UGCJO311	581.45	178	142.9	17	58	17.5	73.0	M16	UG311	CJO311	13.98
60	UGCJO312	631.65	190	149.2	19	65	20.5	79.4	M20	UG312	CJO312	15.97
70	UGCJO314	903.00	225	177.8	20	72	24.0	92.1	M22	UG314	CJO314	26.28
75	UGCJO315	942.80	235	184.2	22	78	24.0	100.0	M22	UG315	CJO315	31.82
90	UGCJO318	1507.70	281	215.9	28	84	27.0	115.9	M24	UG318	CJO318	49.74

Lubrication fitting tap size 1/8-27 NPT

INTERCHANGES: RCJO

HEAVY DUTY



Set-Screw Locking
Wide Inner Ring
Cast Iron Housing
Insert detail-pg.124
Inch and Metric

HEAVY DUTY

Shaft Diam. (in.)	AMI Unit #	List Price	Dimensions (in.)						Bolt Size (in.)	Bearing #	Housing #	Weight (lb.)
			a	e	g	x	s	Bi				
1-3/16	UCCJO306-19	127.70	4-23/32	3-5/8	9/16	1-1/2	9/16	1.693	1/2	UC306-19	CJO306	4.37
1-1/4	UCCJO307-20	141.20	5-1/8	4	5/8	1-37/64	9/16	1.890	1/2	UC307-20	CJO307	5.14
1-7/16	UCCJO307-23									UC307-23		
1-1/2	UCCJO308-24	192.00	5-23/64	4-1/8	5/8	1-47/64	5/8	2.047	9/16	UC308-24	CJO308	6.10
1-11/16	UCCJO309-27	204.20	5-5/8	4-3/8	43/64	1-55/64	5/8	2.244	9/16	UC309-27	CJO309	7.32
1-3/4	UCCJO309-28									UC309-28		
1-7/8	UCCJO310-30	276.60	6-1/2	5-1/8	43/64	2-3/32	11/16	2.402	5/8	UC310-30	CJO310	10.40
1-15/16	UCCJO310-31									UC310-31		
2	UCCJO311-32	335.90	7	5-5/8	43/64	2-19/64	11/16	2.598	5/8	UC311-32	CJO311	13.42
2-3/16	UCCJO311-35									UC311-35		
2-7/16	UCCJO312-39	361.40	7-1/2	5-7/8	3/4	2-9/16	13/16	2.795	3/4	UC312-39	CJO312	15.49
2-11/16	UCCJO314-43	725.75	8-55/64	7	51/64	2-27/32	15/16	3.071	7/8	UC314-43	CJO314	24.94
2-3/4	UCCJO314-44	640.30								UC314-44		
2-15/16	UCCJO315-47	739.80	9-1/4	7-1/4	7/8	3-5/64	15/16	3.228	7/8	UC315-47	CJO315	29.62
3	UCCJO315-48									UC315-48		
3-7/16	UCCJO318-55	1985.30	11-1/16	8-1/2	1-7/64	3-5/16	1-1/16	3.780	1	UC318-55	CJO318	46.12
3-1/2	UCCJO318-56	1340.00								UC318-56		
3-15/16	UCCJO320-63	2252.40	12-7/16	9-17/32	1-19/64	3-13/16	1-3/16	4.252	1-1/8	UC320-63	CJO320	64.82
4	UCCJO320-64									UC320-64		
Dimensions (mm)												
30	UCCJO306	127.70	120	92.1	14	38	14.5	43	M12	UC306	CJO306	4.39
35	UCCJO307	141.20	130	101.6	16	40	14.5	48	M12	UC307	CJO307	5.16
40	UCCJO308	192.00	136	104.8	16	44	16.0	52	M14	UC308	CJO308	6.13
45	UCCJO309	204.20	143	111.1	17	47	16.0	57	M14	UC309	CJO309	7.35
50	UCCJO310	276.60	165	130.2	17	53	17.5	61	M16	UC310	CJO310	10.44
55	UCCJO311	335.90	178	142.9	17	58	17.5	66	M16	UC311	CJO311	13.48
60	UCCJO312	361.40	190	149.2	19	65	20.5	71	M20	UC312	CJO312	15.56
70	UCCJO314	640.30	225	177.8	20	72	24.0	78	M22	UC314	CJO314	25.04
75	UCCJO315	739.80	235	184.2	22	78	24.0	82	M22	UC315	CJO315	29.80
90	UCCJO318	1340.00	281	215.9	28	84	27.0	96	M24	UC318	CJO318	46.34
100	UCCJO320	2252.40	316	242.0	33	97	30.0	108	M27	UC320	CJO320	65.12

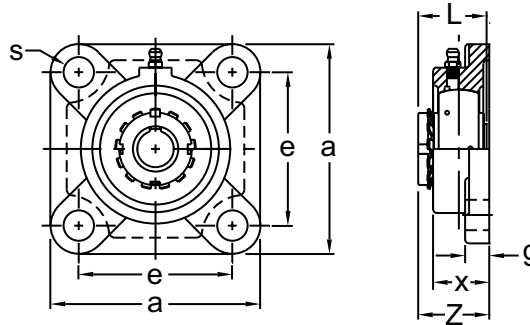
Lubrication fitting tap size 1/8-27 NPT



FOUR-BOLT FLANGE UNITS

UKF 300+H

**Tapered Adapter Sleeve
Wide Inner Ring
Cast Iron Housing
Insert detail-pg.126
Inch and Metric**



Shaft Diam. (in.)	AMI Unit #	List Price	Dimensions (in.)							Bolt Size (in.)	Bearing #	Housing #	Weight (lb.)
			a	e	g	x	s	Z	L				
3/4	UKF305+HE2305	166.20	4-5/16	3-5/32	1/2	1-5/32	5/8	1.457	1.379	1/2	UK305+HE2305	F305	2.68
7/8	UKF306+HS2306	204.50	4-15/16	3-47/64	19/32	1-1/4	5/8	1.595	1.496	1/2	UK306+HS2306	F306	3.79
15/16	UKF306+HA2306										UK306+HA2306		
1	UKF306+HE2306	242.00	5-5/16	3-15/16	5/8	1-13/32	3/4	1.752	1.693	5/8	UK307+HS2307	F307	4.68
1-1/8	UKF307+HA2307										UK307+HA2307		
1-1/4	UKF308+HE2308	287.00	5-7/8	4-13/32	21/32	1-9/16	3/4	1.969	1.811	5/8	UK308+HE2308	F308	6.69
1-5/16	UKF308+HA2308										UK308+HA2308		
1-3/8	UKF308+HS2308										UK308+HS2308		
1-7/16	UKF309+HA2309	356.70	6-5/16	4-59/64	23/32	1-23/32	3/4	2.146	1.969	5/8	UK309+HA2309	F309	8.03
1-1/2	UKF309+HE2309										UK309+HE2309		
1-5/8	UKF309+HS2309										UK309+HS2309		
1-11/16	UKF310+HA2310	455.40	6-7/8	5-13/64	3/4	1-7/8	29/32	2.362	2.165	3/4	UK310+HA2310	F310	10.70
1-3/4	UKF310+HE2310										UK310+HE2310		
1-7/8	UKF311+HS2311	565.50	7-5/16	5-33/64	25/32	2-1/16	29/32	2.503	2.323	3/4	UK311+HS2311	F311	12.70
1-15/16	UKF311+HA2311										UK311+HA2311		
2	UKF311+HE2311										UK311+HE2311		
2-1/16	UKF312+HA2312	671.00	7-11/16	5-29/32	7/8	2-7/32	29/32	2.717	2.441	3/4	UK312+HA2312	F312	15.00
2-1/8	UKF312+HS2312										UK312+HS2312		
2-3/16	UKF313+HA2313	762.00	8-3/16	6-17/32	7/8	2-9/32	29/32	2.795	2.559	3/4	UK313+HA2313	F313	17.20
2-1/4	UKF313+HE2313										UK313+HE2313		
2-3/8	UKF313+HS2313										UK313+HS2313		
2-7/16	UKF315+HA2315	1065.00	9-5/16	7-1/4	1	2-19/32	63/64	3.189	2.874	7/8	UK315+HA2315	F315	26.30
2-1/2	UKF315+HE2315										UK315+HE2315		
2-11/16	UKF316+HA2316	1225.00	9-13/16	7-23/32	1-1/16	2-11/16	1-7/32	3.287	3.071	1	UK316+HA2316	F316	31.00
2-3/4	UKF316+HE2316										UK316+HE2316		
2-15/16	UKF317+HA2317	1480.00	10-1/4	8-1/32	1-1/16	2-29/32	1-7/32	3.662	3.228	1	UK317+HA2317	F317	33.70
3	UKF317+HE2317										UK317+HE2317		
3-1/8	UKF318+HS2318	1634.00	11	8-1/2	1-3/16	3	1-3/8	3.681	3.386	1-1/8	UK318+HS2318	F318	42.40
3-3/16	UKF318+HA2318										UK318+HA2318		
3-1/4	UKF319+HE2319	2015.00	11-13/32	9	1-3/16	3-11/16	1-3/8	4.370	3.543	1-1/8	UK319+HE2319	F319	46.40
3-7/16	UKF320+HA2320	2350.00	12-3/16	9-17/32	1-1/4	3-11/16	1-1/2	4.528	3.819	1-1/4	UK320+HA2320	F320	55.30
3-1/2	UKF320+HE2320										UK320+HE2320		
4	UKF322+HE2322	3178.00	13-3/8	10-1/2	1-3/8	3-25/32	15/8	4.764	4.134	1-3/8	UK322+HE2322	F322	77.60
Dimensions (mm)													
20	UKF305+H2305	166.20	110	80	13	29	16	37	35	M14	UK305+H2305	F305	2.68
25	UKF306+H2306	204.50	125	95	15	32	16	40.5	38	M14	UK306+H2306	F306	3.79
30	UKF307+H2307	242.00	135	100	16	36	19	44.5	43	M16	UK307+H2307	F307	4.68
35	UKF308+H2308	287.00	150	112	17	40	19	50	46	M16	UK308+H2308	F308	6.69
40	UKF309+H2309	356.70	160	125	18	44	19	54.5	50	M16	UK309+H2309	F309	8.03
45	UKF310+H2310	455.40	175	132	19	48	23	60	55	M20	UK310+H2310	F310	10.7
50	UKF311+H2311	565.50	185	140	20	52	23	63.5	59	M20	UK311+H2311	F311	12.7
55	UKF312+H2312	671.00	195	150	22	56	23	69	62	M20	UK312+H2312	F312	15.0
60	UKF313+H2313	762.00	208	166	22	58	23	71	65	M20	UK313+H2313	F313	17.2
65	UKF315+H2315	1065.00	236	184	25	66	25	81	73	M22	UK315+H2315	F315	26.3
70	UKF316+H2316	1225.00	250	196	27	68	31	83.5	78	M27	UK316+H2316	F316	31.0
75	UKF317+H2317	1480.00	260	204	27	74	31	92	82	M27	UK317+H2317	F317	33.7
80	UKF318+H2318	1634.00	280	216	30	76	35	93.5	86	M33	UK318+H2318	F318	42.4
85	UKF319+H2319	2015.00	290	228	30	94	35	111	90	M33	UK319+H2319	F319	46.4
90	UKF320+H2320	2350.00	310	242	32	94	38	115	97	M36	UK320+H2320	F320	55.3
100	UKF322+H2322	3178.00	340	266	35	96	41	121	105	M36	UK322+H2322	F322	77.6
110	UKF324+H2324	4122.00	370	290	40	110	41	130	112	M36	UK324+H2324	F324	104.2
115	UKF326+H2326	5430.00	410	320	45	115	41	134	121	M36	UK326+H2326	F326	140.5
125	UKF328+H2328	6695.00	450	350	55	125	41	148	131	M36	UK328+H2328	F328	195.0

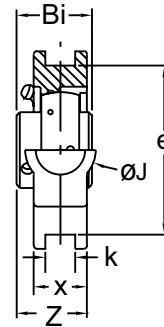
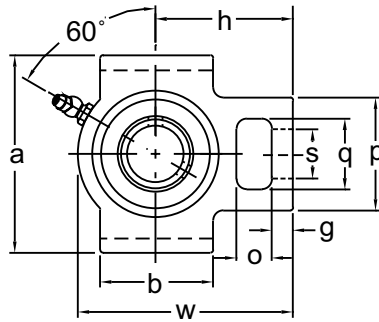
Lubrication fitting tap size 1/8-27 NPT

INTERCHANGES: UKF3

Ph: 800-882-8642 • Fax: 847-759-0630

AMI Bearings, Inc. **105**

HEAVY DUTY



Set-Screw Locking
Wide Inner Ring
Cast Iron Housing
Insert detail-pg.124
Metric-Call for Inch Sizes

HEAVY DUTY

Shaft Diam. (mm)	AMI Unit #	List Price	Dimensions (mm)														Bearing #	Housing #	Weight (lb.)	
			o	g	p	q	s	b	k	e	a	w	J	x	h	Bi				Z
25	UCT305	112.90	16	12	65	36	26	65	12	80	89	122	36	26	76	38	36.0	UC305	T305	2.23
30	UCT306	144.50	18	14	70	41	28	74	16	90	100	137	41	28	85	43	40.0	UC306	T306	4.01
35	UCT307	172.90	20	15	75	45	30	80	16	100	111	150	45	32	94	48	45.0	UC307	T307	5.35
40	UCT308	212.90	22	17	83	50	32	89	18	112	124	162	50	34	100	52	50.0	UC308	T308	6.69
45	UCT309	255.60	24	18	90	55	34	97	18	125	138	178	55	38	110	57	54.0	UC309	T309	9.14
50	UCT310	306.00	27	20	98	61	37	106	20	140	151	191	61	40	117	61	59.0	UC310	T310	11.6
55	UCT311	392.20	29	21	105	66	39	115	22	150	163	207	66	44	127	66	63.0	UC311	T311	14.27
60	UCT312	459.00	31	23	113	71	41	123	22	160	178	220	71	46	135	71	68.0	UC312	T312	17.0
65	UCT313	535.00	32	25	116	70	43	134	26	170	190	238	80	50	146	75	70.0	UC313	T313	20.5
70	UCT314	625.80	36	25	130	85	46	140	26	180	202	252	90	52	155	78	71.0	UC314	T314	25.0
75	UCT315	732.80	36	25	132	85	46	150	26	192	216	262	90	55	160	82	77.5	UC315	T315	29.0
80	UCT316	872.60	42	28	150	98	53	160	30	204	230	282	102	60	174	86	82.0	UC316	T316	34.8
85	UCT317	1089.70	42	30	152	98	53	170	32	214	240	298	102	64	183	96	88.0	UC317	T317	43.1
90	UCT318	1203.60	46	30	160	106	57	175	32	228	255	312	110	66	192	96	89.0	UC318	T318	47.3
95	UCT319	1511.30	46	31	165	106	57	180	35	240	270	322	110	72	197	103	98.0	UC319	T319	54.4
100	UCT320	1774.50	48	32	175	115	59	200	35	260	290	345	120	75	210	108	103.5	UC320	T320	68.3
105	UCT321	2228.80	48	32	175	115	59	200	35	260	290	345	120	75	210	112	105.5	UC321	T321	67.4
110	UCT322	2425.90	52	38	185	125	65	215	38	285	320	385	130	80	235	117	111.0	UC322	T322	86.5
120	UCT324	3331.80	60	42	210	140	70	230	45	320	355	432	140	90	267	126	120.0	UC324	T324	121.8
130	UCT326	4356.80	65	45	220	150	75	240	50	350	385	465	150	100	285	135	131.0	UC326	T326	152.6
140	UCT328	5366.10	70	50	230	160	80	255	50	380	415	515	155	100	315	145	136.0	UC328	T328	185.6

Lubrication fitting tap size 1/8-27 NPT

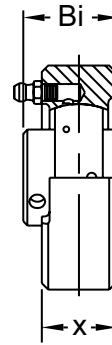
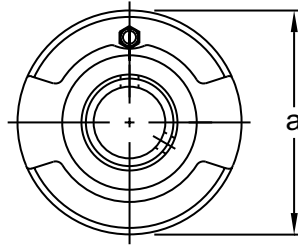
INTERCHANGES: UCT3



CARTRIDGE UNITS

UCC 300

Set-Screw Locking
Wide Inner Ring
Cast Iron Housing
Insert detail-pg.124
Metric-Call for Inch Sizes

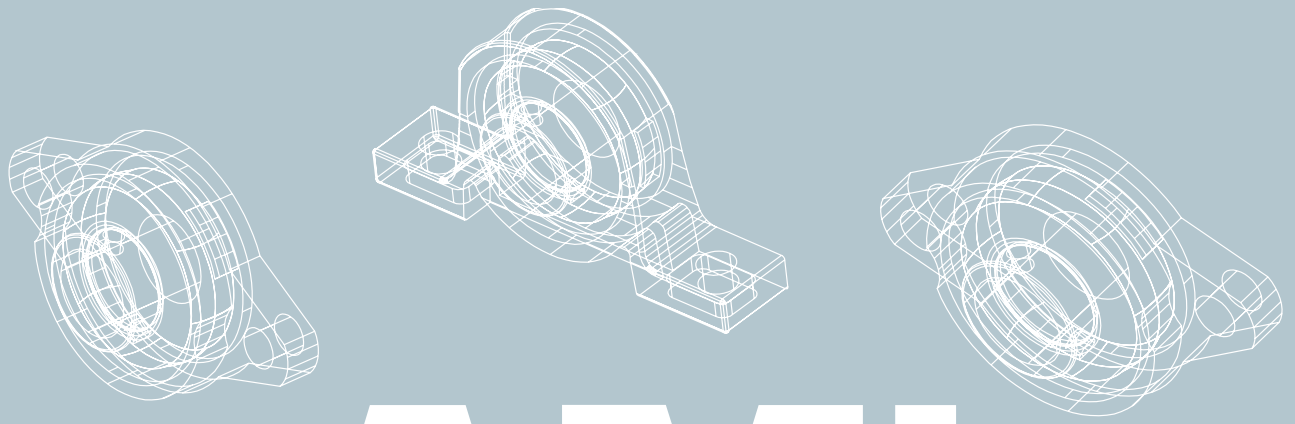


Shaft Diam. (mm)	AMI Unit #	List Price	Dimensions (mm)			Bearing #	Housing #	Weight (lb.)
			a	x	Bi			
25	UCC305	112.90	90	26	38	UC305	C305	2.45
30	UCC306	144.50	100	28	43	UC306	C306	2.9
35	UCC307	172.90	110	32	48	UC307	C307	4.01
40	UCC308	212.90	120	34	52	UC308	C308	4.91
45	UCC309	255.60	130	38	57	UC309	C309	6.02
50	UCC310	306.00	140	40	61	UC310	C310	7.36
55	UCC311	392.20	150	44	66	UC311	C311	8.70
60	UCC312	459.00	160	46	71	UC312	C312	10.7
65	UCC313	535.00	170	50	75	UC313	C313	12.7
70	UCC314	625.80	180	52	78	UC314	C314	14.7
75	UCC315	732.80	190	55	82	UC315	C315	17.2
80	UCC316	872.60	200	60	86	UC316	C316	19.9
85	UCC317	1089.70	215	64	96	UC317	C317	25.0
90	UCC318	1203.60	225	66	96	UC318	C318	27.5
95	UCC319	1511.30	240	72	103	UC319	C319	33.9
100	UCC320	1774.50	260	75	108	UC320	C320	42.8
105	UCC321	2228.80	260	75	112	UC321	C321	42.2
110	UCC322	2425.90	300	80	117	UC322	C322	62.7
120	UCC324	3331.80	320	90	126	UC324	C324	78.1
130	UCC326	4356.80	340	100	135	UC326	C326	94.1
140	UCC328	5366.10	360	100	145	UC328	C328	109.1

NOTE: Recommended housing bore:
Rotating Shaft: nominal +0.001" ~ +0.003" (+0.025 mm ~ +0.076 mm).
Stationary Shaft: nominal +0.000" ~ -0.002" (+0.000 mm ~ -0.050 mm)
Lubrication fitting tap size 1/8-27 NPT

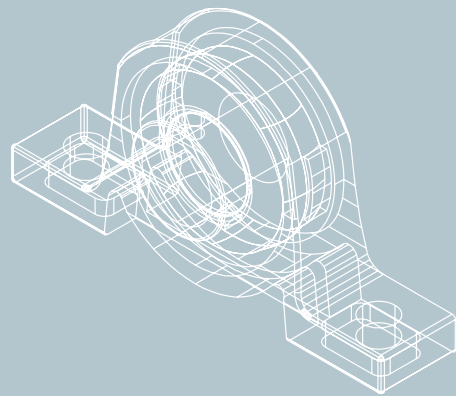
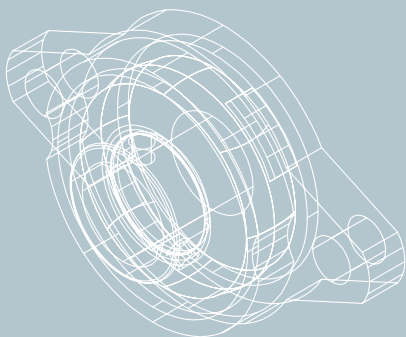
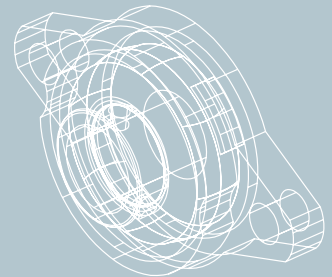
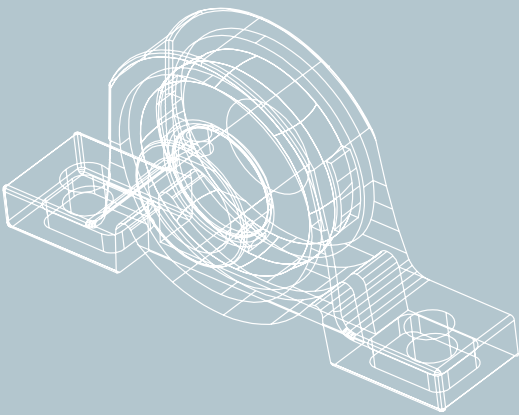
INTERCHANGES: UCC3

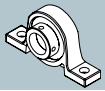
HEAVY DUTY



AMI

Silver Series

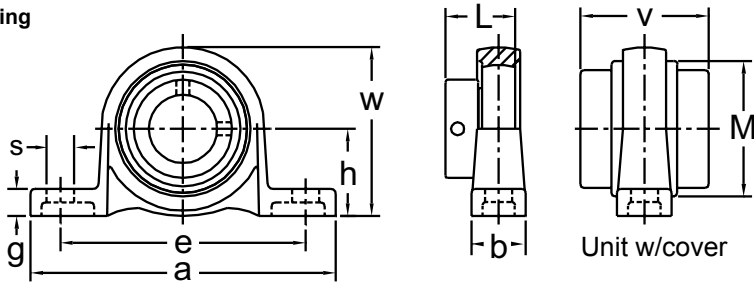




SILVER SERIES PILLOW BLOCKS W/COVERS

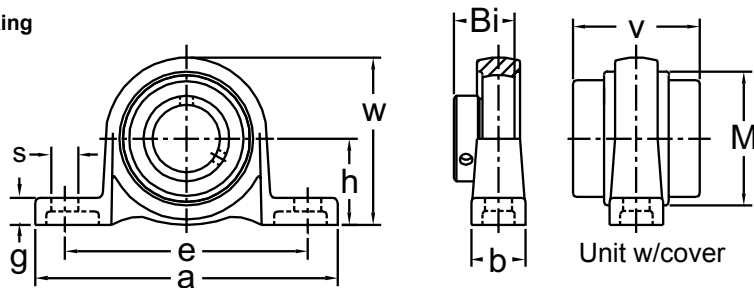
UP / KP / MUP 000

Eccentric Locking
Extra Narrow Inner Ring
ZDC Alloy Housing
52100 Bearing Steel
Non-Relube
Insert detail-pg.127
Metric



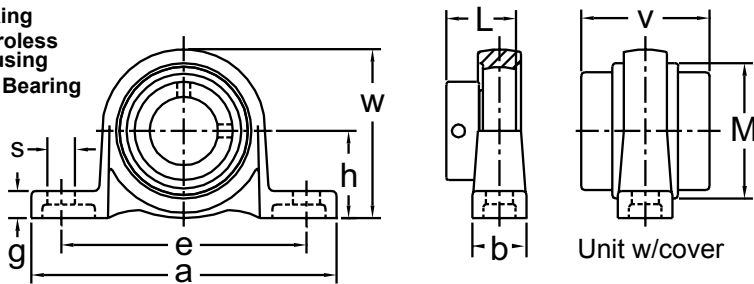
Shaft Diam. (mm)	AMI Unit #	List Price		Dimensions (mm)										Bolt Size (mm)	Bearing #	Housing #	Weight (lb.)
		No Cover	With Cover C (CE)	h	a	e	b	s	g	w	L	v	M				
10	UP000	41.50	45.65	18	67	53	16	7	6	35	17.5	33	29	M6	U000	P000	0.17
12	UP001	42.50	46.65	19	71	56	16	7	6	38	17.5	33	31		U001	P001	0.20
15	UP002	45.30	49.45	22	80	63	16	7	7	43	18.5	34	35		U002	P002	0.28
17	UP003	48.80	53.05	24	85	67	18	7	7	47	20.5	38	38	M6	U003	P003	0.35
20	UP004	51.80	56.05	28	100	80	20	10	9	55	24.5	46	45	M8	U004	P04-5	0.52
25	UP005	59.40	63.65	32	112	90	20	10	10	62	25.5	47	50	M8	U005	P05-6	0.66
30	UP006	72.20	78.20	36	132	106	26	13	11	70	26.5	50	58	M10	U006	P06-7	1.01

Set-Screw Locking
Extra Narrow Inner Ring
ZDC Alloy Housing
52100 Bearing Steel
Non-Relube
Insert detail-pg.127
Metric

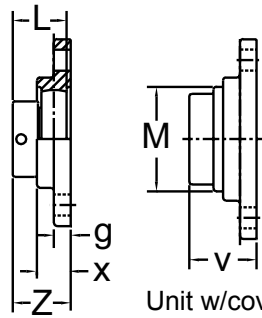
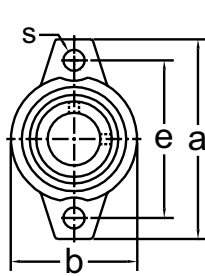


Shaft Diam. (mm)	AMI Unit #	List Price		Dimensions (mm)										Bolt Size (mm)	Bearing #	Housing #	Weight (lb.)
		No Cover	With Cover C (CE)	h	a	e	b	s	g	w	Bi	v	M				
10	KP000	41.50	45.65	18	67	53	16	7	6	35	14	33	29	M6	K000	P000	0.17
12	KP001	45.30	49.45	19	71	56	16	7	6	38	14.5	33	31		K001	P001	0.20
15	KP002	48.60	52.75	22	80	63	16	7	7	43	16.5	34	35		K002	P002	0.28
17	KP003	52.95	57.25	24	85	67	18	7	7	47	17.5	38	38	M6	K003	P003	0.35
20	KP004	60.60	64.75	28	100	80	20	10	9	55	21	46	45	M8	K004	P04-5	0.52
25	KP005	69.80	74.00	32	112	90	20	10	10	62	22.5	47	50	M8	K005	P05-6	0.66
30	KP006	83.00	89.00	36	132	106	26	13	11	70	24.5	50	58	M10	K006	P06-7	1.01

Eccentric Locking
Extra Narrow Inner Ring
ZDC Alloy with Electroless Chromate Finish Housing
440C Stainless Steel Bearing
Non-Relube
Insert detail-pg.127
Metric



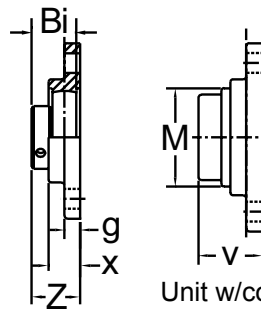
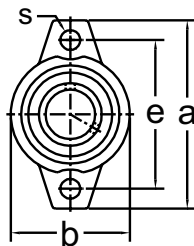
Shaft Diam. (mm)	AMI Unit #	List Price		Dimensions (mm)										Bolt Size (mm)	Bearing #	Housing #	Weight (lb.)
		No Cover	With Cover C (CE)	h	a	e	b	s	g	w	L	v	M				
10	MUP000	98.75	102.30	18	67	53	16	7	6	35	17.5	33	29	M6	MU000	P000Z3	0.17
12	MUP001	103.60	106.90	19	71	56	16	7	6	38	17.5	33	31		MU001	P001Z3	0.20
15	MUP002	105.25	109.40	22	80	63	16	7	7	43	18.5	34	35		MU002	P002Z3	0.28
17	MUP003	120.70	125.10	24	85	67	18	7	7	47	20.5	38	38	M6	MU003	P003Z3	0.35
20	MUP004	131.80	135.30	28	100	80	20	10	9	55	24.5	46	45	M8	MU004	P04-5Z3	0.52
25	MUP005	147.75	151.50	32	112	90	20	10	10	62	25.5	47	50	M8	MU005	P05-6Z3	0.66
30	MUP006	194.60	200.70	36	132	106	26	13	11	70	26.5	50	58	M10	MU006	P06-7Z3	1.01



Unit w/cover

Eccentric Locking
Extra Narrow Inner Ring
ZDC Alloy Housing
52100 Bearing Steel
Non-Relube
Insert detail-pg.127
Metric

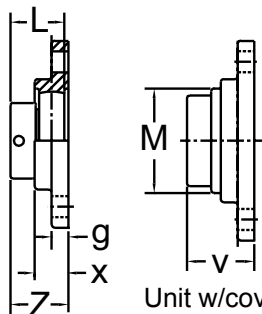
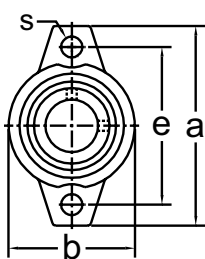
Shaft Diam. (mm)	AMI Unit #	List Price		Dimensions (mm)										Bolt Size (mm)	Bearing #	Housing #	Weight (lb.)
		Open Cover	With Cover C (CE)	a	e	g	x	s	b	Z	L	v	M				
10	UFL000	41.50	45.65	60	45	5.5	11.5	7	36	19	17.5	22	29	M6	U000	FL000	0.14
12	UFL001	42.50	46.65	63	48	5.5	11.5	7	38	19	17.5	22	31		U001	FL001	0.17
15	UFL002	45.30	49.45	67	53	6.5	13	7	42	20.5	18.5	24	35		U002	FL002	0.22
17	UFL003	48.80	53.05	71	56	7	14	7	46	22.5	20.5	26	38	M6	U003	FL003	0.29
20	UFL004	51.80	56.05	90	71	8	16	10	55	26.5	24.5	31	45	M8	U004	FL04-5	0.46
25	UFL005	59.40	63.65	95	75	8	16	10	60	27.5	25.5	32	50	M8	U005	FL05-6	0.54
30	UFL006	72.20	78.20	112	85	9	18	13	70	29	26.5	34	58	M10	U006	FL06-7	0.79
35	UFL007	83.85	90.10	122	95	10	20	13	80	32.5	29.5	-	-		U007	FL07-8	1.10



Unit w/cover

Set-Screw Locking
Extra Narrow Inner Ring
ZDC Alloy Housing
52100 Bearing Steel
Non-Relube
Insert detail-pg.127
Metric

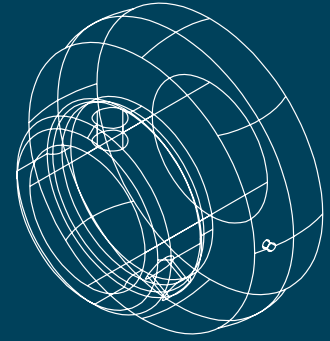
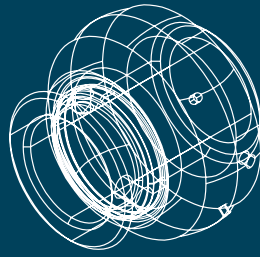
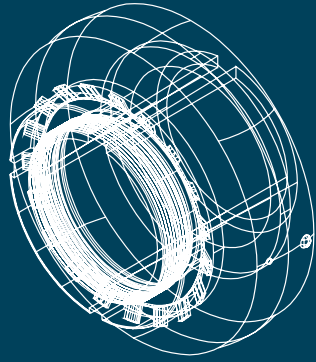
Shaft Diam. (mm)	AMI Unit #	List Price		Dimensions (mm)										Bolt Size (mm)	Bearing #	Housing #	Weight (lb.)
		No Cover	With Cover C (CE)	a	e	g	x	s	b	Z	Bi	v	M				
10	KFL000	41.50	45.65	60	45	5.5	11.5	7	36	15.5	14	22	29	M6	K000	FL000	0.14
12	KFL001	45.30	49.45	63	48	5.5	11.5	7	38	16	14.5	22	31		K001	FL001	0.17
15	KFL002	48.60	52.75	67	53	6.5	13	7	42	18.6	16.5	24	35		K002	FL002	0.22
17	KFL003	52.95	57.25	71	56	7	14	7	46	19.5	17.5	26	38	M6	K003	FL003	0.29
20	KFL004	60.60	64.75	90	71	8	16	10	55	23	21	31	45	M8	K004	FL04-5	0.46
25	KFL005	69.80	74.00	95	75	8	16	10	60	24.5	22.5	32	50	M8	K005	FL05-6	0.54
30	KFL006	83.00	89.00	112	85	9	18	13	70	27	24.5	34	58	M10	K006	FL06-7	0.79



Unit w/cover

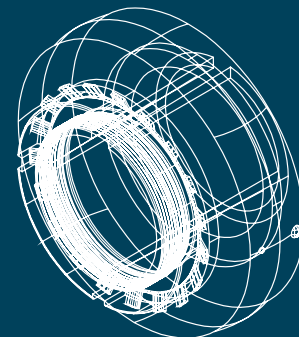
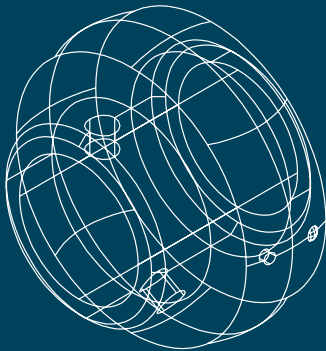
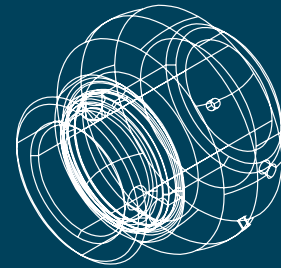
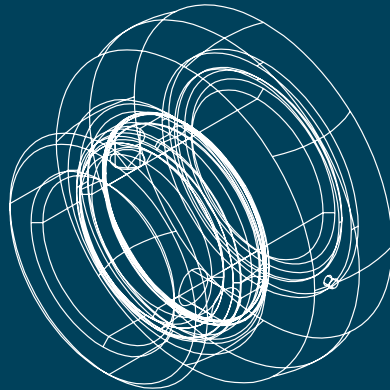
Eccentric Locking
Extra Narrow Inner Ring
ZDC Alloy with Electroless Chromate Finish Housing
440C Stainless Steel Bearing
Non-Relube
Insert detail-pg.127
Metric

Shaft Diam. (mm)	AMI Unit #	List Price		Dimensions (mm)										Bolt Size (mm)	Bearing #	Housing #	Weight (lb.)
		No Cover	With Cover C (CE)	a	e	g	x	s	b	Z	L	v	M				
10	MUFL000	98.75	102.30	60	45	5.5	11.5	7	36	19	17.5	22	29	M6	MU000	FL000Z3	0.14
12	MUFL001	103.60	106.90	63	48	5.5	11.5	7	38	19	17.5	22	31		MU001	FL001Z3	0.17
15	MUFL002	105.25	109.40	67	53	6.5	13	7	42	20.5	18.5	24	35		MU002	FL002Z3	0.22
17	MUFL003	120.70	125.10	71	56	7	14	7	46	22.5	20.5	26	38	M6	MU003	FL003Z3	0.29
20	MUFL004	131.80	135.30	90	71	8	16	10	55	26.5	24.5	31	45	M8	MU004	FL04-5Z3	0.46
25	MUFL005	147.75	151.50	95	75	8	16	10	60	27.5	25.5	32	50	M8	MU005	FL05-6Z3	0.54
30	MUFL006	194.60	200.70	112	85	9	18	13	70	29	26.5	34	58	M10	MU006	FL06-7Z3	0.79



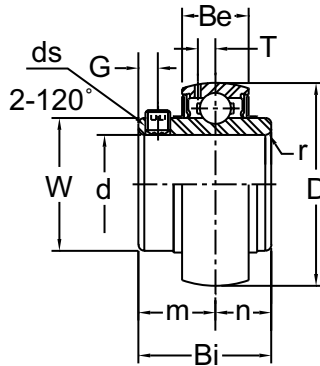
AMI

Inserts





NORMAL DUTY



Set-Screw (120°) Locking
Wide Inner Ring
Steel Cage
52100 Bearing Steel
0°F ~ 212°F
Contact Seal and Slinger
Prelubricated / Relubricatable
Inch

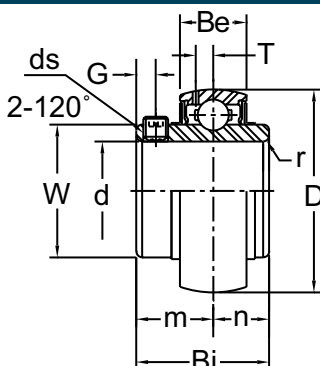
Shaft Diam. (in.) d	AMI Unit #	List Price	Dimensions (in.)										Basic Load Rating (lbf.)		Weight (lb.)
			D	Bi	Be	r	n	m	G	ds(UNF)	T	W	Dynamic Cr	Static Cor	
1/2	UC201-8	27.55	1.8504	1.220	0.669	0.039	0.500	0.720	0.177	1/4-28	0.177	1.142	2890	1500	0.46
5/8	UC202-10														
11/16	UC203-11														
3/4	UC204-12	27.55	1.8504	1.220	0.669	0.059	0.500	0.720	0.177	1/4-28	0.177	1.142	2890	1500	0.35
7/8	UC205-14	30.55	2.0472	1.339	0.669	0.059	0.563	0.776	0.197	1/4-28	0.177	1.339	3150	1780	0.42
15/16	UC205-15														
1	UC205-16														
1-1/16	UC206-17	36.25	2.4409	1.500	0.748	0.059	0.626	0.874	0.197	1/4-28	0.201	1.594	4410	2540	0.68
1-1/8	UC206-18														
1-3/16	UC206-19														
1-1/4	UC206-20														
1-1/4	* UC207-20	46.15	2.8346	1.689	0.787	0.079	0.689	1.000	0.236	5/16-24	0.228	1.890	5820	3460	1.06
1-5/16	* UC207-21														
1-3/8	* UC207-22														
1-7/16	* UC207-23														
1-1/2	* UC208-24	57.55	3.1496	1.937	0.827	0.079	0.748	1.189	0.315	5/16-24	0.244	2.087	6590	4020	1.37
1-9/16	* UC208-25														
1-5/8	* UC209-26	62.95	3.3465	1.937	0.866	0.079	0.748	1.189	0.315	5/16-24	0.256	2.256	7420	4610	1.48
1-11/16	* UC209-27														
1-3/4	* UC209-28														
1-7/8	* UC210-30	74.40	3.5433	2.031	0.906	0.079	0.748	1.283	0.354	3/8-24	0.256	2.480	7980	5220	1.72
1-15/16	* UC210-31														
2	* UC210-32														
2	UC211-32	95.25	3.9370	2.189	0.945	0.098	0.874	1.315	0.354	3/8-24	0.287	2.756	9700	6610	2.27
2-1/8	UC211-34														
2-3/16	UC211-35														
2-1/4	UC212-36	128.50	4.3307	2.563	1.024	0.098	1.000	1.563	0.394	3/8-24	0.303	3.031	11800	8120	3.20
2-3/8	UC212-38														
2-7/16	UC212-39														
2-1/2	UC213-40	157.20	4.7244	2.563	1.063	0.098	1.000	1.563	0.394	3/8-24	0.327	3.232	12900	9000	3.77
2-11/16	UC214-43	203.85	4.9213	2.937	1.142	0.098	1.189	1.748	0.472	7/16-20	0.343	3.425	14000	9900	4.54
2-3/4	UC214-44														
2-15/16	UC215-47	244.00	5.1181	3.063	1.181	0.098	1.311	1.752	0.551	7/16-20	0.362	3.602	14900	10800	4.89
3	UC215-48														
3-1/4	UC217-52	392.40	5.9055	3.374	1.339	0.118	1.343	2.031	0.551	7/16-20	0.413	4.134	18700	13900	7.45
3-7/16	UC217-55														
3-1/2	UC218-56	486.00	6.2992	3.780	1.417	0.118	1.563	2.217	0.591	1/2-20	0.437	4.390	21500	16100	9.57
1/2	UCW201-8	27.55	1.5748	1.024	0.591	0.039	0.394	0.630	0.157	10-32	0.157	0.972	2150	1080	0.26
9/16	UCW202-9														
5/8	UCW202-10														
11/16	UCW203-11														

NOTE: *Double Lip (RD) and Triple Lip (RT) Seals are available for these sizes. Consult AMI for pricing and availability.
Example: UC207-20RD (Double Lip) or UC207-20RT (Triple Lip)

INTERCHANGES: VS-2 INS-SC GY1-KRRB YW250 UG2-NL MB-25-PA YAR2 2-



Set-Screw (120°) Locking
 Wide Inner Ring
 Steel Cage
 52100 Bearing Steel
 0°F ~ 212°F
 Contact Seal and Slinger
 Prelubricated / Relubricatable
 Metric



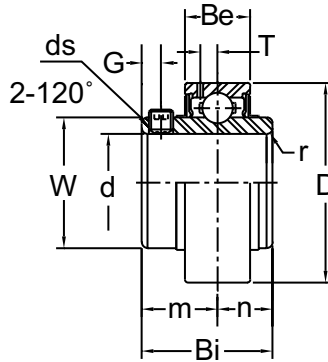
Shaft Diam. (mm) d	AMI Unit #	List Price	Dimensions (mm)										Basic Load Rating (kgf.)		Weight (lb.)	
			D	Bi	Be	r	n	m	G	ds	T	W	Dynamic Cr	Static Cor		
12	UC201	27.55	47	31	17	1	12.7	18.3	4.5	M6X0.75	4.5	29	1310	680	0.47	
15	UC202															
17	UC203															
20	UC204	27.55	47	31	17	1.5	12.7	18.3	4.5	M6X0.75	4.5	29	1310	680	0.36	
25	UC205	30.55	52	34	17	1.5	14.3	19.7	5	M6X0.75	4.5	34	1430	800	0.42	
30	UC206	36.25	62	38.1	19	1.5	15.9	22.2	5	M6X0.75	5.1	40.5	2000	1150	0.69	
35	* UC207	46.15	72	42.9	20	2	17.5	25.4	6	M8X1	5.8	48	2640	1570	1.07	
40	* UC208	57.55	80	49.2	21	2	19	30.2	8	M8X1	6.2	53	2990	1830	1.38	
45	* UC209	62.95	85	49.2	22	2	19	30.2	8	M8X1	6.5	57.3	3350	2090	1.49	
50	* UC210	74.40	90	51.6	23	2	19	32.6	9	M10X1.25	6.5	63	3600	2370	1.74	
55	UC211	95.25	100	55.6	24	2.5	22.2	33.4	9	M10X1.25	7.3	70	4400	3000	2.30	
60	UC212	128.50	110	65.1	26	2.5	25.4	39.7	10	M10X1.25	7.7	77	5350	3700	3.23	
65	UC213	157.20	120	65.1	27	2.5	25.4	39.7	10	M10X1.25	8.3	82.1	5850	4100	3.81	
70	UC214	203.85	125	74.6	29	2.5	30.2	44.4	12	M12X1.5	8.7	87	6350	4500	4.59	
75	UC215	244.00	130	77.8	30	2.5	33.3	44.5	14	M12X1.5	9.2	91.5	6750	4900	4.95	
80	UC216	331.30	140	82.6	32	3	33.3	49.3	14	M12X1.5	9.6	98.5	7400	5400	6.29	
85	UC217	392.40	150	85.7	34	3	34.1	51.6	14	M12X1.5	10.5	105	8500	6300	7.54	
90	UC218	486.00	160	96	36	3	39.7	56.3	15	M12X1.5	11.1	111.5	9750	7300	9.68	
Dimensions (mm)																
12	UCW201	27.55	40	26	15	1	10	16	4	M5x0.8	4	24.7	975	490	0.27	
15	UCW202															
17	UCW203															

NOTE: *Double Lip (RD) and Triple Lip (RT) Seals are available for these sizes. Consult AMI for pricing and availability.
 Example: UC207RD (Double Lip) or UC207RT (Triple Lip)

INTERCHANGES: VS-2 INS-SC GY1-KRRB YW250 UG2-NL MB-25-PA YAR2 2-



NORMAL DUTY



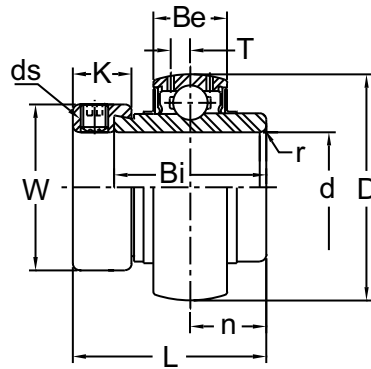
Set-Screw (120°) Locking
 Wide Inner Ring
 Steel Cage
 52100 Bearing Steel
 0°F ~ 212°F
 Contact Seal and Slinger
 Cylindrical Outer Diameter
 Prelubricated / Relubricatable
 Inch and Metric

Shaft Diam. (in.) d	AMI Unit #	List Price	Dimensions (in.)										Basic Load Rating (lbf.)		Weight (lb.)
			D	Bi	Be	r	n	m	G	ds(UNF)	T	W	Dynamic Cr	Static Cor	
1/2	URW201-8 URW202-10	27.55	1.5748	1.024	0.591	0.039	0.394	0.630	0.157	10-32	0.157	0.972	2150	1080	0.26
5/8			1.8504	1.220	0.669	0.059	0.500	0.720	0.177	1/4-28	0.177	1.142	2890	1500	0.35
3/4	UR204-12	27.55	2.0472	1.339	0.669	0.059	0.563	0.776	0.197	1/4-28	0.177	1.339	3150	1780	0.42
1	UR205-16	30.55	2.4409	1.500	0.748	0.059	0.626	0.874	0.197	1/4-28	0.201	1.594	4410	2540	0.68
1-1/8	UR206-18	36.25	2.8346	1.689	0.787	0.079	0.689	1.000	0.236	5/16-24	0.228	1.890	5820	3460	1.06
1-1/4	UR206-20														
1-1/4	UR207-20	46.15	3.1496	1.937	0.827	0.079	0.748	1.189	0.315	5/16-24	0.244	2.087	6590	4020	1.37
1-7/16	UR207-23														
1-1/2	UR208-24	57.55	47	31	17	1.5	12.7	18.3	4.5		4.5	29	1310	680	0.36
			52	34	17	1.5	14.3	19.7	5	M6X0.75	4.5	34	1430	800	0.42
			62	38.1	19	1.5	15.9	22.2	5		5.1	40.5	2000	1150	0.69
			72	42.9	20	2	17.5	25.4	6		5.8	48	2640	1570	1.07
			80	49.2	21	2	19	30.2	8	M8X1	6.2	53	2990	1830	1.38
			85	49.2	22	2	19	30.2	8		6.5	57.3	3350	2090	1.49

INTERCHANGES: UBG2-NL



**Eccentric Locking
Wide Inner Ring
Steel Cage
52100 Bearing Steel
0°F ~ 212°F
Contact Seal and Slinger
Inch and Metric**



Shaft Diam. (in.) d	AMI Unit #	List Price	Dimensions (in.)										Basic Load Rating (lbf.)		Weight (lb.)
			D	L	Bi	Be	r	n	T	W	K	ds(UNF)	Dynamic Cr	Static Cor	
1/2	UGW201-8	32.80	1.5748	1-15/32	1-3/32	0.591	0.039	35/64	0.157	1-1/8	17/32	1/4-28	2150	1080	0.35
5/8	UGW202-10	32.80	1.8504	1-23/32	1-11/32	0.669	0.059	43/64	0.177	1-5/16	17/32	1/4-28	2890	1500	0.46
3/4	UG204-12	41.10	2.0472	1-3/4	1-3/8	0.669	0.059	11/16	0.177	1-1/2	17/32	1/4-28	3150	1780	0.51
7/8	UG205-14	48.40	2.4409	1-29/32	1-7/16	0.748	0.059	23/32	0.201	1-3/4	5/8	5/16-24	4410	2540	0.82
15/16	UG205-15	63.70	2.8346	2-1/64	1-31/64	0.787	0.079	0.740	0.228	2-3/16	11/16	3/8-24	5820	3460	1.32
1	UG205-16	75.50	3.1496	2-7/32	1-11/16	0.827	0.079	27/32	0.244	2-3/8	23/32	3/8-24	6590	4020	1.68
1-1/8	UG206-18	82.50	3.3465	2-7/32	1-11/16	0.866	0.079	27/32	0.256	2-1/2	23/32	3/8-24	7420	4610	1.74
1-3/16	UG206-19	87.00	3.5433	2-15/32	1-15/16	0.906	0.079	31/32	0.256	2-3/4	23/32	3/8-24	7940	5220	2.01
1-1/4	UG206-20	118.10	3.9370	2-13/16	2-3/16	0.945	0.098	1-3/32	0.287	3	13/16	7/16-20	9700	6610	2.78
1-1/4	*UG207-20	147.40	4.3307	3-1/16	2-7/16	1.024	0.098	1-7/32	0.303	3-5/16	7/8	7/16-20	11800	8120	3.75
1-5/16	*UG207-21														
1-3/8	*UG207-22														
1-7/16	*UG207-23														
1-1/2	*UG208-24														
1-9/16	**UG208-25														
1-5/8	*UG209-26														
1-11/16	*UG209-27														
1-3/4	*UG209-28														
1-7/8	*UG210-30														
1-15/16	*UG210-31														
2	*UG210-32														
2	UG211-32														
2-1/8	UG211-34														
2-3/16	UG211-35														
2-1/4	UG212-36														
2-3/8	UG212-38														
2-7/16	UG212-39														
			Dimensions (mm)										Basic Load Rating (kgf.)		
20	UG204	32.80	47	43.7	34.2	17	1.5	17.1	4.5	33.3	13.5	M6x0.75	1310	680	0.47
25	UG205	41.10	52	44.4	34.9	17	1.5	17.5	4.5	38.1	13.5	M6x0.75	1430	800	0.51
30	UG206	48.40	62	48.4	36.5	19	1.5	18.3	5.1	44.5	15.9	M8x1	2000	1150	0.83
35	*UG207	63.70	72	51.1	37.6	20	2	18.8	5.8	55.6	17.5		2640	1570	1.34
40	*UG208	75.50	80	56.3	42.8	21	2	21.4	6.2	60.3	18.3	M10x1.25	2990	1830	1.69
45	*UG209	82.50	85	56.3	42.8	22	2	21.4	6.5	63.5	18.3		3350	2090	1.76
50	*UG210	87.00	90	62.7	49.2	23	2	24.6	6.5	69.9	18.3	M10x1.25	3600	2370	2.03
55	UG211	118.10	100	71.4	55.5	24	2.5	27.8	7.3	76.2	20.7	M12x1.5	4400	3000	2.81
60	UG212	147.40	110	77.8	61.9	26	2.5	31	7.7	84.2	22.3	M12x1.5	5350	3700	3.79

NOTE: *Double Lip (RD) and Triple Lip (RT) Seals are available for these sizes. Consult AMI for pricing and availability.

Example: UC207-20RD (Double Lip) or UC207-20RT (Triple Lip)

**Consult factory for availability

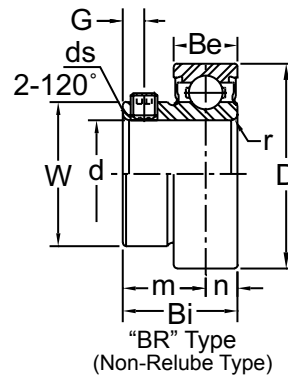
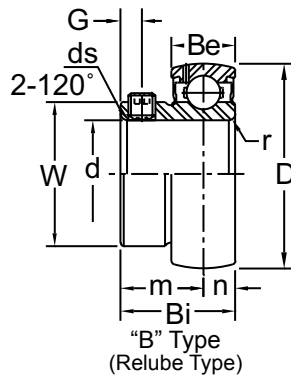
INTERCHANGES: VE-2 INS-SXR G1-KRRB YG2-NL YEL2 UEL2 R-E

B / BR

BALL BEARINGS



NORMAL DUTY



Set-Screw (120°) Locking
Narrow Inner Ring
Steel Cage
52100 Bearing Steel
0°F ~ 212°F
Contact Seal
Inch and Metric

Shaft Diam. (in.) d	AMI Unit #		List Price	Dimensions (in.)								Basic Load Rating (lbf.)		Weight (lb.)	
				D	Bi	Be	r	n	m	G	ds(UNF)	W	Dynamic Cr		Static Cor
1/2	B1-8	BR1-8	24.85	1.5748	0.886	0.472	0.039	0.236	0.630	0.157	10-32	0.972	2150	1080	0.22
5/8	B2-10	BR2-10													
3/4	B4-12	BR4-12	25.65	1.8504	0.972	0.551	0.059	0.276	0.697	0.177	10-32	1.142	2890	1500	0.26
7/8	B5-14	BR5-14	26.75	2.0472	1.063	0.591	0.059	0.295	0.767	0.197	1/4-28	1.339	3150	1780	0.35
15/16	B5-15	BR5-15													
1	B5-16	BR5-16	34.50	2.4409	1.193	0.630	0.059	0.315	0.878	0.197	1/4-28	1.594	4410	2540	0.55
1-1/16	B6-17	—													
1-1/8	B6-18	BR6-18													
1-3/16	B6-19	BR6-19													
1-1/4	B6-20	BR6-20	43.30	2.8346	1.295	0.669	0.079	0.335	0.961	0.236	5/16-24	1.890	5820	3460	0.84
1-1/4	B7-20	BR7-20													
1-5/16	B7-21	BR7-21													
1-3/8	B7-22	BR7-22													
1-7/16	B7-23	BR7-23	69.50	3.1496	1.398	0.709	0.079	0.354	1.043	0.315	5/16-24	2.087	6592	4020	1.08
1-1/2	B8-24	—													
				Dimensions (mm)								Basic Load Rating (kgf.)			
12	B1	BR1	24.85	40	22	12	1	6	16	4	M5X0.8	24.7	975	490	0.20
15	B2	BR2													
17	B3	BR3													
20	B4	BR4	25.65	47	24.7	14	1.5	7	17.7	4.5	M5X0.8	29	1310	680	0.27
25	B5	BR5	26.75	52	27	15	1.5	7.5	19.5	5	M6X0.75	34	1430	800	0.36
30	B6	BR6	34.50	62	30.3	16	1.5	8	22.3	5	M6X0.75	40.5	2000	1150	0.56
35	B7	BR7	43.30	72	32.9	17	2	8.5	24.4	6	M8X1	48	2640	1570	0.85
40	B8	—	69.50	80	35.5	18	2	9	26.5	8		53	2990	1830	1.09

INTERCHANGES: VS-1 INS-VSC YA-RRB SB2 B250 GAY-NPP SG2-NL AS2 L- SLS-1 SBG2-EL MSLN SL-

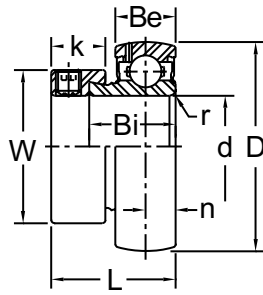


BALL BEARINGS

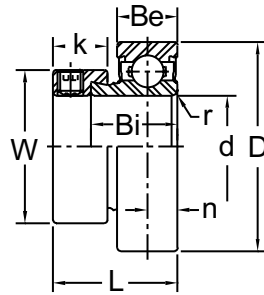
KH / KHR 200

NORMAL DUTY

Eccentric Locking
Narrow Inner Ring
Steel Cage
52100 Bearing Steel
0°F ~ 212°F
Contact Seal
Prelubricated / Relubricatable
Inch and Metric



“KH” Type
(Relube Type)



“KHR” Type
(Non-Relube Type)

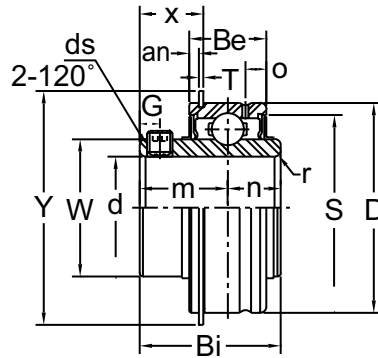


Shaft Diam. (in.) d	AMI Unit #		List Price	Dimensions (in.)								Basic Load Rating (lbf.)		Weight (lb.)	
				D	L	Bi	Be	r	n	W	K	ds(UNF)	Dynamic Cr		Static Cor
1/2	KH201-8	KHR201-8	27.30	1.5748	1-1/8	0.752	0.472	0.039	0.256	1-1/8	17/32	1/4-28	2150	1080	0.26
5/8	KH202-10	KHR202-10	27.30	1.8504	1-7/32	0.846	0.551	0.059	0.295	1-5/16	17/32	1/4-28	2890	1500	0.35
3/4	KH204-12	KHR204-12													
7/8	KH205-14	KHR205-14	29.80	2.0472	1-7/32	0.846	0.591	0.059	0.295	1-1/2	17/32	1/4-28	3150	1780	0.44
15/16	KH205-15	KHR205-15													
1	KH205-16	KHR205-16	39.30	2.4409	1-13/32	0.938	0.630	0.059	0.354	1-3/4	5/8	5/16-24	4410	2540	0.68
1-1/16	—	KHR206-17													
1-1/8	KH206-18	KHR206-18													
1-3/16	KH206-19	KHR206-19													
1-1/4	KH206-20	KHR206-20													
1-1/4	KH207-20	KHR207-20													
1-5/16	KH207-21	KHR207-21	52.80	2.8346	1-17/32	1.000	0.669	0.079	0.374	2-3/16	11/16	3/8-24	5820	3460	1.08
1-3/8	KH207-22	KHR207-22													
1-7/16	KH207-23	KHR207-23													
1-1/2	KH208-24	KHR208-24													
1-5/8	KH209-26	KHR209-26	61.80	3.1496	1-23/32	1.188	0.709	0.079	0.433	2-3/8	23/32	3/8-24	6590	4020	1.37
1-11/16	KH209-27	KHR209-27													
1-3/4	KH209-28	KHR209-28													
1-7/8	KH210-30	KHR210-30	78.60	3.5433	1-23/32	1.188	0.787	0.079	0.433	2-3/4	23/32	3/8-24	7940	5220	1.65
1-15/16	KH210-31	KHR210-31													
2	KH211-32	KHR211-32	103.10	3.9370	1-29/32	1.281	0.827	0.098	0.472	3	13/16	7/16-20	9700	6610	2.07
2-1/8	KH211-34	KHR211-34													
2-3/16	KH211-35	KHR211-35													
				Dimensions (mm)								Basic Load Rating (kgf.)			
12	KH201	KHR201	27.30	40	28.6	19.1	12	1	6.5	28.6	13.5	M6X0.75	975	490	0.27
15	KH202	KHR202													
17	KH203	KHR203													
20	KH204	KHR204	27.30	47	31	21.5	14	1.5	7.5	33.3	13.5	M6X0.75	1310	680	0.36
25	KH205	KHR205	29.80	52	31	21.5	15	1.5	7.5	38.1	13.5	M6X0.75	1430	800	0.45
30	KH206	KHR206	39.30	62	35.7	23.8	16	1.5	9	44.5	15.9	M8X1	2000	1150	0.69
35	KH207	KHR207	52.80	72	38.9	25.4	17	2	9.5	55.6	17.5		2640	1570	1.09
40	KH208	KHR208	61.80	80	43.7	30.2	18	2	11	60.3	18.3	M10X1.25	2990	1830	1.38
45	KH209	KHR209	69.80	85	43.7	30.2	19	2	11	63.5	18.3		3350	2090	1.45
50	KH210	KHR210	78.60	90	43.7	30.2	20	2	11	69.9	18.3	M10X1.25	3600	2370	1.67
55	KH211	—	103.10	100	48.7	32.5	21	2.5	12	75.8	20.7	M12X1.5	4400	3000	2.07

INTERCHANGES: VE-1 INS-SXV RA-RRB SA2 B220 GRA-NPP W2-UL YET2 AEL2 SLE-1 WB2-UL AELS



NORMAL DUTY



Set-Screw (120°) Locking
Wide Inner Ring
Steel Cage
52100 Bearing Steel
0°F ~ 212°F
Contact Seal and Slinger
Cylindrical O.D.
Prelubricated / Relubricatable
Inch and Metric

Shaft Diam. (in.) d	AMI Unit #	List Price	Dimensions (in.)														Basic Load Rating (lb.)		Weight (lb.)	
			D	Bi	Be	r	n	m	G	ds(UNF)	o	W	an	T	Y(max)	X	S	Dynamic Cr		Static Cor
1/2	SER201-8	37.40	1.8504	1-7/32	5/8	0.039	13/32	13/16	0.177	1/4-28	0.150	1.142	3/32	0.042	2.075	0.636	1.614	2890	1500	0.60
5/8	SER202-10																			0.55
3/4	SER204-12	37.40	1.8504	1-7/32	5/8	0.059	13/32	13/16	0.177	1/4-28	0.150	1.142	3/32	0.042	2.075	0.636	1.614	2890	1500	0.48
7/8	SER205-14																			
15/16	SER205-15	41.80	2.0472	1-3/8	3/4	0.059	33/64	55/64	0.197	1/4-28	13/64	1.339	3/32	0.042	2.280	0.620	1.811	3150	1780	0.62
1	SER205-16																			
1-1/16	SER206-17																			
1-1/8	SER206-18	47.80	2.4409	1-1/2	7/8	0.059	5/8	7/8	0.197	1/4-28	7/32	1.594	1/8	0.065	2.665	0.628	2.138	4410	2540	0.84
1-3/16	SER206-19																			
1-1/4	SER206-20																			
1-1/4	SER207-20																			
1-5/16	SER207-21	57.50	2.8346	1-11/16	15/16	0.079	11/16	1	0.236	5/16-24	7/32	1.890	1/8	0.065	3.095	0.721	2.500	5820	3460	1.23
1-3/8	SER207-22																			
1-7/16	SER207-23																			
1-1/2	SER208-24	72.00	3.1496	1-15/16	1-3/32	0.079	3/4	1-3/16	0.315	5/16-24	1/4	2.087	1/8	0.065	3.410	0.831	2.728	6590	4020	1.92
1-9/16	SER208-25																			
1-5/8	SER209-26																			
1-11/16	SER209-27	82.00	3.3465	1-15/16	1-3/32	0.079	3/4	1-3/16	0.315	5/16-24	1/4	2.256	1/8	0.065	3.606	0.831	2.925	7420	4610	2.09
1-3/4	SER209-28																			
1-7/8	SER210-30	91.90	3.5433	2-1/32	1-1/8	0.079	3/4	1-9/32	0.354	3/8-24	19/64	2.480	1/8	0.095	3.799	0.939	3.138	7940	5220	2.27
1-15/16	SER210-31																			
2	SER211-32																			
2-1/8	SER211-34	120.50	3.9370	2-3/16	1-3/16	0.098	7/8	1-5/16	0.354	3/8-24	19/64	2.756	1/8	0.095	4.193	0.939	3.571	9700	6610	2.67
2-3/16	SER211-35																			
2-1/4	SER212-36																			
2-3/8	SER212-38	142.70	4.3307	2-9/16	1-1/4	0.098	1	1-9/16	0.394	3/8-24	19/64	3.031	1/8	0.095	4.591	1.158	3.937	11800	8160	3.70
2-7/16	SER212-39																			
			Dimensions (mm)														Basic Load Rating (kgf.)			
12	SER201																			
15	SER202	40.60	47	31	15.9	1	10.3	20.7	4.5	M6X0.75	3.8	29	2.38	1.07	52.7	16.15	41	1310	680	0.60
17	SER203																			0.56
20	SER204	40.60	47	31	15.9	1.5	10.3	20.7	4.5	M6X0.75	3.8	29	2.38	1.07	52.7	16.15	41	1310	680	0.48
25	SER205	45.45	52	34.9	19	1.5	13.1	21.8	5	M6X0.75	5.2	34	2.38	1.07	57.9	15.75	46	1430	800	0.62
30	SER206	52.00	62	38.1	22.2	1.5	15.9	22.2	5	M6X0.75	5.6	40.5	3.18	1.65	67.7	15.93	54.3	2000	1150	0.84
35	SER207	62.55	72	42.9	23.8	2	17.5	25.4	6	M8X1.0	5.6	48	3.18	1.65	78.6	18.32	63.5	2640	1570	1.23
40	SER208	78.25	80	49.2	27.8	2	19	30.2	8	M8X1.0	6.4	53	3.18	1.65	86.6	21.10	69.3	2990	1830	1.92
45	SER209	89.10	85	49.2	27.8	2	19	30.2	8	M8X1.0	6.4	57.3	3.18	1.65	91.6	21.10	74.3	3350	2090	2.09
50	SER210	99.85	90	51.6	28.6	2	19	32.6	9	M10X1.25	7.5	63	3.18	2.41	96.5	23.85	79.7	3600	2370	2.27
55	SER211	130.95	100	55.6	30.2	2.5	22.2	33.4	9	M10X1.25	7.5	70	3.18	2.41	106.5	23.85	90.7	4400	3000	2.67
60	SER212	155.10	110	65.1	31.8	2.5	25.4	39.7	10	M10X1.25	7.5	77	3.18	2.41	116.6	29.41	100	5350	3700	3.70

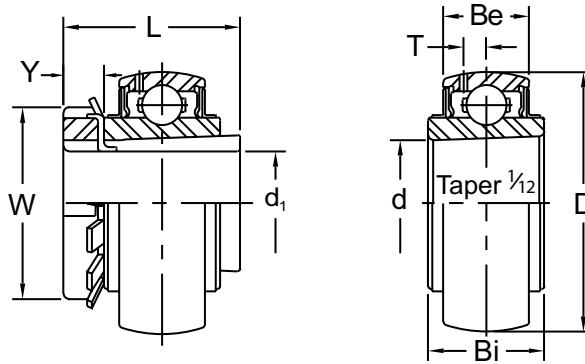
INTERCHANGES: VER-2 ER UBGL2-NL



BALL BEARINGS

UK 200+H

Tapered Adapter Sleeve
Wide Inner Ring
Steel Cage
51200 Bearing Steel
0°F ~ 212°F
Contact Seal and Slinger
Prelubricated / Relubricatable
Inch and Metric



NORMAL DUTY

Shaft Diam. (in.) d ₁	AMI Unit #	List Price	Dimensions (in.)								Basic Load Rating (lb _f)		Weight (lb.)
			D	L	d	Bi	Be	T	Y	W	Dynamic Cr	Static Cor	
3/4	UK205+HE2305	59.50	2.0472	1.378	0.9843	0.906	0.669	0.177	0.315	1.496	3150	1780	0.53
13/16	UK205+HA2305												
7/8	UK206+HS2306	70.10	2.4409	1.496	1.1811	1.024	0.748	0.201	0.315	1.772	4410	2540	0.88
15/16	UK206+HA2306												
1	UK206+HE2306												
1-1/8	*UK207+HS2307	82.95	2.8346	1.693	1.3780	1.063	0.787	0.228	0.354	2.047	5820	3460	1.17
1-3/16	*UK207+HA2307												
1-1/4	*UK208+HE2308	99.80	3.1496	1.811	1.5748	1.142	0.827	0.244	0.394	2.283	6590	4020	1.52
1-5/16	*UK208+HA2308												
1-3/8	*UK208+HS2308												
1-7/16	*UK209+HA2309	113.40	3.3465	1.969	1.7717	1.181	0.866	0.256	0.433	2.559	7420	4610	1.70
1-1/2	*UK209+HE2309												
1-5/8	*UK209+HS2309												
1-11/16	*UK210+HA2310	130.05	3.5433	2.165	1.9685	1.220	0.906	0.256	0.472	2.756	7940	5220	2.05
1-3/4	*UK210+HE2310												
1-7/8	UK211+HS2311	158.50	3.9370	2.323	2.1654	1.299	0.945	0.287	0.472	2.953	9700	6610	2.56
1-15/16	UK211+HA2311												
2	UK211+HE2311												
2-1/16	UK212+HA2312	189.75	4.3307	2.441	2.3622	1.417	1.024	0.303	0.512	3.150	11800	8120	3.24
2-1/8	UK212+HS2312												
2-3/16	UK213+HA2313	231.95	4.7244	2.559	2.5591	1.496	1.063	0.327	0.551	3.346	12900	9000	4.01
2-1/4	UK213+HE2313												
2-3/8	UK213+HS2313												
2-7/16	UK215+HA2315	340.60	5.1181	2.874	2.9528	1.614	1.181	0.362	0.591	3.858	14900	10800	5.71
2-1/2	UK215+HE2315												
2-11/16	UK216+HA2316	403.80	5.5118	3.071	3.1496	1.732	1.260	0.378	0.669	4.134	16300	11900	7.21
2-3/4	UK216+HE2316												
2-15/16	UK217+HA2317	495.40	5.9055	3.228	3.3465	1.811	1.339	0.413	0.709	4.331	18700	13900	8.64
3	UK217+HE2317												
3-1/8	UK218+HS2318	590.75	6.2992	3.386	3.5433	1.929	1.417	0.437	0.709	4.724	21500	16100	10.31

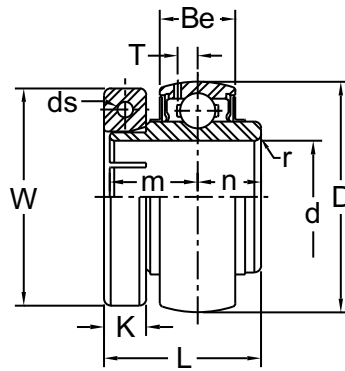
Shaft Diam. (mm)	AMI Unit #	List Price	Dimensions (mm)								Basic Load Rating (kg _f)		Weight (lb.)
			D	L	d	Bi	Be	T	Y	W	Dynamic Cr	Static Cor	
20	UK205+H2305	59.50	52	35	25	23	17	4.5	8	38	1430	800	0.54
25	UK206+H2306	70.10	62	38	30	26	19	5.1	8	45	2000	1150	0.89
30	*UK207+H2307	82.95	72	43	35	27	20	5.8	9	52	2640	1570	1.18
35	*UK208+H2308	99.80	80	46	40	29	21	6.2	10	58	2990	1830	1.54
40	*UK209+H2309	113.40	85	50	45	30	22	6.5	11	65	3350	2090	1.72
45	*UK210+H2310	130.05	90	55	50	31	23	6.5	12	70	3600	2370	2.07
50	UK211+H2311	158.50	100	59	55	33	24	7.3	12	75	4400	3000	2.59
55	UK212+H2312	189.75	110	62	60	36	26	7.7	13	80	5350	3700	3.28
60	UK213+H2313	231.95	120	65	65	38	27	8.3	14	85	5850	4100	4.06
65	UK215+H2315	340.60	130	73	75	41	30	9.2	15	98	6750	4900	5.78
70	UK216+H2316	403.80	140	78	80	44	32	9.6	17	105	7400	5400	7.29
75	UK217+H2317	495.40	150	82	85	46	34	10.5	18	110	8500	6300	8.74
80	UK218+H2318	590.75	160	86	90	49	36	11.1	18	120	9750	7300	10.5

NOTE: *Double Lip (RD) and Triple Lip (RT) Seals are available for these sizes. Consult AMI for pricing and availability.
Example: UC207-20RD (Double Lip) or UC207-20RT (Triple Lip)

INTERCHANGES: UK2



NORMAL DUTY



Concentric Locking
 Single Cap Screw Locking Collar
 Wide Inner Ring
 Steel Cage
 52100 Bearing Steel
 w/Black Oxide Finish
 0°F ~ 212°F
 Contact Seal and Slinger
 Prelubricated / Relubricatable
 Inch and Metric

Shaft Diam. (in.) d1	AMI Unit #	List Price	Dimensions (in.)										Basic Load Rating (lbf.)		Weight (lb.)	
			D	L	Be	r	n	m	T	W	K	ds(UNC)	Dynamic Cr	Static Cor		
3/4	UE204-12	62.40	1.8504	1.299	0.669	0.059	0.500	0.720	0.177	1.724	0.374	8-32	2890	1500	0.51	
7/8	UE205-14	64.50	2.0472	1.394	0.669	0.059	0.563	0.780	0.177	1.929	0.374	8-32	3150	1780	0.62	
15/16	UE205-15															
1	UE205-16															
1-1/8	UE206-18	85.30	2.4409	1.567	0.748	0.059	0.626	0.874	0.201	2.185	0.374	8-32	4410	2540	0.90	
1-3/16	UE206-19															
1-1/4	UE206-20															
1-1/4	UE207-20	113.80	2.8346	1.728	0.787	0.079	0.689	1.000	0.228	2.421	0.433	10-24	5820	3460	1.39	
1-3/8	UE207-22															
1-7/16	UE207-23															
1-1/2	UE208-24	116.00	3.1496	1.976	0.827	0.079	0.748	1.189	0.244	2.677	0.433	10-24	6590	4020	1.70	
1-11/16	UE209-27	131.50	3.3465	1.976	0.866	0.079	0.748	1.189	0.256	2.913	0.433	10-24	7420	4030	1.87	
1-3/4	UE209-28															
1-15/16	UE210-31	143.10	3.5433	2.071	0.906	0.079	0.748	1.283	0.256	3.189	0.571	1/4-20	7940	5220	2.34	
2	UE210-32															
2	UE211-32	167.20	3.9370	2.228	0.945	0.098	0.874	1.315	0.287	3.189	0.571	1/4-20	9700	6610	3.13	
2-3/16	UE211-35															
2-7/16	UE212-39	196.30	4.3307	2.622	1.024	0.098	1.000	1.563	0.303	4.055	0.687	5/16-18	11800	8120	4.54	
			Dimensions (mm)										Basic Load Rating (kgf.)			
20	UE204	61.30	47	33.0	17	1.5	12.7	18.3	4.5	43.8	9.5	M4x0.7x16	1310	680	0.51	
25	UE205	63.50	52	35.4	17	1.5	14.3	19.8	4.5	49.0	9.5		1430	800	0.62	
30	UE206	84.50	62	39.8	19	1.5	15.9	22.2	5.1	55.5	9.5		2000	1150	0.90	
35	UE207	111.20	72	43.9	20	2	17.5	25.4	5.8	64.0	11.0	M5x0.8x20	2640	1570	1.39	
40	UE208	115.30	80	50.2	21	2	19	30.2	6.2	68.0	11.0		2990	1830	1.70	
45	UE209	133.20	85	50.2	22	2	19	30.2	6.5	74.0	11.0		3350	2090	1.87	
50	UE210	143.80	90	52.6	23	2	19	32.6	6.5	81.0	14.5	M6x1x25	3600	2370	2.34	
55	UE211	184.70	100	56.6	24	2.5	22.2	33.4	7.3	92.0	14.5	M6x1x25	4400	3000	3.13	
60	UE212	199.90	110	66.6	26	2.5	25.4	39.7	7.7	103.0	17.4	M8x1.25x25	5350	3700	4.54	

INTERCHANGES: VB-2 INS-DL KMB-45 2-T

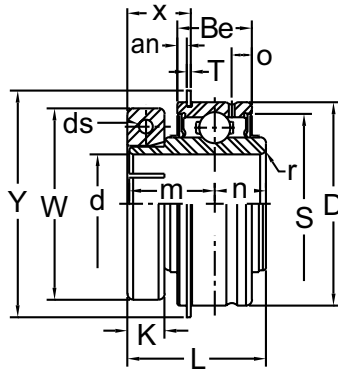


CYLINDRICAL O.D. ACCU-LOC BALL BEARINGS

SUE 200

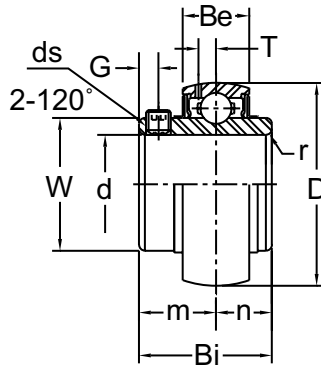
NORMAL DUTY

Concentric Locking
Single Cap Screw Locking Collar
Wide Inner Ring
Steel Cage
52100 Bearing Steel
w/Black Oxide Finish
0°F ~ 212°F
Contact Seal and Slinger
Cylindrical O.D.
Prelubricated / Relubricatable
Inch and Metric



Shaft Diam. (in.)	AMI Unit #	List Price	Dimensions (in.)														Basic Load Rating (lbf.)		Weight (lb.)	
			D	L	Be	r	O	n	m	W	K	an	T	Y(max)	X	S	ds(UNC)	Dynamic Cr		Static Cor
3/4	SUE204-12	62.40	1.8504	1.299	5/8	0.059	0.150	13/32	13/16	1.724	0.374	3/32	0.042	2.075	0.715	1.614	8-32	2890	1500	0.64
	SUE205-16	64.50	2.0472	1.394	3/4	0.059	13/64	33/64	55/64	1.929	0.374	3/32	0.042	2.280	0.671	1.811	8-32	3150	1780	0.82
1-1/8	SUE206-18	85.30	2.4409	1.567	7/8	0.059	7/32	5/8	7/8	2.185	0.374	1/8	0.065	2.665	0.695	2.138	8-32	4410	2540	1.04
1-3/16	SUE206-19																			
1-1/4	SUE206-20	113.80	2.8346	1.728	15/16	0.079	7/32	11/16	1	2.421	0.433	1/8	0.065	3.095	0.760	2.500	10-24	5820	3460	1.54
1-3/8	SUE207-22																			
1-7/16	SUE207-23	116.00	3.1496	1.976	1-3/32	0.079	1/4	3/4	1-3/16	2.677	0.433	1/8	0.065	3.410	0.870	2.728	10-24	6590	4020	2.23
1-1/2	SUE208-24																			
1-11/16	SUE209-27	131.50	3.3465	1.976	1-3/32	0.079	1/4	3/4	1-3/16	2.913	0.433	1/8	0.065	3.606	0.870	2.925	10-24	7420	4030	2.45
1-3/4	SUE209-28																			
1-15/16	SUE210-31	143.10	3.5433	2.071	1-1/8	0.079	19/64	3/4	1-9/32	3.189	0.571	1/8	0.095	3.799	0.978	3.138	1/4-20	7940	5220	2.87
2	SUE211-32																			
2-3/16	SUE211-35	167.20	3.9370	2.228	1-3/16	0.098	19/64	7/8	1-5/16	3.189	0.571	1/8	0.095	4.193	0.978	3.571	1/4-20	9700	6610	3.46
2-7/16	SUE212-39																			
			Dimensions (mm)														Basic Load Rating (kgf.)			
			D	L	Be	r	O	n	m	W	K	an	T	Y(max)	X	S	ds(UNC)	Dynamic Cr	Static Cor	Weight (lb.)
20	SUE204	61.30	47	33.0	15.9	1.5	3.8	10.3	20.6	43.8	9.5	2.38	1.07	52.7	18.2	41.0	M4x0.7	1310	680	0.64
25	SUE205	63.50	52	35.4	19.0	1.5	5.2	13.1	21.8	49.0	9.5	2.38	1.07	57.9	17.0	46.0		1430	800	0.82
30	SUE206	84.50	62	39.8	22.2	1.5	5.6	15.9	22.2	55.5	9.5	3.18	1.65	67.7	17.6	54.3		2000	1150	1.04
35	SUE207	111.20	72	43.9	23.8	2.0	5.6	17.5	25.4	64.0	11.0	3.18	1.65	78.6	19.3	63.5	M5x0.8	2640	1570	1.54
40	SUE208	115.30	80	50.2	27.8	2.0	6.4	19.0	30.2	68.0	11.0	3.18	1.65	86.6	22.1	69.3		2990	1830	2.23
45	SUE209	133.20	85	50.2	27.8	2.0	6.4	19.0	30.2	74.0	11.0	3.18	1.65	91.6	22.1	74.3		3350	2090	2.45
50	SUE210	143.80	90	52.6	28.6	2.0	7.5	19.0	32.5	81.0	14.5	3.18	2.41	96.5	24.8	79.7	M6x1	3600	2370	2.87
55	SUE211	184.70	100	56.6	30.2	2.5	7.5	22.2	33.3	92.0	14.5	3.18	2.41	106.5	24.8	90.7	M6x1	4400	3000	3.46
60	SUE212	199.90	110	66.6	31.8	2.5	7.5	25.4	39.7	103.0	17.4	3.18	2.41	116.6	30.9	100	M6x1.25	5350	3700	5.03

INTERCHANGES: ER-K ER-T



**Set-Screw (120°) Locking
Wide Inner Ring
Steel Cage
52100 Bearing Steel
0°F ~ 212°F
Contact Seal and Slinger
Prelubricated / Relubricatable
Inch and Metric**

MEDIUM DUTY

Shaft Diam. (in.) d	AMI Unit #	List Price	Dimensions (in.)										Basic Load Rating (lbf.)		Weight (lb.)
			D	Bi	Be	r	n	m	G	ds(UNF)	T	W	Dynamic Cr	Static Cor	
1	UCX05-16	53.70	2.4409	1.500	0.748	0.059	0.626	0.874	0.197	1/4-28	0.201	1.594	4410	2540	0.82
1-1/8	UCX06-18	61.50	2.8346	1.689	0.787	0.059	0.689	1.000	0.236	5/16-24	0.228	1.890	5820	3460	1.01
1-3/16	UCX06-19														
1-1/4	UCX06-20														
1-1/4	UCX07-20	76.50	3.1496	1.937	0.827	0.079	0.748	1.189	0.315	5/16-24	0.244	2.087	6590	4020	1.63
1-3/8	UCX07-22														
1-7/16	UCX07-23														
1-1/2	UCX08-24	85.20	3.3465	1.937	0.866	0.079	0.748	1.189	0.315	5/16-24	0.256	2.256	7420	4610	1.76
1-5/8	UCX09-26														
1-11/16	UCX09-27														
1-3/4	UCX09-28	96.90	3.5433	2.031	0.906	0.079	0.748	1.283	0.354	3/8-24	0.256	2.480	7980	5220	2.03
1-7/8	UCX10-30														
1-15/16	UCX10-31														
2	UCX10-32	116.20	3.9370	2.189	0.945	0.079	0.874	1.315	0.354	3/8-24	0.287	2.756	9700	6610	2.67
2	UCX11-32														
2-3/16	UCX11-35														
2-1/4	UCX11-36	157.80	4.3307	2.563	1.024	0.098	1.000	1.563	0.394	3/8-24	0.303	3.031	11800	8120	3.79
2-3/8	UCX12-38														
2-7/16	UCX12-39														
2-1/2	UCX13-40	223.50	4.9213	2.937	1.142	0.098	1.189	1.748	0.472	7/16-20	0.343	3.425	14000	9900	5.14
2-11/16	UCX14-43														
2-3/4	UCX14-44														
2-15/16	UCX15-47	299.00	5.5118	3.252	1.260	0.098	1.311	1.941	0.472	7/16-20	0.378	3.878	16300	11900	7.10
3	UCX15-48														
3-3/16	UCX16-51														
3-1/4	UCX17-52	429.00	6.2992	3.780	1.417	0.118	1.563	2.217	0.472	1/2-20	0.437	4.390	21500	16100	10.65
3-7/16	UCX17-55														
3-1/2	UCX18-56														
3-15/16	UCX20-63	745.00	7.4803	4.626	1.654	0.138	1.937	2.689	0.630	5/8-18	0.512	5.217	30200	23600	19.92
4	UCX20-64														

Shaft Diam. (mm)	AMI Unit #	List Price	Dimensions (mm)										Basic Load Rating (kgf.)		Weight (kg)
			D	Bi	Be	r	n	m	G	ds(Metric)	T	W	Dynamic Cr	Static Cor	
25	UCX05	53.70	62	38.1	19	1.5	15.9	22.2	5	M6x0.75	5.1	40.5	2000	1150	0.83
30	UCX06	61.50	72	42.9	20	1.5	17.5	25.4	6	M8x1	5.8	48	2640	1570	1.03
35	UCX07	76.50	80	49.2	21	2	19	30.2	8	M8x1	6.2	53	2990	1830	1.65
40	UCX08	85.20	85	49.2	22	2	19	30.2	8	M8x1	6.5	57.3	3350	2090	1.78
45	UCX09	96.90	90	51.6	23	2	19	32.6	9	M10x1.25	6.5	63	3600	2370	2.05
50	UCX10	116.20	100	55.6	24	2	22.2	33.4	9	M10x1.25	7.3	70	4400	3000	2.70
55	UCX11	157.80	110	65.1	26	2.5	25.4	39.7	10	M10x1.25	7.7	77	5350	3700	3.84
60	UCX12	186.00	120	65.1	27	2.5	25.4	39.7	10	M10x1.25	8.3	82.1	5850	4100	4.39
65	UCX13	223.50	125	74.6	29	2.5	30.2	44.4	12	M12x1.5	8.7	87	6350	4500	5.20
70	UCX14	244.00	130	77.8	30	2.5	33.3	44.5	12		9.2	91.5	6750	4900	5.73
75	UCX15	299.00	140	82.6	32	2.5	33.3	49.3	12	M12x1.5	9.6	98.5	7400	5400	7.18
80	UCX16	363.00	150	85.7	34	3	34.1	51.6	12		10.5	105	8500	6300	8.50
85	UCX17	429.00	160	96	36	3	39.7	56.3	12	M12x1.5	11.1	111.5	9750	7300	10.8
90	UCX18	571.00	170	104	38	3	42.9	61.1	14	M14x1.5	11.9	118	11100	8350	12.3
100	UCX20	745.00	190	117.5	42	3.5	49.2	68.3	16	M16x1.5	13	132.5	13700	10700	20.2

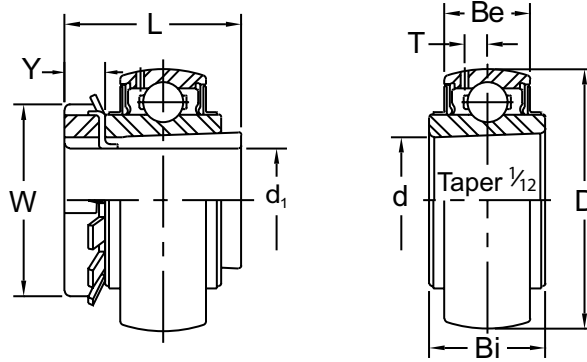
INTERCHANGES: VS-3 INS-SCM GYM1-KRRB B350 MB-35 YAR2 UCX 3-



BALL BEARINGS

UK X00+H

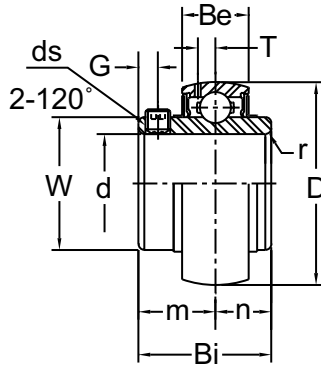
Tapered Adapter Sleeve
Wide Inner Ring
Steel Cage
52100 Bearing Steel
0°F ~ 212°F
Contact Seal and Slinger
Prelubricated / Relubricatable
Inch and Metric



Shaft Diam. (in.) d ₁	AMI Unit #	List Price	Dimensions (in.)								Basic Load Rating (lbf.)		Weight (lb.)
			D	L	d	Bi	Be	T	Y	W	Dynamic Cr	Static Cor	
3/4	UKX05+HE2305	62.90	2.4409	1.378	0.9843	1.024	0.748	0.201	0.315	1.496	4410	2540	0.83
13/16	UKX05+HA2305												
7/8	UKX06+HS2306	71.00	2.8346	1.496	1.1811	1.063	0.787	0.228	0.315	1.772	5820	3460	1.20
15/16	UKX06+HA2306												
1	UKX06+HE2306	86.15	3.1496	1.693	1.3780	1.142	0.827	0.244	0.354	2.047	6590	4020	1.56
1-1/8	UKX07+HS2307												
1-3/16	UKX07+HA2307	94.60	3.3465	1.811	1.5748	1.181	0.866	0.256	0.394	2.283	7420	4610	1.81
1-1/4	UKX08+HE2308												
1-5/16	UKX08+HA2308	106.20	3.5433	1.969	1.7717	1.220	0.906	0.256	0.433	2.559	7980	5220	2.10
1-3/8	UKX08+HS2308												
1-7/16	UKX09+HA2309	127.70	3.9370	2.165	1.9685	1.299	0.945	0.287	0.472	2.756	9700	6610	2.72
1-1/2	UKX09+HE2309												
1-5/8	UKX09+HS2309	160.20	4.3307	2.323	2.1654	1.417	1.024	0.303	0.472	2.953	11800	8120	3.43
1-7/8	UKX10+HA2310												
1-11/16	UKX10+HE2310	193.10	4.7244	2.441	2.3622	1.496	1.063	0.327	0.512	3.150	12900	9000	4.21
1-3/4	UKX11+HS2311												
1-7/8	UKX11+HS2311	247.00	4.9213	2.559	2.5591	1.575	1.142	0.343	0.551	3.346	14000	9900	4.66
1-15/16	UKX11+HA2311												
2	UKX11+HE2311	326.60	5.5118	2.874	2.9528	1.732	1.260	0.378	0.591	3.858	16300	11900	7.25
2-1/16	UKX12+HA2312												
2-1/8	UKX12+HS2312	400.20	5.9055	3.071	3.1496	1.811	1.339	0.413	0.669	4.134	18700	13900	8.61
2-3/16	UKX13+HA2313												
2-1/4	UKX13+HE2313	471.40	6.2992	3.228	3.3465	1.929	1.417	0.437	0.709	4.331	21500	16100	10.6
2-3/8	UKX13+HS2313												
2-7/16	UKX15+HA2315	632.90	6.6929	3.386	3.5433	2.047	1.496	0.469	0.709	4.724	24500	18400	11.4
2-1/2	UKX15+HE2315												
2-3/4	UKX16+HE2316	825.80	7.4803	3.819	3.9370	2.283	1.654	0.512	0.787	5.118	30200	23600	18.1
2-15/16	UKX17+HA2317												
3	UKX17+HE2317	632.90	6.6929	3.386	3.5433	2.047	1.496	0.469	0.709	4.724	24500	18400	11.4
3-1/8	UKX18+HS2318												
3-7/16	UKX20+HA2320	825.80	7.4803	3.819	3.9370	2.283	1.654	0.512	0.787	5.118	30200	23600	18.1
3-1/2	UKX20+HE2320												

		Dimensions (mm)								Basic Load Rating (kgf.)			
		D	L	d	Bi	Be	T	Y	W	Dynamic Cr	Static Cor		
20	UKX05+H2305	62	35	25	26	19	5.1	8	38	2000	1150	0.83	
25	UKX06+H2306	71	38	30	27	20	5.8	8	45	2640	1570	1.20	
30	UKX07+H2307	86	43	35	29	21	6.2	9	52	2990	1830	1.56	
35	UKX08+H2308	94	46	40	30	22	6.5	10	58	3350	2090	1.81	
40	UKX09+H2309	106	50	45	31	23	6.5	11	65	3600	2370	2.10	
45	UKX10+H2310	127	55	50	33	24	7.3	12	70	4400	3000	2.72	
50	UKX11+H2311	160	59	55	36	26	7.7	12	75	5350	3700	3.43	
55	UKX12+H2312	193	62	60	38	27	8.3	13	80	5850	4100	4.21	
60	UKX13+H2313	247	65	65	40	29	8.7	14	85	6350	4500	4.66	
65	UKX15+H2315	326	73	75	44	32	9.6	15	98	7400	5400	7.25	
70	UKX16+H2316	400	78	80	46	34	10.5	17	105	8500	6300	8.61	
75	UKX17+H2317	471	82	85	49	36	11.1	18	110	9750	7300	10.6	
80	UKX18+H2318	632	86	90	52	38	11.9	18	120	11100	8350	11.4	
90	UKX20+H2320	825	97	100	58	42	13	20	130	13700	10700	18.1	

INTERCHANGES: UKX



**Set-Screw (120°) Locking
Wide Inner Ring
Steel Cage
52100 Bearing Steel
0°F ~ 212°F
Contact Seal and Slinger
Prelubricated / Relubricatable
Inch and Metric**

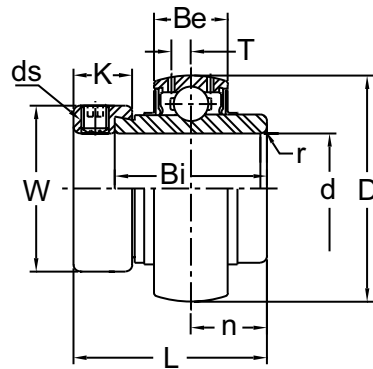
HEAVY DUTY

Shaft Diam. (in.) d	AMI Unit #	List Price	Dimensions (in.)										Basic Load Rating (lbf.)		Weight (lb.)
			D	Bi	Be	r	n	m	G	ds(UNF)	T	W	Dynamic Cr	Static Cor	
1	UC305-16	69.40	2.4409	1.496	0.827	0.079	0.591	0.906	0.236	1/4-28	0.240	1.453	4780	2450	0.97
1-3/16	UC306-19	78.70	2.8346	1.693	0.906	0.079	0.669	1.024	0.236	1/4-28	0.264	1.772	6020	3370	1.23
1-1/4	UC307-20	92.90	3.1496	1.890	0.984	0.098	0.748	1.142	0.315	5/16-24	0.291	1.988	7530	4320	1.56
1-7/16	UC307-23														
1-1/2	UC308-24	114.70	3.5433	2.047	1.063	0.098	0.748	1.299	0.394	3/8-24	0.323	2.205	9150	5380	2.20
1-11/16	UC309-27	146.90	3.9370	2.244	1.181	0.098	0.866	1.378	0.394	3/8-24	0.354	2.480	11570	6630	2.82
1-3/4	UC309-28														
1-7/8	UC310-30	181.50	4.3307	2.402	1.260	0.118	0.866	1.535	0.472	7/16-20	0.394	2.776	13900	8600	3.64
1-15/16	UC310-31														
2	UC311-32	227.20	4.7244	2.598	1.339	0.118	0.984	1.614	0.472	7/16-20	0.421	3.012	16100	10100	4.56
2-3/16	UC311-35														
2-7/16	UC312-39	276.20	5.1181	2.795	1.417	0.138	1.024	1.772	0.472	1/2-20	0.453	3.248	18300	11700	5.71
2-1/2	UC313-40	328.80	5.5118	2.953	1.496	0.138	1.181	1.772	0.472	1/2-20	0.480	3.484	20800	13500	6.94
2-11/16	UC314-43	466.20	5.9055	3.071	1.575	0.138	1.299	1.772	0.472	1/2-20	0.512	3.748	23400	15200	8.44
2-3/4	UC314-44														
2-15/16	UC315-47	515.80	6.2992	3.228	1.654	0.138	1.260	1.969	0.551	9/16-18	0.543	3.996	25600	17300	10.12
3	UC315-48														
3-3/16	UC316-51	706.50	6.6929	3.386	1.732	0.138	1.339	2.047	0.551	9/16-18	0.571	4.252	27650	19400	11.90
3-1/4	UC317-52	860.20	7.0866	3.780	1.811	0.157	1.575	2.205	0.630	5/8-18	0.591	4.508	29700	21700	14.50
3-7/16	UC318-55	1459.10	7.4803	3.780	1.890	0.157	1.575	2.205	0.630	5/8-18	0.626	4.764	32200	24000	16.18
3-1/2	UC318-56														
3-3/4	UC319-60	1066.60	7.8740	4.055	1.969	0.157	1.614	2.441	0.630	5/8-18	0.657	5.020	34400	26600	19.17
3-15/16	UC320-63	1299.10	8.4646	4.252	2.126	0.157	1.654	2.598	0.709	3/4-16	0.709	5.335	39000	31500	23.80
4	UC320-64														
4-7/16	UC322-71	1744.40	9.4488	4.606	2.362	0.157	1.811	2.795	0.709	3/4-16	0.827	5.984	46100	40200	31.90
			Dimensions (mm)										Basic Load Rating (kgf.)		
25	UC305	69.40	62	38	21	2	15	23	6	M6x0.75	6.1	36.9	2170	1120	0.98
30	UC306	78.70	72	43	23	2	17	26	6	M6x0.75	6.7	45	2730	1530	1.25
35	UC307	92.90	80	48	25	2.5	19	29	8	M8x1	7.4	50.5	3400	1960	1.58
40	UC308	114.70	90	52	27	2.5	19	33	10	M10x1.25	8.2	56	4150	2440	2.23
45	UC309	146.90	100	57	30	2.5	22	35	10	M10x1.25	9	63	5250	3000	2.85
50	UC310	181.50	110	61	32	3	22	39	12	M12x1.5	10	70.5	6300	3900	3.68
55	UC311	227.20	120	66	34	3	25	41	12		10.7	76.5	7300	4600	4.62
60	UC312	276.20	130	71	36	3.5	26	45	12	M12x1.5	11.5	82.5	8300	5300	5.78
65	UC313	328.80	140	75	38	3.5	30	45	12		12.2	88.5	9450	6100	7.02
70	UC314	466.20	150	78	40	3.5	33	45	12	M12x1.5	13	95.2	10600	6930	8.54
75	UC315	554.50	160	82	42	3.5	32	50	14	M14x1.5	13.8	101.5	11600	7840	10.3
80	UC316	706.50	170	86	44	3.5	34	52	14	M14x1.5	14.5	108	12540	8800	12.1
85	UC317	860.20	180	96	46	4	40	56	16		15	114.5	13500	9800	14.7
90	UC318	950.40	190	96	48	4	40	56	16	M16x1.5	15.9	121	14600	10900	16.4
95	UC319	1066.60	200	103	50	4	41	62	16		16.7	127.5	15600	12100	19.4
100	UC320	1299.10	215	108	54	4	42	66	18		18	135.5	17700	14300	24.1
105	UC321	1601.80	225	112	56	4	44	68	18	M18x1.5	19	142	18700	15600	27.2
110	UC322	1744.40	240	117	60	4	46	71	18		21	152	20900	18230	31.9
120	UC324	2343.50	260	126	64	4	51	75	18	M18x1.5	22	165	21100	18900	41.3
130	UC326	2939.90	280	135	68	5	54	81	20	M20x1.5	23	178	23400	21900	51.3
140	UC328	3821.30	300	145	73	5	59	86	20	M20x1.5	25	191.5	26000	25100	63.6

INTERCHANGES: UG3-L UC3



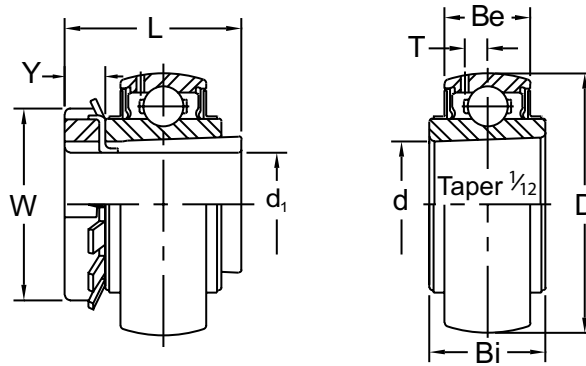
Eccentric Locking
Wide Inner Ring
Steel Cage
52100 Bearing Steel
0°F ~ 212°F
Contact Seal and Slinger
Prelubricated / Relubricatable
Inch and Metric



Shaft Diam. (in.) d	AMI Unit #	List Price	Dimensions (in.)										Basic Load Rating (lbf.)		Weight (lb.)
			D	L	Bi	Be	r	n	T	W	K	ds(UNF)	Dynamic Cr	Static Cor	
1-7/16	UG307-23	142.00	3.1496	2.031	1.500	0.984	0.098	0.720	0.291	2.150	0.689	3/8-24	7530	4320	1.60
1-1/2	UG308-24	176.50	3.5433	2.248	1.626	1.063	0.098	0.780	0.323	2.484	0.783	3/8-24	9150	5380	2.60
1-11/16	UG309-27	210.30	3.9370	2.311	1.689	1.181	0.098	0.780	0.354	2.740	0.783	3/8-24	11570	6630	3.20
1-15/16	UG310-31	260.20	4.3307	2.622	1.937	1.260	0.118	0.969	0.394	2.976	0.846	3/8-24	13900	8600	4.20
2-3/16	UG311-35	338.80	4.7244	2.874	2.189	1.339	0.118	1.094	0.421	3.252	0.874	7/16-20	16100	10100	5.20
2-7/16	UG312-39	446.80	5.1181	3.126	2.437	1.417	0.138	1.220	0.453	3.469	0.941	7/16-20	18300	11700	6.20
2-11/16	UG314-43	597.75	5.9055	3.626	2.689	1.575	0.138	1.342	0.512	3.984	1.189	9/16-18	23400	15300	10.0
2-15/16 3	UG315-47 UG315-48	677.00	6.2992	3.937	2.937	1.654	0.138	1.469	0.543	4.409	1.252	5/8-18	25600	17300	12.4 12.0
			Dimensions (mm)										Basic Load Rating (kgf.)		
45	UG309	210.30	100	58.7	42.9	30.0	2.5	19.8	9.0	69.6	19.9	M10x1.25	5250	3000	3.2
50	UG310	260.20	110	66.6	49.2	32.0	3.0	24.6	10.0	75.6	21.5	M10x1.25	6300	3900	4.0
55	UG311	338.80	120	73.0	55.6	34.0	3.0	27.8	10.7	82.6	22.2	M12x1.5	7300	4600	5.2
60	UG312	446.80	130	79.4	61.9	36.0	3.5	31.0	11.5	88.1	23.9	M12x1.5	8300	5300	6.4
70	UG314	597.75	150	92.1	68.3	40.0	3.5	34.1	13.0	101.2	30.2	M14x1.5	10600	6930	9.8
75	UG315	677.00	160	100.0	74.6	42.0	3.5	37.3	13.8	112.0	31.8	M16x1.5	11600	7840	12.2
90	UG318	847.70	190	115.9	87.3	48.0	4.0	43.6	15.9	132.7	35.0	M18x1.5	14600	10900	19.8

INTERCHANGES: GN-KRRB UEL3

HEAVY DUTY



**Tapered Adapter Sleeve
Wide Inner Ring
Steel Cage
52100 Bearing Steel
0°F ~ 212°F
Contact Seal and Slinger
Prelubricated / Relubricatable
Inch and Metric**

HEAVY DUTY

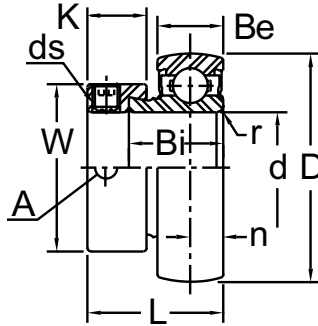
Shaft Diam. (in.) d ₁	AMI Unit #	List Price	Dimensions (in.)								Basic Load Rating (lb.)		Weight (lb.)
			D	L	d	Bi	Be	T	Y	W	Dynamic Cr	Static Cor	
3/4	UK305+HE2305	67.10	2.4409	1.378	0.9843	1.024	0.827	0.240	0.315	1.496	4780	2450	1.06
15/16	UK306+HA2306	81.20	2.8346	1.496	1.1811	1.142	0.906	0.264	0.315	1.772	6020	3370	1.30
1	UK306+HE2306												
1-1/8	UK307+HS2307	96.05	3.1496	1.693	1.3780	1.220	0.984	0.291	0.354	2.047	7530	4320	1.63
1-3/16	UK307+HA2307												
1-1/4	UK308+HE2308	115.80	3.5433	1.811	1.5748	1.339	1.063	0.323	0.394	2.283	9150	5380	2.23
1-5/16	UK308+HA2308												
1-3/8	UK308+HS2308												
1-7/16	UK309+HA2309	144.55	3.9370	1.969	1.7717	1.457	1.181	0.354	0.433	2.559	11570	6630	2.89
1-1/2	UK309+HE2309												
1-5/8	UK309+HS2309												
1-11/16	UK310+HA2310	176.95	4.3307	2.165	1.9685	1.575	1.260	0.394	0.472	2.756	13900	8600	3.70
1-3/4	UK310+HE2310												
1-7/8	UK311+HS2311	224.00	4.7244	2.323	2.1654	1.693	1.339	0.421	0.472	2.953	16100	10100	4.54
1-15/16	UK311+HA2311												
2	UK311+HE2311												
2-1/8	UK312+HS2312	269.75	5.1181	2.441	2.3622	1.811	1.417	0.453	0.512	3.150	18300	11700	5.58
2-3/16	UK313+HA2313												
2-1/4	UK313+HE2313	328.25	5.5118	2.559	2.5591	1.890	1.496	0.480	0.551	3.346	20800	13500	6.77
2-3/8	UK313+HS2313												
2-7/16	UK315+HA2315	464.65	6.2992	2.874	2.9528	2.126	1.654	0.543	0.591	3.858	25600	17300	10.45
2-1/2	UK315+HE2315												
2-11/16	UK316+HA2316	544.55	6.6929	3.071	3.1496	2.244	1.732	0.571	0.669	4.134	27650	19400	12.39
2-3/4	UK316+HE2316												
2-15/16	UK317+HA2317	658.25	7.0866	3.228	3.3465	2.362	1.811	0.591	0.709	4.331	29700	21700	14.46
3	UK317+HE2317												
3-1/8	UK318+HS2318	748.40	7.4803	3.386	3.5433	2.480	1.890	0.626	0.709	4.724	32200	24000	16.57
3-3/16	UK318+HA2318												
3-1/4	UK319+HE2319	999.90	7.8740	3.543	3.7402	2.598	1.969	0.657	0.748	4.921	34400	26600	19.22
3-7/16	UK320+HA2320	1142.35	8.4646	3.819	3.9370	2.835	2.126	0.709	0.787	5.118	39000	31500	23.80
3-1/2	UK320+HE2320												
3-15/16	UK322+HA2322	1606.45	9.4488	4.134	4.3307	3.150	2.362	0.827	0.827	5.709	46100	40200	31.74
4	UK322+HE2322												
			Dimensions (mm)								Basic Load Rating (kgf.)		
20	UK305+H2305	67.10	62	35	25	26	21	6.1	8	38	2170	1120	1.07
25	UK306+H2306	81.20	72	38	30	29	23	6.7	8	45	2730	1530	1.32
30	UK307+H2307	96.05	80	43	35	31	25	7.4	9	52	3400	1960	1.65
35	UK308+H2308	115.80	90	46	40	34	27	8.2	10	58	4150	2440	2.25
40	UK309+H2309	144.55	100	50	45	37	30	9.0	11	65	5250	3000	2.92
45	UK310+H2310	176.95	110	55	50	40	32	10.0	12	70	6300	3900	3.75
50	UK311+H2311	224.00	120	59	55	43	34	10.7	12	75	7300	4600	4.59
55	UK312+H2312	269.75	130	62	60	46	36	11.5	13	80	8300	5300	5.64
60	UK313+H2313	328.25	140	65	65	48	38	12.2	14	85	9450	6100	6.85
65	UK315+H2315	464.65	160	73	75	54	42	13.8	15	98	11600	7840	10.60
70	UK316+H2316	544.55	170	78	80	57	44	14.5	17	105	12540	8800	12.6
75	UK317+H2317	658.25	180	82	85	60	46	15.0	18	110	13500	9800	14.7
80	UK318+H2318	748.40	190	86	90	63	48	15.9	18	120	14600	10900	16.8
85	UK319+H2319	999.90	200	90	95	66	50	16.7	19	125	15600	12100	19.5
90	UK320+H2320	1142.35	215	97	100	72	54	18.0	20	130	17700	14300	24.1
100	UK322+H2322	1606.45	240	105	110	80	60	21.0	21	145	20900	18230	32.1
110	UK324+H2324	2022.95	260	112	120	86	64	22.0	22	155	21100	18900	40.2
115	UK326+H2326	2722.75	280	121	130	92	68	23.0	23	165	23400	21900	52.0
125	UK328+H2328	3487.00	300	131	140	98	73	25.0	24	180	26000	25100	64.2

INTERCHANGES: UK3



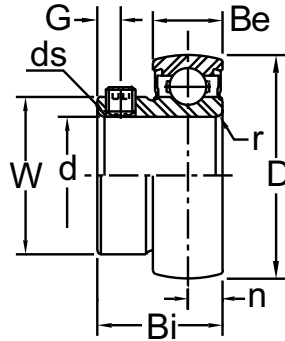
SILVER SERIES BALL BEARINGS U / URE / K / MU 000

Eccentric Locking
Extra Narrow Inner Ring
52100 Bearing Steel
0°F ~ 212°F
Contact Seal
Metric
URE Designates Cylindrical O.D.



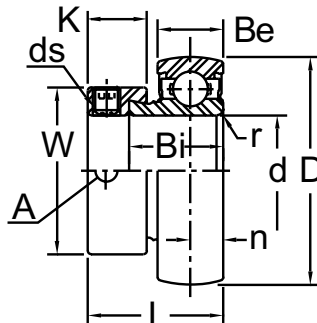
Shaft Diam. (mm)	AMI Unit #	List Price	Dimensions (mm)										Basic Load Rating (kgf.)		Weight (lb.)
			D	L	Bi	Be	r	n	K	W	A	ds	Dynamic Cr	Static Cor	
10	U000	27.10	26	17.5	11	8	0.5	4	8.5	17	3.5		470	200	0.07
12	U001	28.50	28	17.5	11	8	0.5	4	8.5	19	3.5	M4x0.7	520	245	0.08
15	U002	29.60	32	18.5	12	9	0.5	4.5	8.5	22	3.5		570	290	0.11
17	U003	34.40	35	20.5	13.5	10	0.5	5	9.5	25	3.5	M4x0.7	610	335	0.14
20	U004	37.90	42	24.5	16.5	12	1	6	11	30	5	M5x0.8	955	515	0.23
25	U005	44.40	47	25.5	17.5	12	1	6	12	36	5	M5x0.8	1030	595	0.30
30	U006	52.70	55	26.5	18.5	13	1.5	6.5	12	42	5	M5x0.8	1350	845	0.42
35	U007	56.20	62	29.5	20	14	1.5	7	13.5	48	5	M6x0.75	1625	1050	0.56
20 3/4	URE004 URE004-12	37.90	42	24.5	16.5	12	1	6	11	30	5	M5x0.8	955	515	0.23

Set-Screw Locking
Extra Narrow Inner Ring
52100 Bearing Steel
0°F ~ 212°F
Contact Seal
Metric



Shaft Diam. (mm)	AMI Unit #	List Price	Dimensions (mm)								Basic Load Rating (kgf.)		Weight (lb.)
			D	Bi	Be	r	n	G	W	ds	Dynamic Cr	Static Cor	
10	K000	31.50	26	14	8	0.5	4	3	14.75	M3x0.35	470	200	0.05
12	K001	34.40	28	14.5	8	0.5	4	3	17.35	M3x0.35	520	245	0.06
15	K002	35.60	32	16.5	9	0.5	4.5	3.5	20.02	M4x0.50	570	290	0.10
17	K003	37.85	35	17.5	10	0.5	5	3.5	23.10	M4x0.50	610	335	0.11
20	K004	44.20	42	21	12	1	6	4	27.00	M5x0.50	955	515	0.19
25	K005	46.10	47	22.5	12	1	6	4.5	31.70	M5x0.50	1030	595	0.22
30	K006	56.80	55	24.5	13	1.5	6.5	5	38.00	M5x0.50	1350	845	0.32

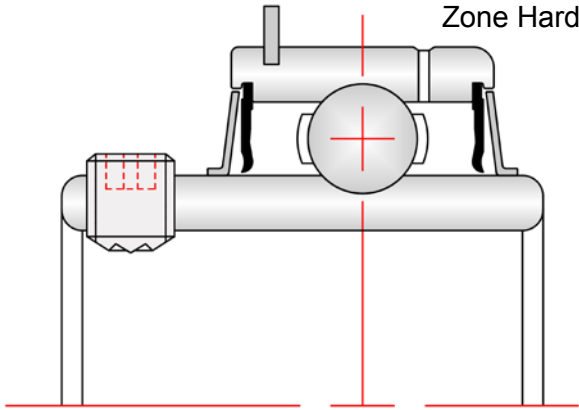
Eccentric Locking
Extra Narrow Inner Ring
440C Stainless Steel Bearing
0°F ~ 212°F
Contact Seal
Metric



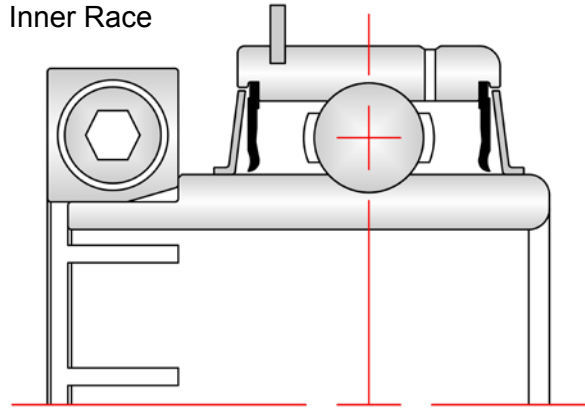
Shaft Diam. (mm)	AMI Unit #	List Price	Dimensions (mm)										Basic Load Rating (kgf.)		Weight (lb.)
			D	L	Bi	Be	r	n	k	W	A	ds	Dynamic Cr	Static Cor	
10	MU000	82.00	26	17.5	11	8	0.5	4	8.5	17	3.5		400	160	0.07
12	MU001		28	17.5	11	8	0.5	4	8.5	19	3.5	M4x0.7	440	195	0.08
15	MU002		32	18.5	12	9	0.5	4.5	8.5	22	3.5		485	230	0.11
17	MU003	86.60	35	20.5	13.5	10	0.5	5	9.5	25	3.5	M4x0.7	520	270	0.14
20	MU004	96.60	42	24.5	16.5	12	1	6	11	30	5	M5x0.8	810	410	0.23
25	MU005	116.30	47	25.5	17.5	12	1	6	12	36	5	M5x0.8	875	475	0.30
30	MU006	149.50	55	26.5	18.5	13	1.5	6.5	12	42	5	M5x0.8	1150	675	0.42

“FS” Standard Features

- Set Screw (SER) or Accu-Loc (SUE)
- Bore Sizes: 1/2” to 2-7/16” (20 to 40mm)
- Low Drag/Non Contact Seal
- Oil Lubrication
- Stamped Steel Riveted Retainer
- 52100 Chrome Steel or 440C Stainless
- Zone Hardened Wide Inner Race



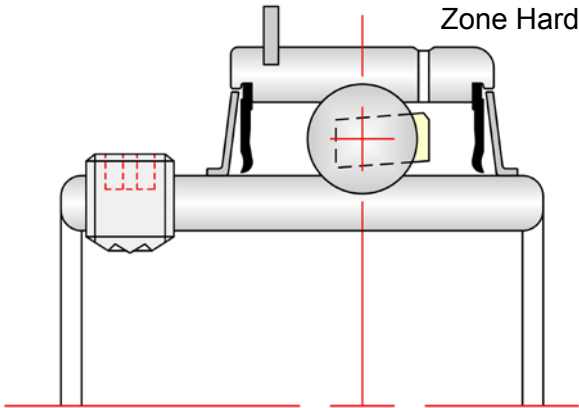
SER205-16 FS



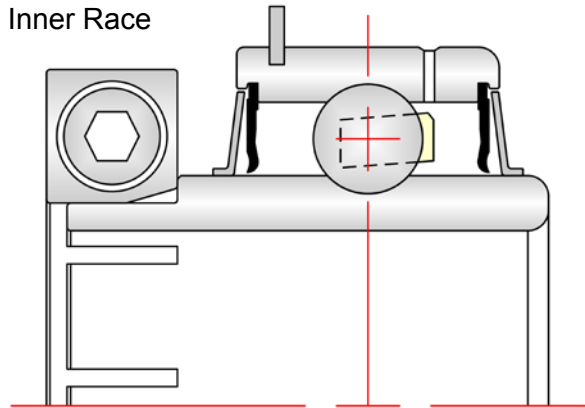
SUE205-16 FS

“FSX” Standard Features

- Set Screw (SER) or Accu-Loc (SUE)
- Bore Sizes: 1/2” to 2-7/16” (20 to 40mm)
- Low Drag/Non Contact Seal
- Oil Lubrication
- Reinforced, Stabilized Nylon Retainer
- 52100 Chrome Steel or 440C Stainless
- Zone Hardened Wide Inner Race



SER205-16 FSX



***SUE205-16 FSX**

*Call for availability

FREE SPINNING

Application Examples

- Packaging
- Printing Machinery
- In Line Systems
- Conveyor Equipment

Options

- Low-Torque Grease instead of Oil
- We can also make most bearing units Free-Spinning as well
- Contact Us for Price and Availability

For critical applications like pulp and paper converting, printing, and packaging, expensive downtime results from materials tearing due to excessive torque and vibration.

The path of the materials through these machines is very complex, composed of hundreds of rolls where many different processes are applied, such as printing, dyeing, curing, drying, folding, cutting, perforating, or finishing of some type.

These materials can be very sensitive and typically have low strength. If rotational torque and vibration are excessive, materials can tear, mis-feed, or jam, creating costly down-time.

AMI's free spinning bearings are engineered and designed to excel in these applications. Precise raceway curvatures combined with superb surface finishes, help to provide a low coefficient of friction. To further reduce rotational torque or drag, these bearings are lubricated with a low viscosity oil, or light consistency grease.

Finally, because the bearing seal is a key factor to the success of a bearing, AMI remains a market leader when it comes to the sealing arrangements.

Our free spinning bearings utilize a formed metal slinger in conjunction with a modified Buna-Nitrile seal forming an effective labyrinth design. Although there are two seals involved, there is actually no contact of the sealing elements with the rotating bearing components. Yet the unique design does an excellent job of keeping out contamination, while yielding the lowest possible rotational torque.

STARTING TORQUE CHART (gf•cm)			
SER/SUE "FS"	Avg	Max	Min
201-204	30	45	25
205	40	60	30
206	60	90	45
207	80	120	60
208	100	150	75
209	120	180	90
210	140	200	105
211	160	210	120
212	180	230	135

INTERCHANGE BY MANUFACTURER			
BORE	AMI Part #	MB	SealMaster
1 (in.)	SUE205-16FS SUE205-16FSX	ER-16MKFF	ER-16T XLO
25 (mm)	SUE205FS SUE205FSX	—	ER-205T XLO

High-Temperature Grease Alone-Does Not Make a High-Temperature Bearing!

HIGH TEMPERATURE GREASES

The Lubrication! This is what some bearing manufacturers consider to be the only difference between a standard and High-Temp insert. The use of High-Temperature grease alone does not create a High-Temperature bearing insert. For AMI it is one of the many important elements that make up a true High-Temp bearing. Listed below are the greases used in AMI's C4HR5 and C4HR23 bearing units:

C4HR5 = Max bearing operating temp (392°F) Yuken Super-Lube No.3/Oil Research Industrial, LTD. *soap based (compound) *max. operating temperature of the grease (+392°F)

C4HR23 = Max bearing operating temp (+450°F) Noxlub BF4026/Nok Klubber Co., LTD. *fluorinated base (proprietary mixture) *max. operating temperature of the grease (+500°F)

INTERNAL CLEARANCE

In the manufacturing of ball bearings, it is a standard practice for AMI to assemble its rings and balls with a specified internal clearance. In the case of High-Temp inserts, internal clearance is even more important in compensating for thermal expansion of bearings, shafts and housings. AMI uses internal clearance standard of (C4) on all of its High-Temp inserts.

SILICONE RUBBER SEALS

Most standard units are supplied with a nitrile rubber seal. Nitrile rubber is an excellent seal at temperatures ranging from 0 to 212 degrees F. Soon after that temperature, nitrile rubber starts to breakdown... Leaving no sealing element to retain the High-Temp lubrication. **SILICONE** seals have excellent temperature stability, exceptional release from sticking, resistance to aging, ozone, sunlight and outstanding water repellence. The use of **SILICONE** seals insures that the High-Temp lube stays where it belongs... in the bearing!

ZINC ANODIZED SLINGER

In order to allow the silicone to properly do its job as a seal, AMI uses a special **ZINC** anodized slinger to protect it. The purpose of a slinger is not only to protect the seal, but also to provide the first line of defense for the balls and retainer against contaminants. Using a standard cold rolled steel slinger in a High-Temp application may initially provide protection, but quite possibly corrode and lead to premature bearing failure. AMI's process of **ZINC** anodization produces a slinger with two key attributes... Heat and Abrasion Resistance. A resistance that will maintain its properties well past the operating temperature of the bearings.

High-Temperature Units (up to 400°F)		Pillow Block	4 Bolt, 2 Bolt Flange Units	Take-Up Units	Tap Base Units, 3 Bolt Flange Bracket Units	Piloted Flange Units
		UCP200C4HR5	UCF200C4HR5 UCFL200C4HR5	UCST200C4HR5	UCTB200C4HR5 UCFB200C4HR5	UCFCS200C4HR5 UCFCF200C4HR5
AMI Part #	AVAILABLE SIZES	PRICE	PRICE	PRICE	PRICE	PRICE
201~204	12mm, 15mm, 17mm, 20mm, 1/2"~3/4"	82.30	83.10	89.90	99.00	94.60
205	25mm, 7/8"~1"	94.70	95.90	107.60	111.70	109.10
206	30mm, 1-1/8"~1-1/4"	113.60	114.60	133.00	153.90	123.60
207	35mm, 1-1/4"~1-7/16"	135.40	138.10	164.30	176.90	148.00
208	40mm, 1-1/2"	159.30	162.50	195.10	198.20	175.00
209	45mm, 1-5/8"~1-3/4"	179.20	182.50	220.70	217.00	200.40
210	50mm, 1-7/8"~2"	205.30	204.30	273.80	250.40	218.50
211	55mm, 2"~2-3/16"	262.80	265.30	356.60	-	299.90
212	60mm, 2-1/4"~2-7/16"	331.40	329.30	450.60	-	358.00
213	65mm, 2-1/2"	397.80	397.80	560.80	-	414.10
214	70mm, 2-11/16"~2-3/4"	465.60	-	-	-	539.80
215	75mm, 2-15/16"~3"	534.20	-	-	-	656.50
216	80mm	633.90	-	-	-	731.40
217	85mm	769.40	-	-	-	963.90

High-Temperature Units (up to 450°F)		Pillow Block	4 Bolt, 2 Bolt Flange Units	Take-Up Units	Tap Base Units, 3 Bolt Flange Bracket Units	Piloted Flange Units
		UCP200C4HR23	UCF200C4HR23 UCFL200C4HR23	UCST200C4HR23	UCTB200C4HR23 UCFB200C4HR23	UCFCS200C4HR23 UCFCF200C4HR23
AMI Part #	AVAILABLE SIZES	PRICE	PRICE	PRICE	PRICE	PRICE
201~204	12mm, 15mm, 17mm, 20mm, 1/2"~3/4"	149.10	149.90	156.70	165.90	161.50
205	25mm, 7/8"~1"	173.20	174.40	186.20	190.20	187.60
206	30mm, 1-1/8"~1-1/4"	206.20	207.20	225.50	246.40	216.10
207	35mm, 1-1/4"~1-7/16"	248.10	250.90	277.10	289.40	260.80
208	40mm, 1-1/2"	291.60	294.90	327.40	330.50	307.30
209	45mm, 1-5/8"~1-3/4"	328.30	331.20	369.70	366.10	349.40
210	50mm, 1-7/8"~2"	370.20	369.20	438.70	415.30	383.40
211	55mm, 2"~2-3/16"	478.80	480.30	572.60	-	515.90
212	60mm, 2-1/4"~2-7/16"	603.90	601.80	745.10	-	630.50
213	65mm, 2-1/2"	721.80	721.80	884.90	-	738.20
214	70mm, 2-11/16"~2-3/4"	916.90	973.40	-	-	991.10
215	75mm, 2-15/16"~3"	1059.30	1135.10	-	-	1181.60

High-Temperature Bearing Inserts		UC200C4HR5 (up to 400°F)	UC200C4HR23 (up to 450°F)
AMI Part #	AVAILABLE SIZES	PRICE	PRICE
201~204	12mm, 15mm, 17mm, 20mm, 1/2"~3/4"	66.90	133.70
205	25mm, 7/8"~1"	78.60	157.10
206	30mm, 1-1/8"~1-1/4"	92.60	185.10
207	35mm, 1-1/4"~1-7/16"	112.80	225.50
208	40mm, 1-1/2"	132.30	264.70
209	45mm, 1-5/8"~1-3/4"	149.00	298.10
210	50mm, 1-7/8"~2"	164.90	329.80
211	55mm, 2"~2-3/16"	216.00	432.00
212	60mm, 2-1/4"~2-7/16"	272.50	545.00
213	65mm, 2-1/2"	324.00	648.10
214	70mm, 2-11/16"~2-3/4"	376.10	827.40
215	75mm, 2-15/16"~3"	437.60	962.70
216	80mm, 3-1/8"	509.80	1121.50
217	85mm, 3-1/4"	614.90	1352.70

NOTE: Medium Duty and Heavy Duty are also available - Call for more information.

MATERIALS

Bearing Materials:

Because of repetitive stresses to the rolling contact areas within a bearing, surface fatigue will occur after some duration of operation depending upon the operating conditions. To maximize to the useful life of a bearing by delaying the onset of material fatigue, the highest possible quality materials are used in bearing production with the following properties:

- High Levels of Hardness
- High Rolling Contact Fatigue Resistance
- Good Wear Resistance
- Good Mechanical Strength

The standard material for AMI bearing rings and rolling elements is vacuum-degassed, high-carbon, chrome bearing steel. For applications that operate in wash down or corrosive environments, stainless steel is used.

Table 1

Bearing Rings and Balls:	<u>C</u>	<u>Si</u>	<u>Mn</u>	<u>P</u>	<u>S</u>	<u>Cr</u>	<u>Mo</u>
SUJ2 (US Equivalent AISI 52100)	0.95 ~ 1.10	0.15 ~ 0.35	≤ 0.50	≤ 0.025	≤ 0.025	1.30 ~ 1.60	≤ 0.08
SUS440C Stainless Steel	0.95 ~ 1.20	≤ 1.0	≤ 1.0	≤ 0.040	≤ 0.030	16.0 ~ 18.0	≤ 0.75

Additionally we offer our bearings made with SUJ2 steel that are coated with black oxide, zinc, or Kanigen to impart additional corrosion resistance. Contact AMI for additional information on these coatings and their proper application.

Housing Materials:

Gray Iron

Our bearing housings are one-piece solid cast iron with a minimum tensile strength of 25,000 psi. They are designed to be able to accommodate the full dynamic and static loading of the bearing inserts they are designed to incorporate. Most cast housings are available with Nickel Plating to impart some corrosion resistance.

Ductile/Malleable Iron

For applications requiring additional strength, Ductile/Malleable Iron is available with a minimum strength of 40,000 psi. These should be requested for any application involving shock or impact loading.

Stamped Steel

We offer a wide variety of stamped steel housings for light duty applications, with the advantage of ball bearing construction in an economical low cost unit.

Thermoplastic and Stainless Steel

We also offer our housings made with Polybutylene Terephthalate Thermoplastic (PBT) and Stainless Steel. These products are featured in our "Corrosion Protection Bearing Units" catalog.

TOLERANCES

Inner Bearing Ring Bore Tolerances:

Table 2

Nominal Bore Diameter				Tolerance		
Over		Including		Minimum	Maximum	
in.	mm	in.	mm		in.	mm
0.3937	10	0.7087	18	0	+0.0006	+0.015
0.7087	18	1.2500	31.75	0	+0.0007	+0.018
1.2500	31.75	2.0000	50.8	0	+0.0008	+0.021
2.0000	50.8	3.1496	80	0	+0.0009	+0.024
3.1496	80	4.7244	120	0	+0.0011	+0.028
4.7244	120	7.0866	180	0	+0.0013	+0.033

Bearing Housing Spherical Bore Diameter Tolerances:

The standard spherical inside diameter of AMI Bearing Housings is known as a “J7” fit. The dimensional tolerance on spherical inside diameters of housings are classified into an “H7” for clearance fit, “K7” for interference fit, and “J7” for intermediate fit between “H7” and “K7”.

Radial Internal Clearance:

AMI uses “C0” radial internal clearance as a standard for all of our insert bearings (-4° to 212°F) AMI offers a wide range of internal clearance ranges for cold and high temperature applications.

Recommended Shaft Tolerances:

Table 3

Inch Size Shafting	Metric Size Shafting
Shaft Diameter up to 1-15/16” Nominal to -0.0005”	Shaft Diameter up to 45 mm Nominal to -0.013 mm
Shaft Diameters 2” to 4-7/16” Nominal to -0.0010”	Shaft Diameters 50 mm to 140 mm Nominal to -0.025 mm

Recommended Housing Bore Tolerances for SUE/SER Bearing Types:

Table 4

AMI Bearing #	Dimension in Inches (Millimeters)									
	O.D. of Bearings		Stationary Housing				Rotating Housing			
	Diameters		Diameters		Resultant Fit		Diameters		Resultant Fit	
SUE/SER 204	1.8504 (47.000)	1.8499 (46.988)	1.8503 (46.998)	1.8509 (47.013)	.0010 (0.025)	.0001 (0.003)	1.8498 (46.985)	1.8504 (47.000)	.0005 (0.013)	.0006 (0.015)
SUE/SER 205	2.0472 (52.000)	2.0466 (51.984)	2.0471 (51.996)	2.0476 (52.009)	.0010 (0.025)	.0001 (0.003)	2.0466 (51.984)	2.0471 (51.996)	.0005 (0.013)	.0006 (0.015)
SUE/SER 206	2.4409 (62.000)	2.4403 (61.984)	2.4408 (61.996)	2.4413 (62.009)	.0010 (0.025)	.0001 (0.003)	2.4403 (61.984)	2.4408 (61.996)	.0005 (0.013)	.0006 (0.015)
SUE/SER 207	2.8346 (72.000)	2.8340 (71.984)	2.8345 (71.996)	2.8350 (72.009)	.0010 (0.025)	.0001 (0.003)	2.8340 (71.984)	2.8345 (71.996)	.0005 (0.013)	.0006 (0.015)
SUE/SER 208	3.1496 (80.000)	3.1490 (79.985)	3.1495 (79.997)	3.1500 (80.010)	.0010 (0.025)	.0001 (0.003)	3.1490 (79.985)	3.1495 (79.997)	.0005 (0.013)	.0006 (0.015)
SUE/SER 209	3.3465 (85.000)	3.3457 (84.981)	3.3464 (84.999)	3.3470 (85.014)	.0013 (0.033)	.0001 (0.003)	3.3458 (84.983)	3.3464 (84.999)	.0007 (0.018)	.0007 (0.018)
SUE/SER 210	3.5433 (90.000)	3.5425 (89.980)	3.5432 (89.997)	3.5438 (90.013)	.0013 (0.033)	.0001 (0.003)	3.5426 (89.982)	3.5432 (89.997)	.0007 (0.018)	.0007 (0.018)
SUE/SER 211	3.9370 (100.000)	3.9362 (99.980)	3.9369 (99.997)	3.9375 (100.013)	.0013 (0.033)	.0001 (0.003)	3.9363 (99.982)	3.9369 (99.997)	.0007 (0.018)	.0007 (0.018)
SUE/SER 212	4.3307 (110.000)	4.3299 (109.980)	4.3306 (109.997)	4.3312 (110.013)	.0013 (0.033)	.0001 (0.003)	4.3300 (109.982)	4.3306 (109.997)	.0007 (0.018)	.0007 (0.018)

BEARING MOUNTING

Set-Screw Locking:

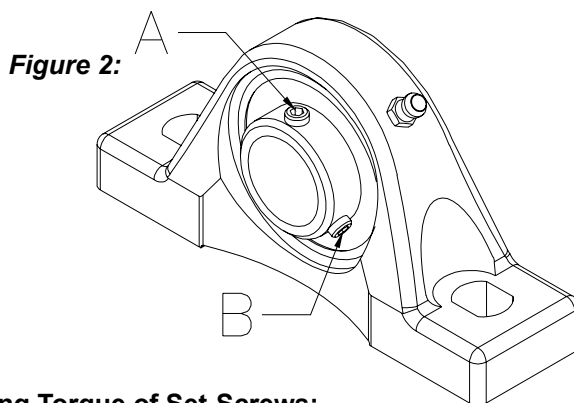
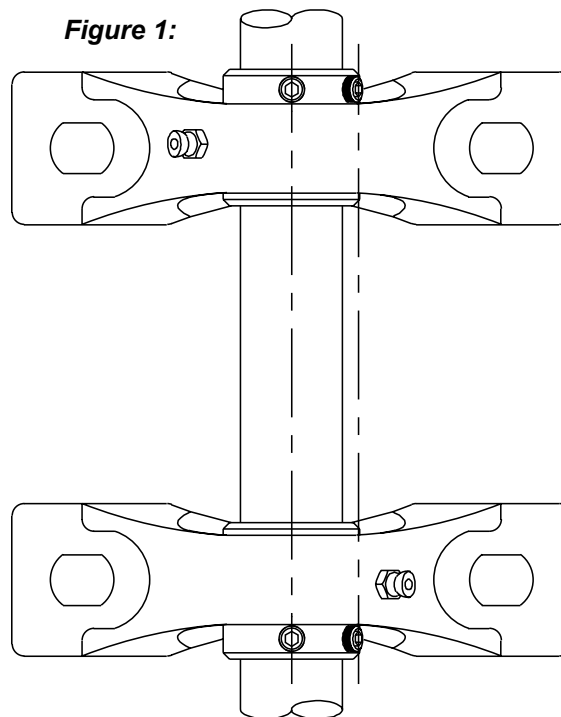
1. Inspect the Shaft
 - Measure the shaft to ensure it is within recommended tolerances per Table 3 on page 130:
 - Check for any nicks or burrs that might prevent the bearing from sliding on the shaft easily
 - Clean the mounting surface, then apply a film of light weight oil

2. Place the bearing on the shaft
 - Do not hammer the bearing onto the shaft

3. Bolt the housing to the mounting surface
 - The bearing and shaft must be aligned within 2°
 - Rotate the shaft to ensure it rotates smooth and freely
 - It is expected that plain washers will be used under mounting bolt heads to span the slot width

4. Align the setscrews of the bearings at both ends of the shaft
 - See Figure 1

5. Alternate Tightening of Setscrews
 - Tighten set screw “A” half of the recommended tightening torque (Figure 2)
 - Tighten set screw “B” all the way to the recommended tightening torque (Figure 2) per Table 5
 - Go back to set screw “A” and tighten it all the way to the recommended tightening torque with a variable torque wrench per Table 5



Recommended Tightening Torque of Set-Screws:

Table 5

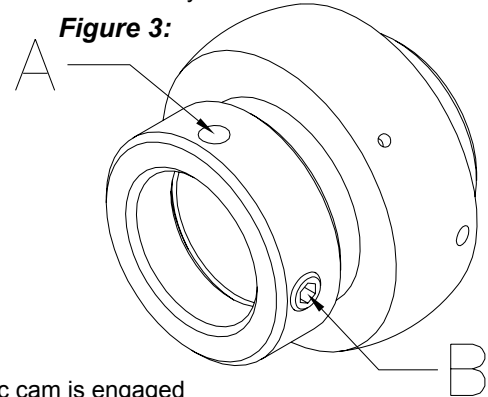
Applicable Bearing #					Recommended Tightening Torque (in-lb)	
					zone hardened	through hardened inner ring (reference for stainless inserts)
—	—	—	—	B1-3	—	21
—	—	—	—	B4	22	—
MUC201-203	UC201-203	UC305-306	UCX05	—	—	34
MUC204-206	UC204-206	—	—	B5-6	43	—
MUC207-209	—	UC307	UCX06-X08	—	—	74
—	UC207-209	—	—	B7	104	—
MUC210	—	UC308-309	UCX09-X12	—	—	143
—	UC210-213	—	—	—	207	—
—	UC214-216	—	—	—	346	—
—	UC217-218	UC310-314	UCX13-X17	—	—	246
—	—	UC315-316	UCX18	—	—	246
—	—	UC317-319	UCX20	—	—	589
—	—	UC320-324	—	—	—	589
—	—	UC326-328	—	—	—	991

Reference Through-Hardened Tightening Torque Specifications for Stainless Steel Inserts

BEARING MOUNTING (continued)

Eccentric Locking Collar:

1. Inspect the Shaft
 - Measure the shaft to ensure it is within recommended tolerances per Table 3 on page 130:
 - Check for any nicks or burrs that might prevent the bearing from sliding on the shaft easily
 - Clean the mounting surface, then apply a film of light weight oil
2. Place the bearing on the shaft
 - Do not hammer the bearing onto the shaft
3. Bolt the housing to the mounting surface
 - The bearing and shaft must be aligned within 2°
 - Rotate the shaft to ensure it rotates smooth and freely
 - It is expected that plain washers will be used under mounting bolt heads to span the slot width
4. Fasten the unit to the shaft
 - Place the eccentric locking collar on the track of the inner bearing ring
 - Rotate the collar by hand **in the direction of rotation** until the eccentric cam is engaged
 - Insert a drift pin or straight punch in the hole on the O.D. of the collar "A" and strike with a small hammer to positively engage the collar
 - Tighten the set screw "B" to the recommended tightening torque per Table 6 to hold the collar in the engaged position



Recommended Tightening Torque of Eccentric Locking Collar Set-Screws:

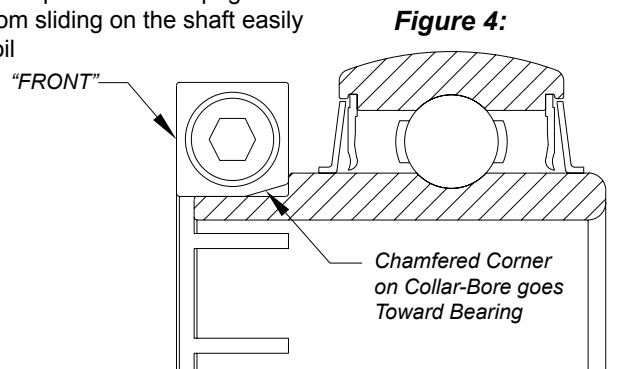
Table 6

Applicable Bearing #		Recommended Tightening Torque (in-lb)
UG204-205	KH(R)201-205	43
UG206	KH(R) 206	104
UG207-210	KH(R)207-210	208
UG211-212	KH(R)211	234

BEARING MOUNTING (continued)

Accu-Loc Concentric Locking Collar:

1. Inspect the Shaft
 - Measure the shaft to ensure it is within recommended tolerances per Table 3 on page 130:
 - Check for any nicks or burrs that might prevent the bearing from sliding on the shaft easily
 - Clean the mounting surface, then apply a film of light weight oil
2. Place the bearing on the shaft
 - Do not hammer the bearing onto the shaft
3. Bolt the housing to the mounting surface
 - The bearing and shaft must be aligned within 2°
 - Rotate the shaft to ensure it rotates smooth and freely
 - It is expected that plain washers will be used under mounting bolt heads to span the slot width
4. Fasten the unit to the shaft
 - Place the locking collar on the tangs of the inner bearing ring with the chamfered corner on the bore of the collar toward the bearing. The collar is stamped with the word "FRONT" this should be facing away from the bearing and readable to the installer.
 - Tighten the capscrew to the recommended tightening torque per Table 7 using a variable torque wrench



Recommended Tightening Torque of Accu-Loc Collar Capscrews:

Table 7

Applicable Bearing #	Recommended Tightening Torque (in-lb)
UE204-206	70
UE207-209	90
UE210-211	180
UE212	400

BEARING MOUNTING (continued)**Adapter Sleeve:**

Bearing units with adapter sleeves permit wider shaft tolerances and can be used in applications where vibration and shock is heavy, as this locking device has superior holding power over all other types.

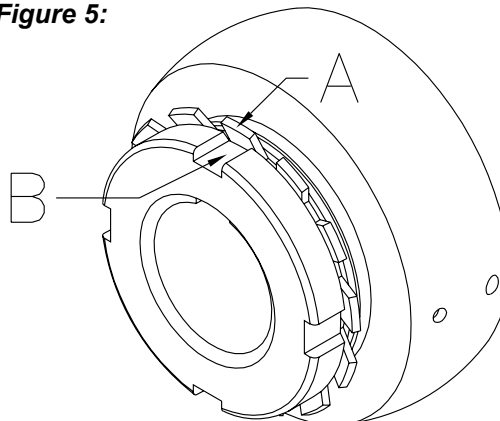
1. Inspect the Shaft
 - Measure the shaft to ensure it is within recommended tolerances per Table 8:

Recommended Shaft Tolerances for Bearing with Adapter Sleeves:

Table 8

Inch Size Shafting	Metric Size Shafting
Shaft Diameter up to 1-15/16" Nominal to -0.0020"	Shaft Diameter up to 45 mm Nominal to -0.050 mm
Shaft Diameters 2" to 4-7/16" Nominal to -0.0030"	Shaft Diameters 50 mm to 140 mm Nominal to -0.075 mm

- Check for any nicks or burrs that might prevent the bearing from sliding on the shaft easily
 - Clean the mounting surface, then apply a film of light weight oil
2. Mount the adapter sleeve
 - Slide the adapter sleeve onto the shaft with the threads on the sleeve facing the outboard side
 - Position the sleeve at the approximate location of the bearing centerline
 3. Mount the bearing
 - Apply a light coating of oil on the outside diameter of the sleeve and threads
 - Starting with the large end of the bearing bore, slide the bearing onto the adapter sleeve so that the taper of the bearing matches the taper of the sleeve
 4. Bolt the housing to the mounting surface
 - The bearing and shaft must be aligned within 2°
 - Rotate the shaft to ensure it rotates smooth and freely
 - It is expected that plain washers will be used under mounting bolt heads to span the slot width
 5. Install the Locknut and Lockwasher
 - Slide the lockwasher on the adapter sleeve with the inner prong of the lockwasher pointing toward the bearing
 - Install the locknut on the threads of the adapter sleeve with the chamfered face toward the bearing
 - Tighten the locknut using a spanner wrench to the recommend torque specifications per Table 9
 - Find a lockwasher tang "A" nearest to one of the slots "B" in the locknut. If a slot does not line up with one of the tangs on the lockwasher, back off the locknut until one does
 - Bend the tang of the lockwasher into the slot of the locknut. This will retain the correct position of the locknut

Figure 5:

ADAPTER SLEEVE LOCKNUT RECOMMENDED TIGHTENING TORQUE

Table 9

Applicable Bearing #	Normal Duty Application (ft-lbs)		Standard Duty Application (ft-lbs)	
	min	max	min	max
UK205	14	29	11	22
UK206	22	43	14	29
UK207	36	72	22	43
UK208	43	87	29	58
UK209	43	87	29	58
UK210	54	108	36	72
UK211	76	152	51	101
UK212	105	210	72	145
UK213	119	239	80	159
UK215	134	268	94	188
UK216	170	340	116	231
UK217	217	434	148	297
UK218	260	521	177	354

Applicable Bearing #	Medium Duty Application (ft-lbs)		Standard Duty Application (ft-lbs)	
	min	max	min	max
UKX05	25	51	14	29
UKX06	36	72	25	51
UKX07	43	87	29	58
UKX08	54	108	36	72
UKX09	65	130	43	87
UKX10	87	174	58	116
UKX11	112	224	76	152
UKX12	130	260	87	174
UKX13	174	347	119	239
UKX15	203	405	141	282
UKX16	246	492	166	333
UKX17	304	608	203	405
UKX18	347	694	231	463
UKX20	492	984	333	665

Applicable Bearing #	Heavy Duty Application (ft-lbs)		Standard Duty Application (ft-lbs)	
	min	max	min	max
UK305	22	43	14	29
UK306	33	65	22	43
UK307	43	87	29	58
UK308	58	116	40	80
UK309	80	159	54	108
UK310	112	224	72	145
UK311	130	260	90	181
UK312	166	333	112	224
UK313	195	391	130	260
UK315	260	521	184	369
UK316	325	651	217	434
UK317	383	767	260	521
UK318	448	897	297	593
UK319	521	1042	347	694
UK320	600	1201	434	868
UK322	890	1779	448	897
UK324	1049	2098	593	1186
UK326	1302	2604	723	1447
UK328	1555	3110	1049	2098

LUBRICATION

Proper lubrication is essential for adequate bearing life! A bearing cannot survive without it.

AMI Standard Lubricants:

AMI Bearings have an initial fill of lubricant when we manufacture them, therefore it is not necessary to lubricate prior to their initial operation. Below is a list of our standard used lubricants and their basic physical properties.

Table 10

APPLICATION	General Purpose	High Temperature		Cold Temperature	Free Spinning		Food Grade
PRODUCT NAME	Shell Alvania #3	Yuken Super-Lube #3	Kluber Noxlub BF4026	Shell AeroShell #7	Mobil Velocite 10	Amsoil AM-1	Citgo Clarion HTEP 2
PHYSICAL PROPERTY							
Lubricant Type	Grease	Grease	Grease	Grease	Oil	Grease	Grease
Color	Amber	-	White	Amber	-	Red	Off-White
NLGI Grade	3	3	2	2	N/A	1	2
Thickener Type	Lithium	Calcium Complex	PTFE	Microgel	N/A	Lithium Complex	Aluminum Complex
Base Oil Type	Mineral Oil	Silicone	PFPE	Synthetic Diester	Mineral Oil	PAO + Ester	Mineral Oil
Base Oil Viscosity @ 40°C	98 cSt	-	390 cSt	10.3 cSt	22 cSt	130 cSt	954 cSt
Base Oil Viscosity @ 100°C	9.4 cSt	-	39 cSt	3.1 cSt	4 cSt	16.5 cSt	101 cSt
Operating Temperature Range	-13°F ~ 265°F (-25°C ~ 130°C)	-4°F ~ 400°F (-20°C ~ 200°C)	-20°F ~ 500°F (-30°C ~ 260°C)	-100°F ~ 300°F (-70°C ~ 150°C)	-20°F ~ 250°F (-30°C ~ 120°C)	-40°F ~ 425°F (-70°C ~ 150°C)	-10°F ~ 325°F (-12°C ~ 160°C)

We have many other lubricants available as well, including several solid lubricant choices. Additionally, we can change the grease in most of our bearings to anything you specify. Consult with AMI for recommendations.

Relubrication Intervals:

Table 11

Bearing Operating Temperature	Environmental Condition		
	Clean	Dirty	Washdown or Extremely Dirty
°F			
Up to 122	12 months	6 months	3 months
Up to 158	6 months	2 months	1 month
Up to 212	3 months	2 weeks	1 week
Up to 248	6 weeks	1 week	3 days
Up to 302	2 weeks	3 days	daily

LUBRICATION (continued)

Compatibility:

Beware of Mixing Greases!

When two incompatible greases are mixed, either one of two things can happen. Either the mixture hardens and will not release any of the oil or the opposite effect; the mixture softens and releases all of the oil.

In either case, the end result is basically the same; there is no means to effectively lubricate the bearing.

Two good greases, when mixed together can make one very bad grease!

It is recommended to use the same type of grease that was originally supplied with the bearing. When changes in grease type are necessary, please consult your lubricant supplier or AMI engineering staff to determine the compatibility of the mixture

Table 12

C = Compatible B = Borderline I = Incompatible	Aluminum Complex	Barium	Bentonite Clay	Calcium	Calcium 12-Hydroxy	Calcium Complex	Calcium Sulfonate	Lithium	Lithium 12-Hydroxy	Lithium Complex	Polyurea	Sodium
	Aluminum Complex	C	I	I	I	C	I	B	I	I	C	I
Barium	I	C	I	I	C	I	B	I	I	I	I	I
Bentonite Clay	I	I	C	C	C	I	B	I	I	I	I	I
Calcium	I	I	C	C	C	B	I	C	B	B	I	I
Calcium 12-Hydroxy	C	C	C	C	C	B	B	C	C	C	I	I
Calcium Complex	I	I	I	B	B	C	C	I	I	C	C	I
Calcium Sulfonate	B	B	B	I	B	C	C	C	C	C	B	I
Lithium	I	I	I	C	C	I	C	C	C	C	I	B
Lithium 12-Hydroxy	I	I	I	B	C	I	C	C	C	C	I	I
Lithium Complex	C	I	I	B	C	C	C	C	C	C	I	B
Polyurea	I	I	I	I	I	C	B	I	I	I	C	I
Sodium	I	I	I	I	I	I	I	B	I	B	I	C

Load Capacity and Life of Bearings

Bearing “Life” is defined as the number of revolutions and or hours at a given speed, which the bearing runs before the first evidence of fatigue develops in the material of either ring or of any of the rolling elements.

Basic Dynamic Load Rating, Cr : The constant stationary radial load which a rolling bearing could theoretically endure for a basic rating life of one million revolutions.

Basic Static Load Rating, Cor : A load acting on a non-rotating bearing. Maximum load that can be applied to the bearing without permanently damaging the bearing.

The rating life of ball bearings is calculated using the following formulas:

$$L_{10} = \left(\frac{C}{P}\right)^3$$

$$L_{10h} = \left(\frac{C}{P}\right)^3 \times \frac{10^6}{60 \times n}$$

Where:

L_{10} : Rated Bearing Life in millions of revolutions

L_{10h} : Rated Bearing Life in operating hours

C : The bearings basic dynamic load rating in lbf or kgf

P : The equivalent applied radial load in lbf or kgf

n : Shaft speed in RPM

Additionally an adjusted rating life can be determined using the following formula:

$$L_{10} = a_1 \times a_2 \times a_3 \times L_{10}$$

a₁ Reliability Factor:

This is an adjustment factor where estimated fatigue life other than 90% is desired.

Table 13

RELIABILITY %	L_{na}	a_1
99	L_1	0.21
98	L_2	0.33
97	L_3	0.44
96	L_4	0.53
95	L_5	0.62
90	L_{10}	1
50	L_{50}	5

a₂ Material Factor:

AMI Bearings, Inc. uses AISI 52100 high chromium bearing steel or SUS 440C stainless steel for our rolling elements and bearing rings. A factor of 1.0 is used for these materials. If a reduction in material hardness is expected due to high operating temperatures, a reduced a₂ factor should be used. Consult with AMI engineers in these situations.

a₃ Operating Condition Factor:

This factor should take into account the adequacy of lubrication, presence of contamination, and unusual loading or mounting conditions.

Values less than 1.0 should be considered when the kinematic viscosity of the lubricant is less than 13 cSt at the operating temperature or when the rotational speed is exceptionally low.

Values greater than 1.0 can only be considered when the lubrication conditions are so favorable that the probability of failure caused by surface distress is greatly reduced.

Insert bearings are normally mounted on a shaft with a loose fit and rely on features such as inner bearing width and a locking device, the “American Bearing Manufacturers Association (ABMA)” recommends an a₃ factor of 0.456.

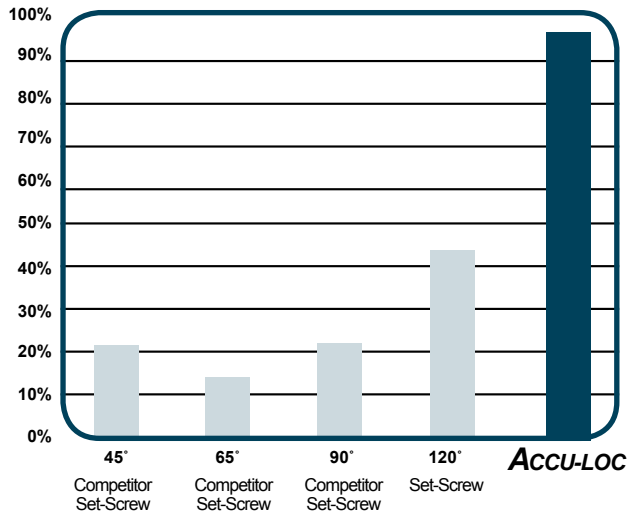
Consult with AMI engineers for proper selection of these life adjustment factors.

These tables show bearing load ratings at various RPM, based on 500 hours minimum life - 2,500 hours average life.

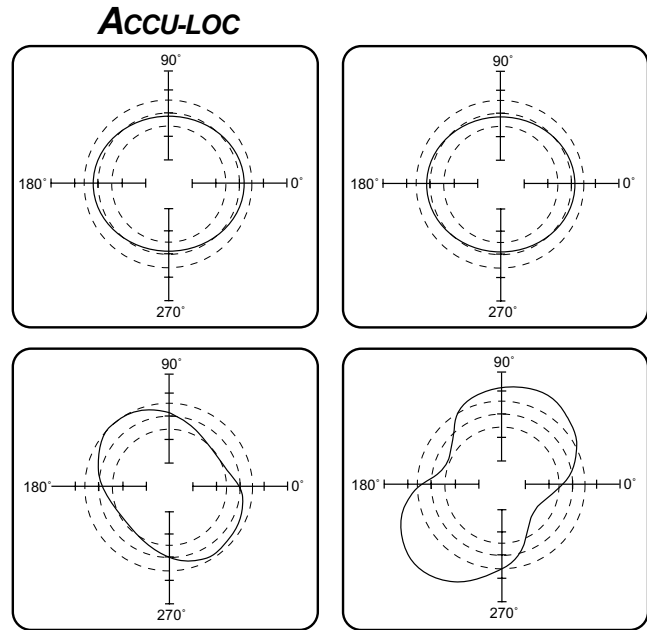
Table 14

AMI Bearing # NORMAL and MEDIUM DUTY					Radial Load Rating at Various RPM														rpm	Radial Load Rating in Pounds
UC200 UK200 SER200	UCX00 UKX00	B	UG200	KH200	33-1/3	50	100	250	500	750	1000	1200	1500	2000	2400	3600	5000			
UCW (201-203)	-	1-3	201-203	201-203	2150	1880	1490	1100	870	760	690	650	605	550	515	450	405			
201-204	-	4	204	204	2890	2520	2000	1480	1170	1020	930	875	810	740	695	605	545			
205	-	5	205	205	3150	2750	2190	1610	1280	1120	1020	955	885	805	760	660	595			
206	X05	6	206	206	4410	3850	3060	2250	1790	1560	1420	1340	1240	1130	1060	925	830			
207	X06	7	207	207	5820	5090	4040	2970	2360	2060	1870	1760	1640	1490	1400	1200				
208	X07	-	208	208	6590	5760	4570	3370	2670	2340	2120	2000	1850	1680	1590	1380				
209	X08	-	209	209	7420	6450	5120	3770	3000	2620	2380	2240	2080	1890	1780	1550				
210	X09	-	210	210	7980	6930	5500	4060	3220	2810	2550	2400	2230	2030	1910	1670				
211	X10	-	-	211	9700	8480	6730	4960	3930	3440	3120	2940	2730	2080	2330					
212	X11	-	-	-	11800	10300	8180	6030	4780	4180	3800	3570	3320	3010	2840					
213	X12	-	-	-	12900	11300	8940	6590	5230	4570	4150	3910	3630	3300	3100					
214	X13	-	-	-	14000	12200	9710	7150	5680	4960	4510	4240	3940	3580	3370					
215	X14	-	-	-	14900	13000	10300	7600	6040	5270	4790	4510	4180	3800	3580					
216	X15	-	-	-	16300	14300	11300	8340	6620	5780	5250	4940	4590	4170						
217	X16	-	-	-	18700	16400	13000	9570	7600	6640	6030	5680	5270	4790						
218	X17	-	-	-	21500	18800	14900	11000	8720	7620	6920	6510	6040	5490						
-	X18	-	-	-	24500	21400	17000	12500	9920	8670	7880	7410	6880							
-	X20	-	-	-	30200	26400	20900	15400	12200	10700	9720	9149	8490							
HEAVY DUTY																				
UC 300	UK 300				33-1/3	50	100	250	500	750	1000	1200	1500	2000	2400	3600	5000			
305	305				4780	4180	3220	2440	1940	1700	1540	1450	1350	1220	1150	1010	900			
306	306				6020	5260	4170	3080	2440	2130	1940	1820	1690	1540	1450	1260	1130			
307	307				7530	6550	5200	3830	3040	2660	2410	2270	2110	1920	1800	1570				
308	308				9150	7990	6340	4670	3710	3240	2950	2770	2570	2340	2200	1920				
309	309				11570	10100	8030	5910	4690	4100	3730	3510	3250	2960	2780	2430				
310	310				13900	12100	9630	7110	5630	4920	4470	4210	3910	3550	3340					
311	311				16100	14100	11200	8220	6530	5700	5180	4870	4530	4110	3870					
312	312				18300	16000	12700	9350	7420	6480	5890	5540	5150	4670	4400					
313	313				20800	18200	14400	10600	8450	7380	6710	6310	5860	5320	5010					
314	314				23400	20400	16200	11940	9480	8280	7520	7080	6580	5970	5620					
315	315				25600	22300	17700	13100	10400	9060	8230	7750	7190	6530						
316	316				27650	24100	19100	14100	11200	9760	8870	8350	7750	7040						
317	317				29700	26000	20600	15200	12100	10500	9580	9010	8370	7600						
318	318				32200	28100	22300	16400	13100	11400	10400	9750	9050							
319	319				34400	30000	23800	17600	13900	12200	11100	10400	9670							
320	320				39000	34100	27100	19900	15800	13800	12600	11800	11000							
321	321				41200	36000	28600	21100	16720	14600	13300	12500	11600							
322	322				46100	40300	32000	23500	18700	16300	14800	14000								
324	324				46500	40600	32300	27800	18900	16500	15000	14100								
326	326				51600	45100	35800	26400	20900	18300	16600	15600								
328	328				57300	50100	39700	29300	23200	20300	18400	17400								

Compare Accu-LOC[®] versus Set-Screws!



100% represents perfect roundness



Tests show the Accu-Loc maintains roundness and near perfect concentricity when compared to set-screw methods.

Table 15

Accu-LOC			L10 Life	Revolutions Per Minute - (RPM)													Radial Load Rating - (lbs)
Shaft Size	UE200	SUE 200		50	150	500	1000	1500	1750	2000	2500	3000	3500	4500	5500	6500	
3/4" 20mm	UE204-12 UE204	SUE204-12 SUE204	500	—	—	1279	1014	887	843	809	750	706	671	617	578	544	515
			3000	1514	1049	706	559	485	466	446	417	387	372	338	314	304	279
			15000	887	617	417	328	289	274	260	245	230	216	201	186	181	167
			20000	809	559	372	304	260	250	235	225	211	196	181	172	157	152
30000	706	485	328	260	230	216	211	196	181	172	157	152	137	132			
1" 25mm	UE205-16 UE205	SUE205-16 SUE205	500	—	—	1387	1103	965	916	877	813	764	730	666	622	588	559
			3000	1642	1142	764	613	534	505	485	446	421	397	368	348	319	309
			15000	965	666	446	358	314	299	284	265	250	235	216	201	186	181
			20000	877	613	407	328	284	270	255	245	230	216	201	186	172	167
30000	764	534	358	284	250	235	230	206	201	186	172	167	152	142			
1-1/8" 1-3/16" 1-1/4" 30mm	UE206-18 UE206-19 UE206-20 UE206	SUE206-18 SUE206-19 SUE206-20 SUE206	500	—	—	2063	1642	1431	1362	1303	1205	1137	1078	995	926	877	838
			3000	2440	1705	1137	907	794	750	715	666	627	598	554	505	485	461
			15000	1431	995	666	529	461	441	426	392	372	348	319	294	279	265
			20000	1303	907	603	485	426	402	377	358	333	319	294	274	260	245
30000	1137	794	529	426	372	348	333	309	294	279	260	235	221	216			
1-1/4" 1-3/8" 1-7/16" 35mm	UE207-20 UE207-22 UE207-23 UE207	SUE207-20 SUE207-22 SUE207-23 SUE207	500	—	—	2671	2122	1857	1769	1691	1573	1480	1401	1284	1205	1137	
			3000	3175	2195	1480	1171	1024	975	931	862	809	774	706	662	627	627
			15000	1857	1284	862	686	603	564	544	505	475	456	412	387	368	368
			20000	1691	1171	789	627	544	515	490	461	431	412	372	353	328	328
30000	1480	1024	686	544	475	456	431	402	382	358	328	309	289	289			
1-1/2" 40mm	UE208-24 UE208	SUE208-24 SUE208	500	—	—	3263	2597	2269	2151	2053	1911	1798	1710	1568	1470	1382	
			3000	3876	2680	1798	1426	1250	1186	1137	1049	995	941	862	809	764	764
			15000	2269	1568	1049	838	730	691	666	617	578	549	500	470	446	446
			20000	2053	1426	956	760	666	627	603	559	529	500	461	431	402	402
30000	1798	1250	838	666	578	549	529	485	461	436	402	372	353	353			
1-11/16" 1-3/4" 45mm	UE209-27 UE209-28 UE209	SUE209-27 SUE209-28 SUE209	500	—	—	3513	2788	2430	2313	2215	2058	1931	1828	1686	1573		
			3000	4155	2886	1931	1529	1343	1274	1215	1132	1068	1009	921	867		
			15000	2430	1686	1132	902	789	745	715	657	622	588	539	510		
			20000	2215	1529	1029	818	715	681	652	603	568	539	495	461		
30000	1931	1343	902	715	622	593	568	524	495	466	431	402					
1-15/16" 2" 50mm	UE210-31 UE210-32 UE210	SUE210-31 SUE210-32 SUE210	500	—	—	3836	3044	2654	2525	2418	2247	2108	1996	1840	1717		
			3000	4537	3151	2108	1669	1466	1391	1327	1236	1166	1102	1006	947		
			15000	2654	1840	1236	984	861	813	781	717	679	642	589	556		
			20000	2418	1669	1124	893	781	744	712	658	621	589	540	503		
30000	2108	1466	984	781	679	647	621	572	540	508	471	439					
2" 2-3/16" 55mm	UE211-32 UE211-35 UE211	SUE211-32 SUE211-35 SUE211	500	—	—	4341	3440	3014	2857	2729	2543	2386	2264	2087			
			3000	5140	3572	2386	1901	1656	1573	1499	1397	1308	1245	1147			
			15000	3014	2087	1397	1107	975	921	882	818	764	730	666			
			20000	2729	1901	1274	1009	882	838	804	745	696	657	608			
30000	2386	1656	1107	882	774	730	701	652	608	578	548						
2-7/16" 60mm	UE212-39 UE212	SUE212-39 SUE212	500	—	—	5228	4145	3621	3450	3293	3067	2871	2729				
			3000	6199	4302	2881	2283	1994	1896	1813	1686	1578	1499				
			15000	3621	2509	1686	1333	1171	1112	1063	985	921	877				
			20000	3293	2283	1529	1215	1063	1005	965	892	843	799				
30000	2881	1994	1333	1063	926	877	843	784	735	701							

Prices & Acceptance	All orders are for prompt acceptance only by the company's home office. In the event of an increase or decrease in company prices, the price on any order or contract will be the one in effect at time of shipment.
Taxes	Any sales, use, consumption or other tax applicable to the sale, purchase or use of the products is not included in the price shown on this order and shall be paid by the purchaser whenever due.
Terms	Payment terms are net cash within 30 days from date of invoice. All orders are subject to the approval of our credit department.
Minimum Charge	The minimum charge on any order will be \$50.00 net; parcel post, freight or express charges will be added. A \$5.00 service fee will be added to orders under \$50.00 net.
Parcel Post	All goods shipped by parcel post will be insured and postal charges will be added to the invoice.
Shipments	Shipments will be routed to incur the lowest available transportation charges. All premium rate shipping services, express (air or rail), airfreight, etc., will be utilized when the customer so specifies. The necessary extra charges will be added to our invoice to cover those premium services. If such shipments would normally qualify for prepayment of transportation charges by reason of products \$2500 or more, our invoice will reflect a deduction equal to the lowest obtainable transportation cost with excess prepaid charges added. All shipments, unless otherwise specified, are F.O.B. factory. Claims for all shortages, damage or non-delivery in transit shall be made by the consignees to the carrier. Request for proof of delivery must be submitted within 90 days from the date of shipment.
Freight Allowance	Freight will be allowed on one shipment to one destination of \$2500 or more net, F.O.B. factory.
Export Shipments	Transportation charges on export shipments will be prepaid to any United States port of exit if said shipment complies with our standard of domestic condition for freight allowance.
Deliveries & Cancellations	All orders are considered firm contracts. If we are unable to meet requested delivery requirements, and/or our expected dates of shipment, we shall not be liable for any claims for delays beyond our control, nor shall we accept cancellation or suspension unless mutually agreed upon in writing.
Packaging	We do not add extra charges for standard packing required by transport companies for domestic or non-ocean shipments. Additional charges may be applied to cover the cost of extra packing, special engineering, servicing or other unusual elements, including overtime authorized by purchaser, which have not been contemplated.
Export Packaging	Price on application.
Patents	We will defend and hold harmless purchasers of our products against charges of infringement or apparatus claims of the United States Patents issued at the time the product is ordered, providing such changes are based exclusively on mechanical infringement by a product designed and manufactured by us. Before this responsibility shall arise, we must be notified in writing and tendered the right to defend, settle or make any changes for the purpose of avoiding infringements. Under no circumstance will our liability exceed the purchase price of the product furnished by us.

NOTE: AN AUTHORIZED RMA FORM MUST ACCOMPANY ALL RETURNS

RETURNED MATERIALS - No goods will be accepted for return unless written authorization is issued from AMI Bearings, Inc. Goods that are returned for any reason other than defective material will be subject to inspection to ensure items are in a resalable condition. A 15% restocking fee plus freight costs will be deducted from the credit.

- The product must be shipped prepaid to our main facility located at 570 N. Wheeling Rd., Mount Prospect, IL
- The total allowable value of your corporate return will be 10% of your previous calendar year purchase. An offsetting order of equal value is required.
- A product that is 2+ years old will not be accepted for return (reference original purchase order).

AMI WARRANTS THAT THE MERCHANDISE SOLD BY IT HEREUNDER SHALL BE FREE FROM DEFECTS IN MATERIAL AND WORKMANSHIP FOR A PERIOD OF ONE (1) YEAR FROM THE DATE OF SHIPMENT OF THE GOODS BY AMI. THIS IS THE SOLE AND EXCLUSIVE WARRANTY GIVEN BY AMI WITH RESPECT TO THE GOODS AND IS IN LIEU OF AND EXCLUDES ALL OTHER WARRANTIES, EXPRESS OR IMPLIED, ARISING BY OPERATION OF LAW OR OTHERWISE, INCLUDING WITHOUT LIMITATION, MERCHANTABILITY OR FITNESS FOR A PARTICULAR PURPOSE WHETHER OR NOT THE PURPOSE OR USE HAS BEEN DISCLOSED TO AMI IN SPECIFICATIONS, DRAWINGS OR OTHERWISE, AND WHETHER OR NOT AMI PRODUCTS ARE SPECIFICALLY DESIGNED AND/OR MANUFACTURED BY AMI FOR BUYER'S USE OR PURPOSE.

THIS WARRANTY DOES NOT EXTEND TO ANY LOSSES OR DAMAGES DUE TO MISUSE, ACCIDENT, ABUSE, NEGLIGENCE, NORMAL WEAR AND TEAR, UNAUTHORIZED MODIFICATION OR ALTERATION, USE BEYOND RATED CAPACITY, OR IMPROPER INSTALLATION, MAINTENANCE OR APPLICATION. TO THE EXTENT THAT BUYER OR ITS AGENTS HAS SUPPLIED SPECIFICATIONS, INFORMATION, REPRESENTATION OF OPERATING CONDITIONS OR OTHER DATA TO AMI IN THE SELECTION OR DESIGN OF THE GOODS AND THE PREPARATION OF AMI'S QUOTATION, AND IN THE EVENT THAT ACTUAL OPERATING CONDITIONS OR OTHER CONDITIONS DIFFER FROM THOSE REPRESENTED BY BUYER, ANY WARRANTIES OR OTHER PROVISIONS CONTAINED HEREIN WHICH ARE AFFECTED BY SUCH CONDITIONS SHALL BE NULL AND VOID. IF WITHIN THIRTY (30) DAYS AFTER BUYER'S DISCOVERY OF ANY WARRANTY DEFECTS WITHIN THE WARRANTY PERIOD, BUYER NOTIFIES AMI THEREOF IN WRITING, AMI SHALL, AT ITS OPTION, REPAIR, OR REPLACE OR REFUND THE PURCHASE PRICE FOR THAT PORTION OF THE GOODS FOUND BY AMI TO BE DEFECTIVE. FAILURE BY BUYER TO GIVE SUCH WRITTEN NOTICE WITHIN THE APPLICABLE TIME PERIOD SHALL BE DEEMED AN ABSOLUTE AND UNCONDITIONAL WAIVER OF BUYER'S CLAIM FOR SUCH DEFECTS. BUYER ASSUMES ALL OTHER RESPONSIBILITY FOR ANY LOSS, DAMAGE, OR INJURY TO PERSONS OR PROPERTY ARISING OUT OF, CONNECTED WITH, OR RESULTING FROM THE USE OF GOODS, EITHER ALONE OR IN COMBINATION WITH OTHER PRODUCTS/COMPONENTS.

IT IS EXPRESSLY UNDERSTOOD THAT ANY TECHNICAL ADVICE FURNISHED BY AMI WITH RESPECT TO THE USE OF THE GOODS IS GIVEN WITHOUT CHARGE, AND AMI ASSUMES NO OBLIGATION OR LIABILITY FOR THE ADVICE GIVEN, OR RESULTS OBTAINED, ALL SUCH ADVICE BEING GIVEN AND ACCEPTED AT THE BUYER'S RISK. AMI BEARINGS, INC.

570 N. Wheeling Road
Mt. Prospect, IL 60056

MBU 9-08

Phone: (800) 882-8462
Fax: (847) 759-0630

TO: _____ _____ _____ _____	DATE: _____ ATTN: _____ SHIP VIA: _____
<i>(Phone # required for all Canada shipments)</i>	

ITEM:	QTY:
<u>Catalogs</u>	
Mounted Bearing Units	_____
Corrosion Protection Bearing Units	_____
<u>Brochures</u>	
High Temperature	_____
Heavy Duty	_____
<u>Flyers</u>	
Product Overview	_____
Accu-Loc	_____
Accu-Loc (Corrosion MZ20)	_____
Free Spinning	_____
Corrosion (RF Seal & Slinger)	_____
Shur-Seal Protection System	_____
Underwater Units	_____
Set Screw Locking	_____
Bearing Materials	_____

(All catalogs/literature available to download (PDF format) at: www.amibearings.com)



Our Mission

The success of AMI Bearings is due to the countless ongoing friendships we have with distributors, suppliers, end-users, representatives and employees. We believe that as AMI continues to grow, we must lift all people associated with our achievements. We will endeavor to ensure that the success of our friends is placed equal with that of our own.

Our Promise

The speed at which business moves today has changed the nature of procurement. Companies no longer can tolerate long lead times for essential components. AMI provides next-day delivery to 94% of the continental U.S. and Canada and 100% within two days. We actively stock all cataloged items throughout our warehouse network, and guarantee same day shipment of all orders received by 4:00pm CST.



More product choices to meet all customer needs! AMI provides the industry's broadcast line of actively stocked mounted bearings and housings - assuring that your critical needs can be quickly met.

- Our standard line of housing include:**
- 304 Stainless Steel
 - Special Alloy
 - Thermoplastic
 - Cast Iron
 - Pressed Steel (Zinc Plated)
 - Pressed Stainless Steel

- Our standard line of mounted bearings include:**
- All Stainless Steel
 - High-Temperature
 - Accu-Loc® (Black Oxide)
 - Concentric
 - Zinc Coated
 - 52100 Chrome Steel

The most complete line of Insert Bearings and Mounted Units to meet all your engineering demands and budgetary needs. Whether your application is inch, metric or soft metric.

There's only one choice... AMI

Accu-Loc Concentric Locking
Eccentric Collar
Adapter Sleeve 52100 Bearing Steel

AMI INSERTS

Zinc Plated 440C Stainless Steel
Set Screw Kanigen Plated

**Phone: (800) 882-8642
Fax: (847) 759-0630**

**570 North Wheeling Road
Mount Prospect, IL 60056**

PBT Thermoplastic Solid Base
Pressed Stainless Steel Nickel Plate

AMI HOUSINGS

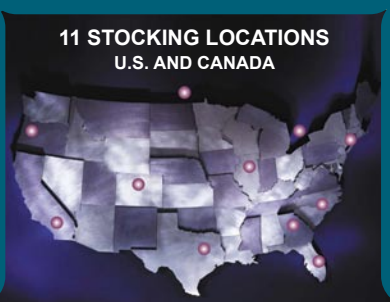
304 Stainless Steel Cast Steel
Cast Iron Malleable/Ductile Iron



Custom Solutions Customer Service
Direct Interchangeability
Engineered Quality Unequaled Value

WHY AMI?

Silver Series Normal Duty
Medium Duty Heavy Duty



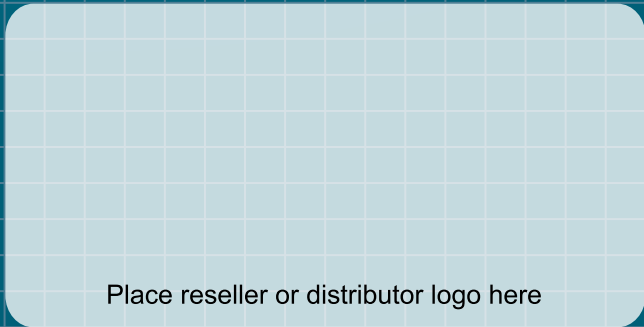
Soft Metric Metric Bores (10mm-140mm)
Inch Bores (1/2" - 4-7/16") 2D & 3D CAD Library

AMI SOLUTIONS

Patented Seal Designs Heat Stabilized
Zone Hardened HACCP Conscious
ISO Certified Insert Production

Catalog MBU 9-08

**570 North Wheeling Road
Mount Prospect, IL 60056
Phone: (847) 759-0620
Toll Free: (800) 882-8642
Fax: (847) 759-0630
www.amibearings.com**



Place reseller or distributor logo here